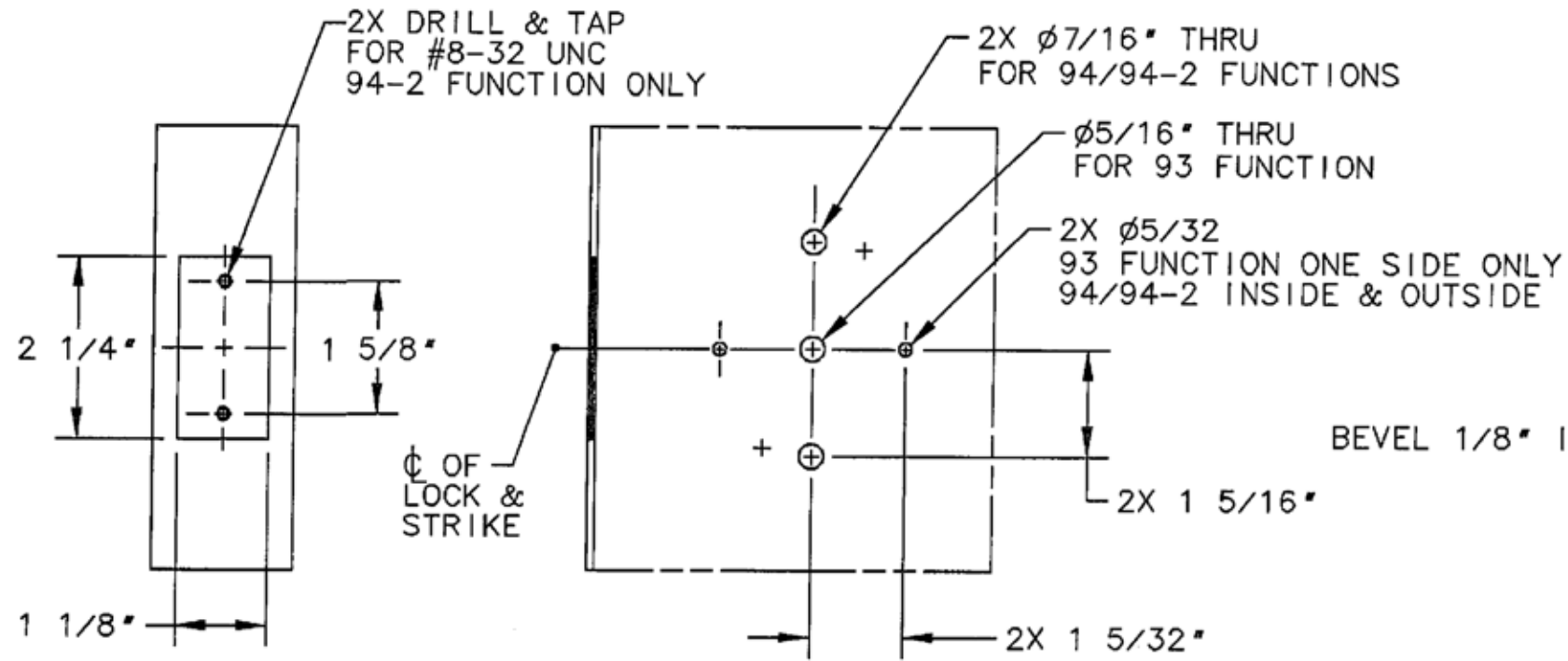
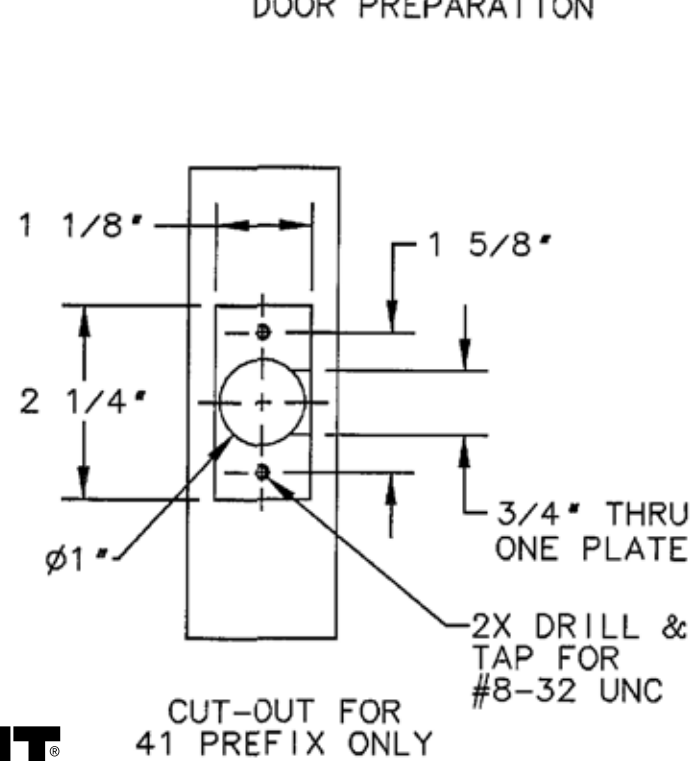
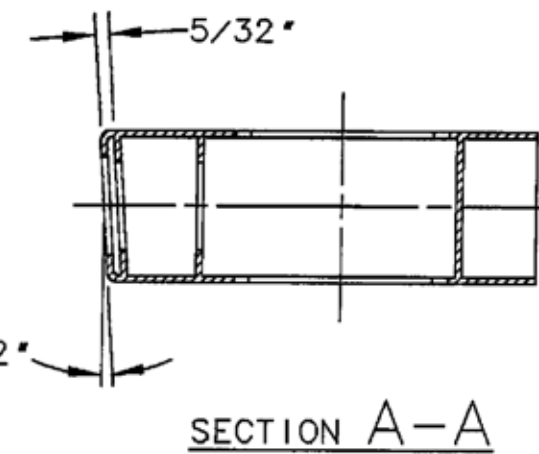


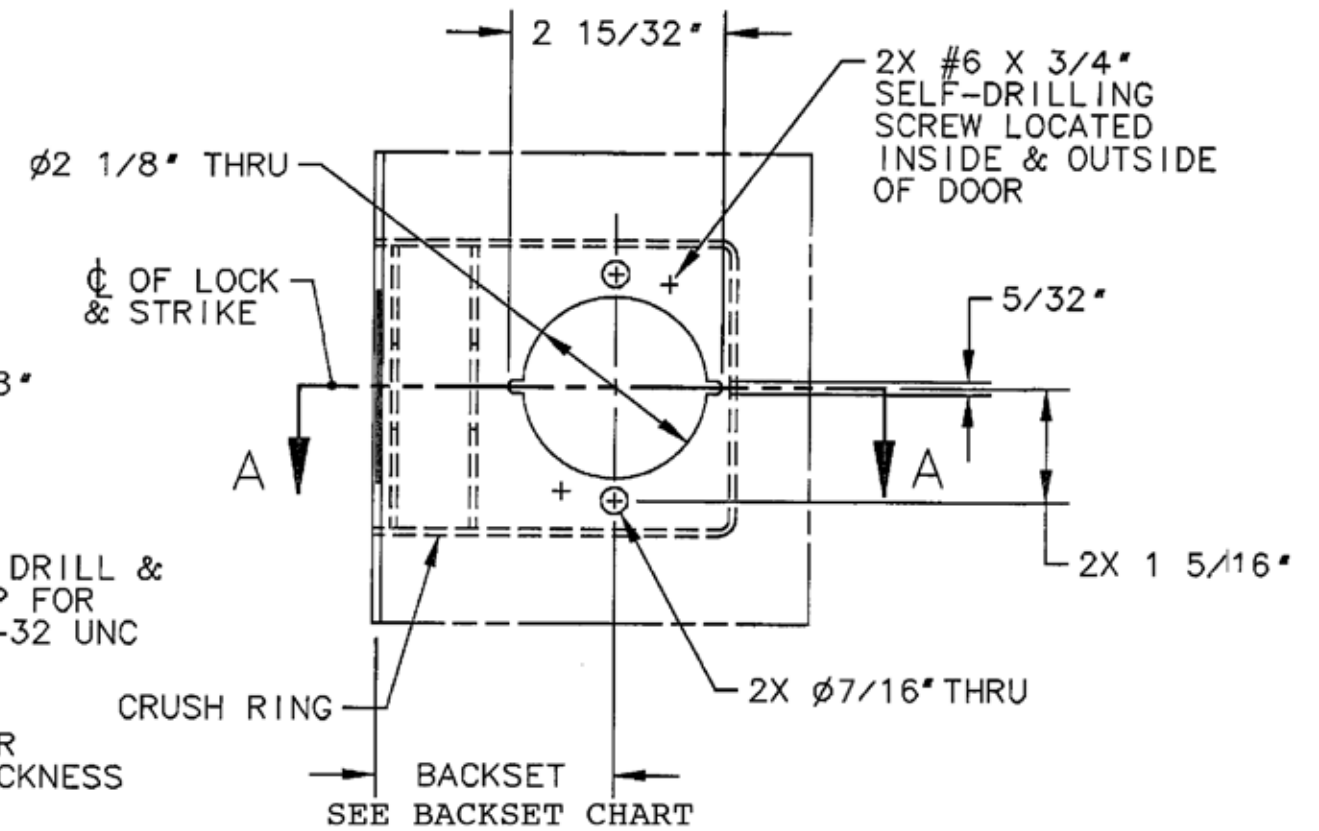
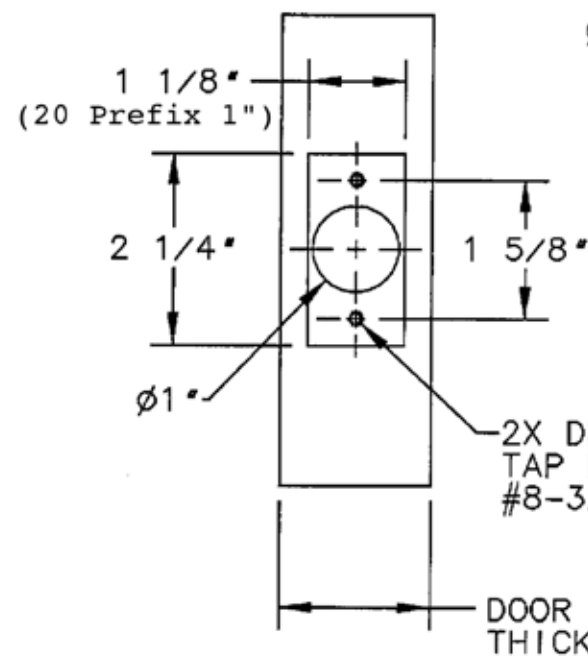
BACKSETS
2 3/4"
3 3/4"
5"
2 3/8"



93/94 FUNCTIONS  
DOOR PREPARATION



CUT-OUT FOR  
41 PREFIX ONLY



**SARGENT**

**ASSA ABLOY**

ASSA ABLOY, the global leader  
in door opening solutions

Copyright © 2013, 2016, Sargent Manufacturing Company, an ASSA ABLOY Group company. All rights reserved. Reproduction in whole or in part without the express written permission of Sargent Manufacturing Company is prohibited.

10 LINE BORED LOCK

RELEASE DATE  
**8/16**

TEMP. NO.  
**4375-1C**