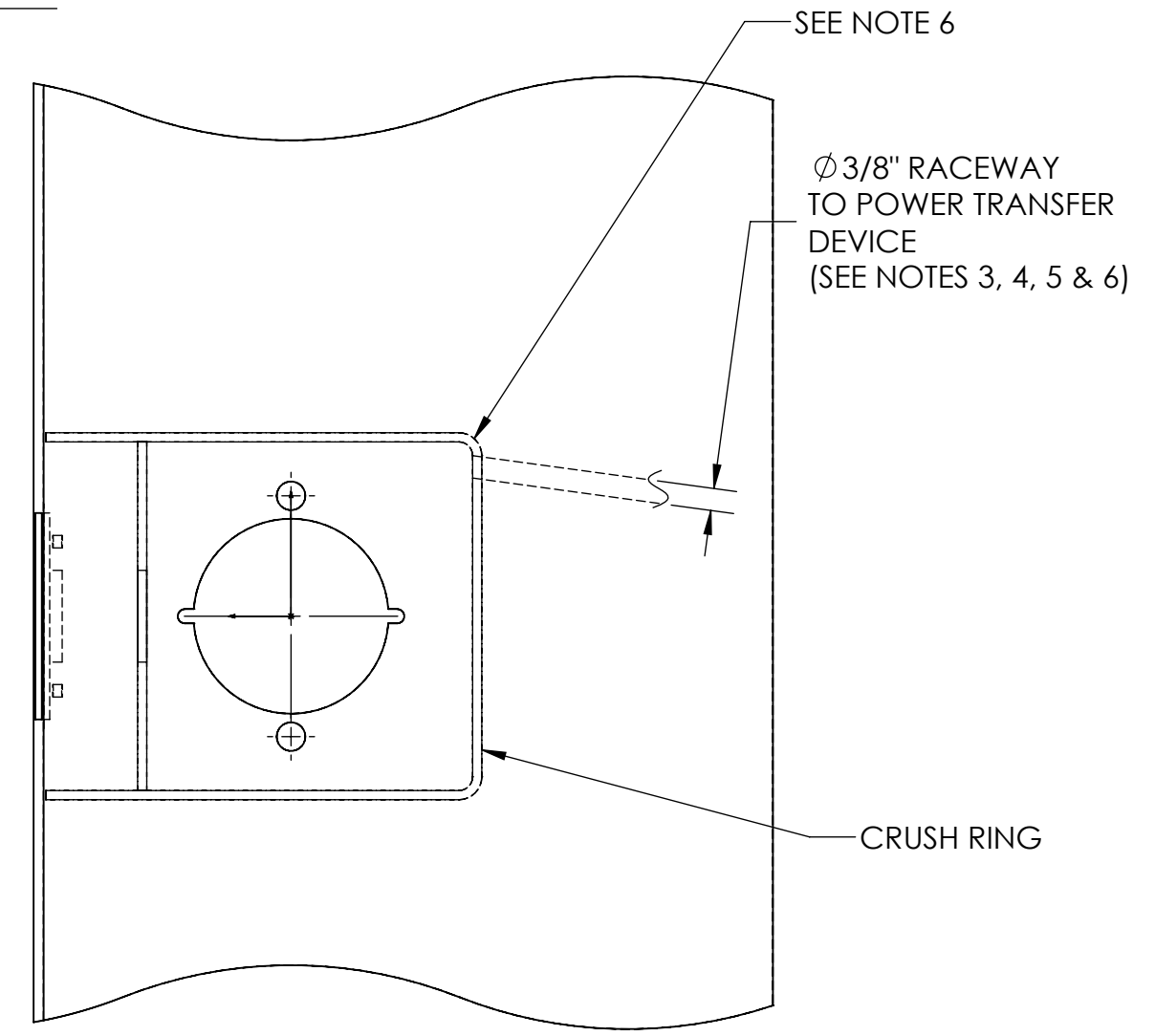
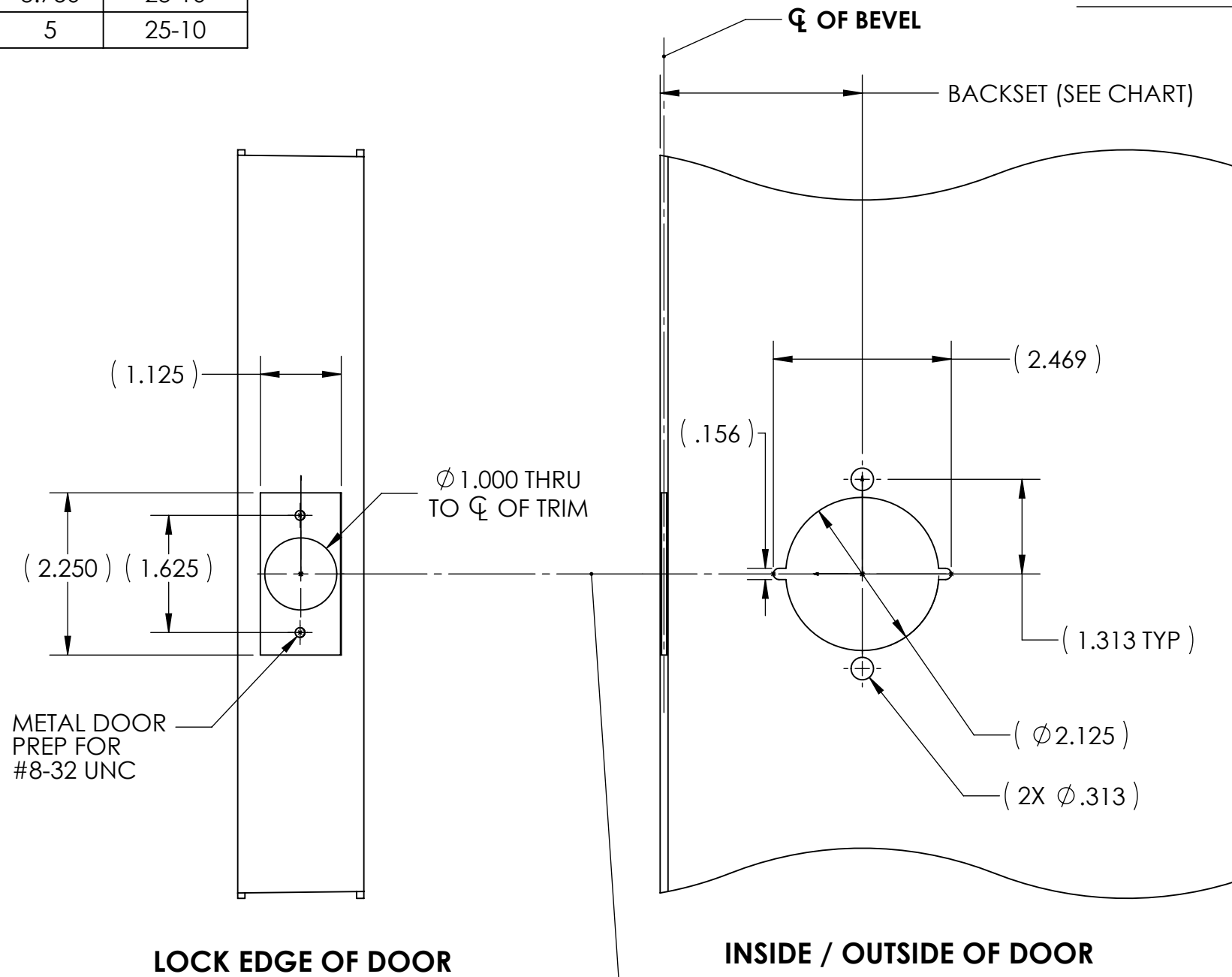


BACKSET	LOCKSET
2.750	10
3.750	23-10
5	25-10

METAL DOOR



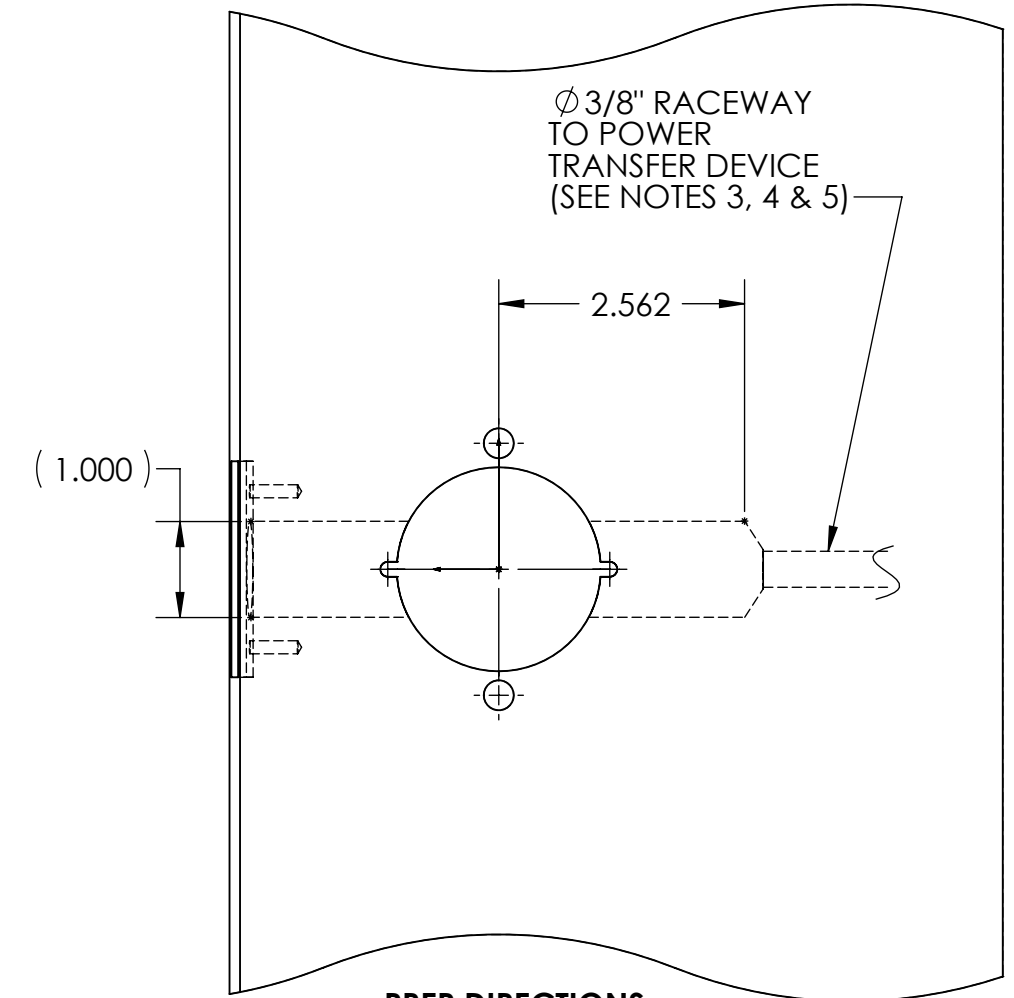
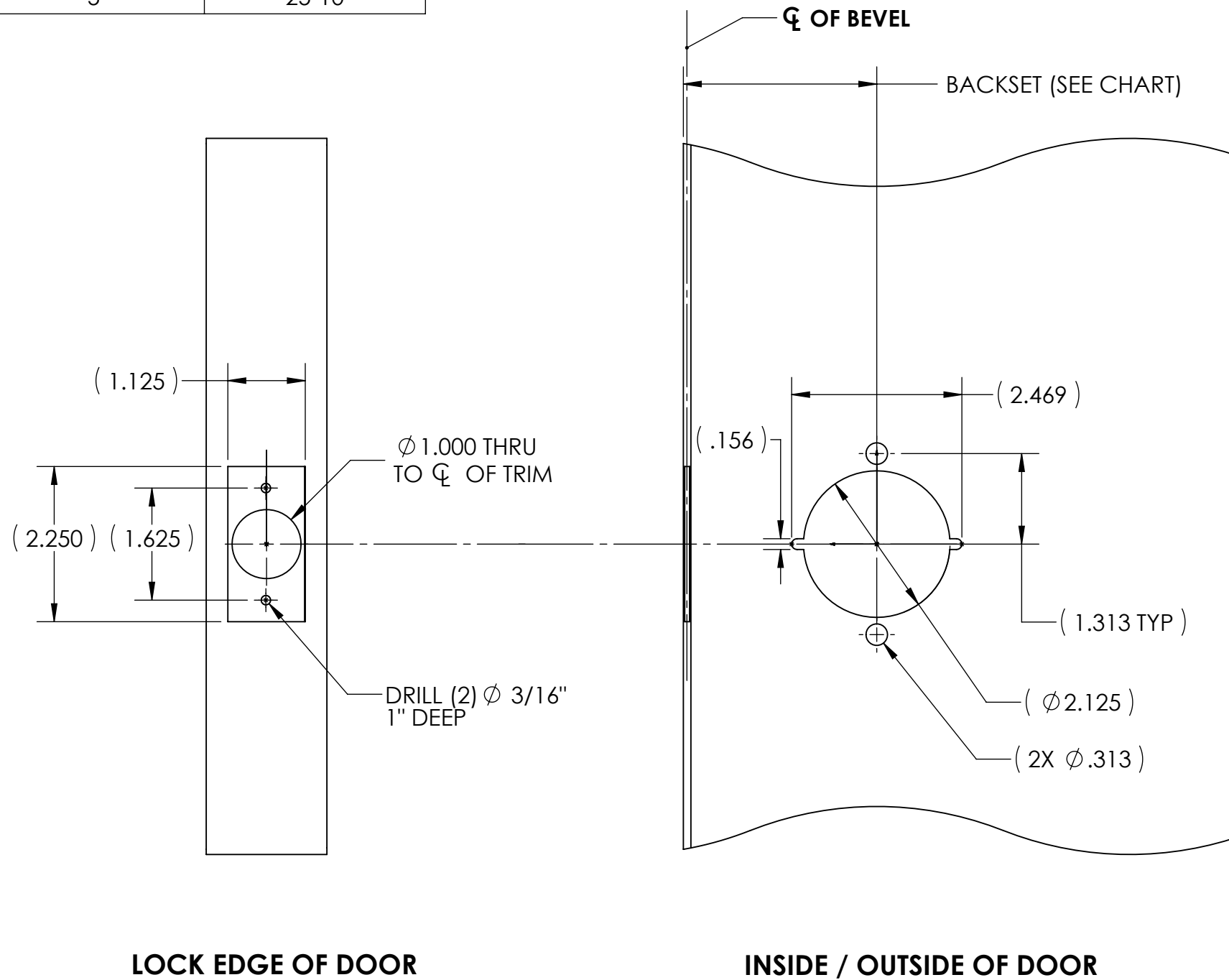
**ϕ OF LOCK & STRIKE
RECOMMENDED HEIGHT:
38" FROM FINISHED FLOOR**

- NOTES:
1. TOLERANCE ALL DIMENSIONS $\pm .015$.
 2. FOR LOCKBODY PREP SEE TEMPLATE NO. 4375-1A
 3. PROVIDE AREA TO BE FREE OF OBSTRUCTIONS FOR WIRE HARNESS THROUGH DOOR.
 4. FOR ELECTROLYNX APPLICATIONS, REFER TO MCKINNEY TRANSFER DEVICE CATALOG.
 5. CONSULT WITH POWER TRANSFER DEVICE MANUFACTURER FOR DOOR AND FRAME TEMPLATE DETAILS.
 6. PROVIDE OPENING IN CRUSH RING TO ALLOW ACCESS TO $\phi 3/8"$ RACEWAY.

SARGENT ASSA ABLOY	SARGENT Manufacturing Company 100 Sargent Drive New Haven, CT 06511
	10-LINE BORED-IN LOCK (METAL) DOOR MANUFACTURER TEMPLATE FOR SOLENOID FUNCTIONS (2-3/4", 3-3/4" & 5" BACKSETS)
RELEASE DATE 04-JUNE-2010	
TEMPLATE NO. 4409-1 - D	

BACKSET	LOCKSET
2.750	10
3.750	23-10
5	25-10

WOOD DOOR



PREP DIRECTIONS:
 OVER-DRILL Ø 1" TO A DEPTH OF 2 9/16" BEYOND BACKSET TO CREATE POCKET FOR "QC" CONNECTORS

- NOTES:
1. TOLERANCE ALL DIMENSIONS $\pm .015$.
 2. FOR LOCKBODY PREP SEE TEMPLATE NO. 4375-1A
 3. PROVIDE AREA TO BE FREE OF OBSTRUCTIONS FOR WIRE HARNESS THROUGH DOOR.
 4. FOR ELECTROLYNX APPLICATIONS, REFER TO MCKINNEY TRANSFER DEVICE CATALOG.
 5. CONSULT WITH POWER TRANSFER DEVICE MANUFACTURER FOR DOOR AND FRAME TEMPLATE DETAILS.

SARGENT
ASSA ABLOY

SARGENT Manufacturing Company
 100 Sargent Drive New Haven, CT 06511

10-LINE BORED-IN LOCK (WOOD)
 DOOR MANUFACTURER TEMPLATE
 FOR SOLENOID FUNCTIONS
 (2-3/4", 3-3/4" & 5" BACKSETS)

RELEASE DATE

04-JUNE-2010

TEMPLATE NO.

4409-1 - D