

80 series  
Parts List

8895  
(ACTIVE DUMMY RAIL)

Parts List

Page No Rev  
88.21A B

8/18/2003

RAIL ASSEMBLY  
LESS END CAPS

8895	ACTIVE DUMMY RAIL	E F J G	68-3277 68-3278 68-4579 68-3279
------	-------------------------	------------------	--

ITEM	ASSY NO.	PART NO.	DESCRIPTION	QTY
1		809 KIT **	TOUCH BAR REPLACEMENT KIT	1
2		68-1444	PUSH RAIL (E) *	1
		68-1447	PUSH RAIL (F) *	
		68-1445	PUSH RAIL (J) *	
		68-1446	PUSH RAIL (G) *	
3		01-0098	RETAINING RING **	2
4		68-0229	PIVOT PIN PUSH RAIL *	2
5	68-3277 (E)	68-3609	CONNECTING ARM ASSEMBLY	2
6	68-3278 (F)	68-0945	PIVOT PIN MOUNTING RAIL	2
7		68-0943	BRACKET CONNECTING ARM	2
8	68-4579 (J)	01-1236	SCREW #6-32 X 3/8 *	4
9	68-3279 (G)	68-0866	MOUNTING RAIL (E) *	1
		68-1469	MOUNTING RAIL (F) *	
		68-1468	MOUNTING RAIL (J) *	
		68-0868	MOUNTING RAIL (G) *	
10		68-0236	SPRING	2
11		68-0551	MOUNTING RAIL INSERT (E) *	1
		68-1375	MOUNTING RAIL INSERT (F)*	
		68-1477	MOUNTING RAIL INSERT (J & G)*	
12		01-4537	HOLE PLUG	1
—		565 KIT ∅	OVERLAPING END CAP KIT *	2
—		665 KIT ∅	FLUSH END CAP KIT *	
32		97-0052	SCREW #8-32 X 5/16 *	4
—		68-0511	MOUNTING PLATE LEXAN END CAPS	2
—		68-0561	END CAP BLACK LEXAN	2
—		68-3373	MOUNTING PACK INC ITEMS 30, 31 & 32	1

\* SPECIFY FINISH

\*\* 809 KIT INCLUDES TOUCH BAR AND  
ASSOCIATED HARDWARE

∅ WHEN REPLACING ANY END CAP WITH NEW METAL END  
CAPS ORDER 565 KIT FOR OVERLAPING OR 665 KIT  
FOR FLUSH MOUNTING END CAP BY FINISH

THIS PAGE MUST FACE 88.21B

80 series  
Parts List

8895  
(ACTIVE DUMMY RAIL)

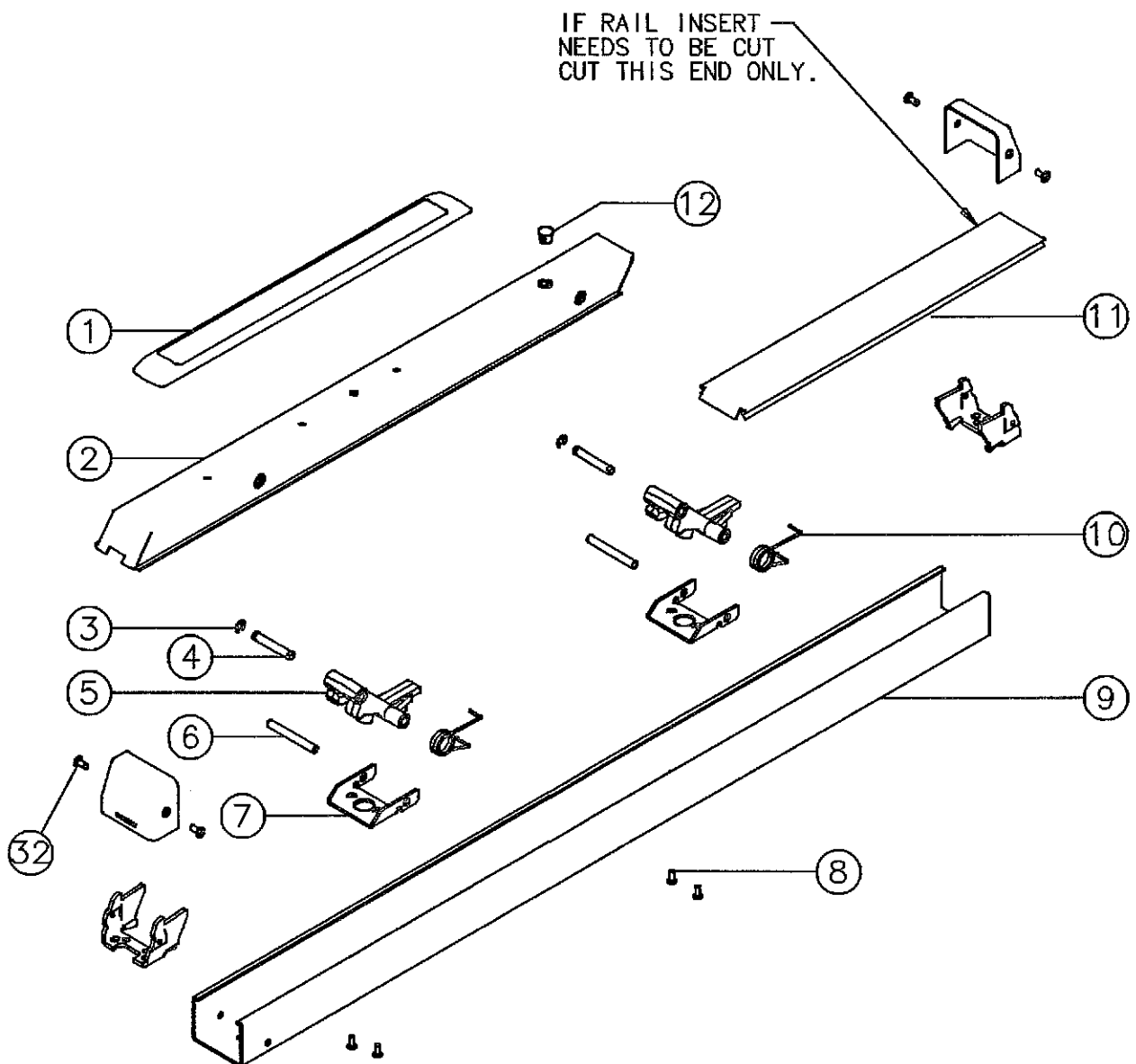
Parts List

Page No 88.21B Rev B

8/18/2003

RAIL ASSEMBLY  
LESS END CAPS

8895	ACTIVE DUMMY RAIL	E F J G	68-3277 68-3278 68-4579 68-3279
------	-------------------------	------------------	--



THIS PAGE MUST FACE 88.21A