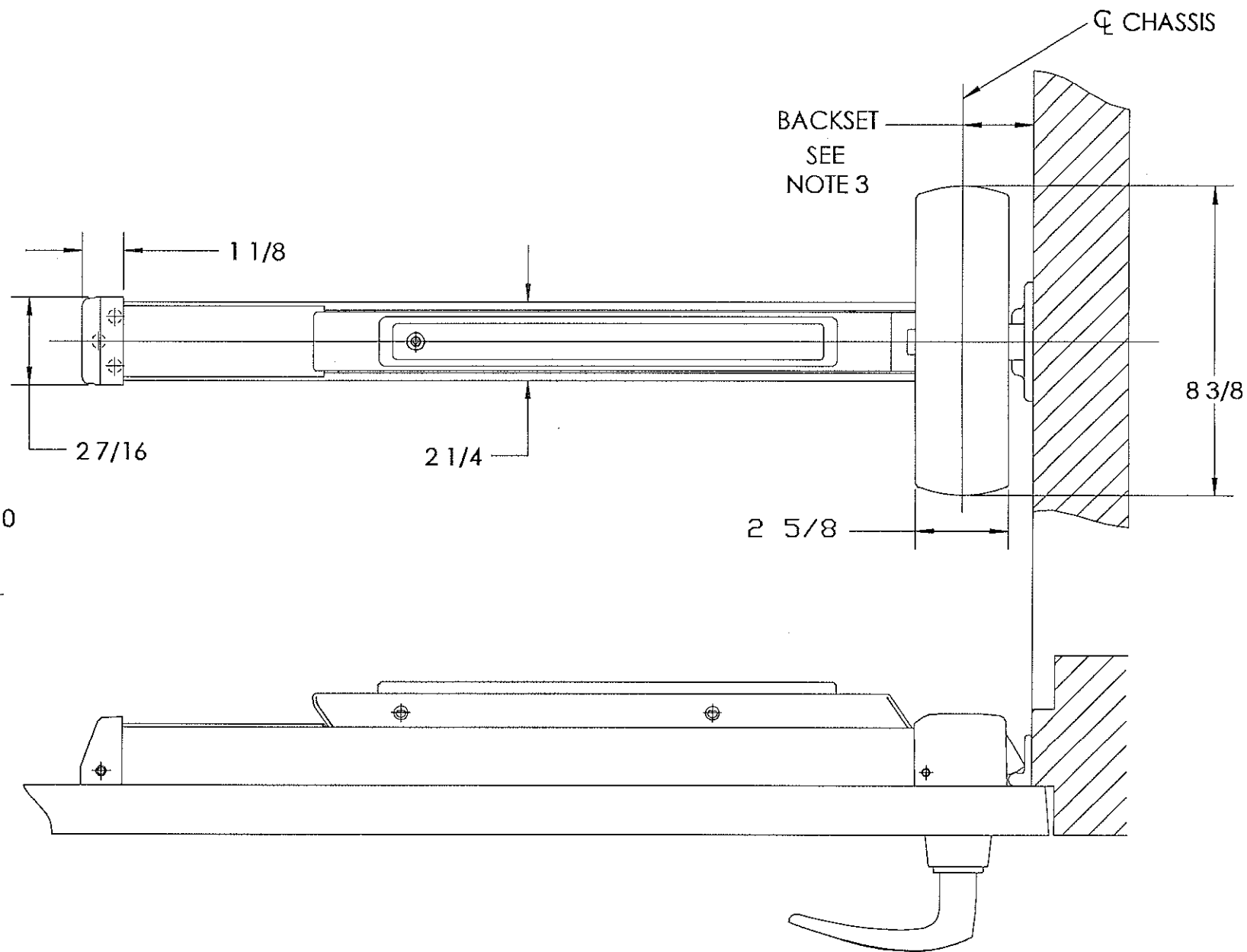
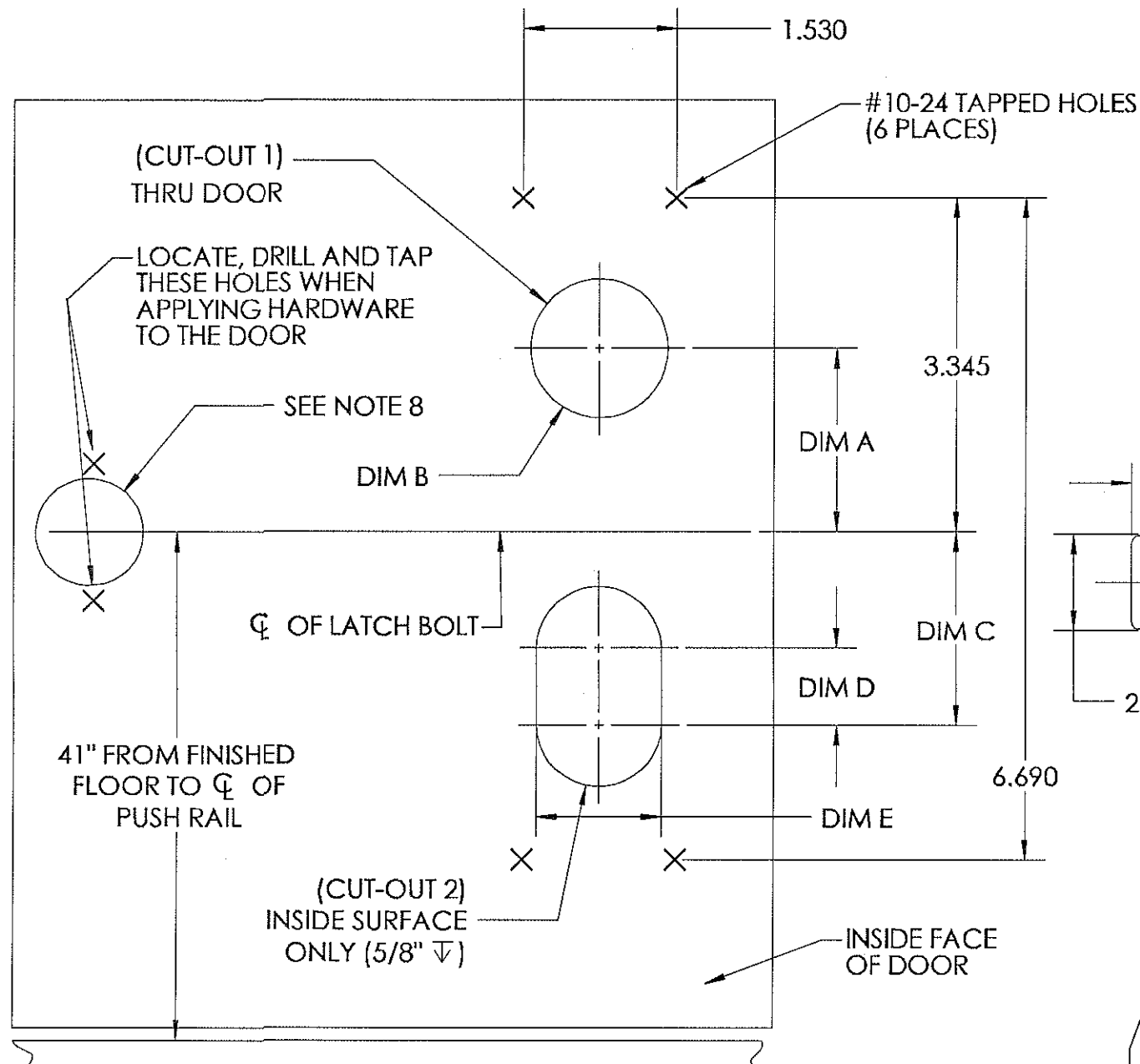


FUNCTION	CUT-OUTS				
	CUT-OUT 1		CUT-OUT 2		
	DIM "A"	DIM "B"	DIM "C"	DIM "D"	DIM "E"
16	2 1/8	Ø 1 3/8	1 13/16	1 5/16	2 1/8
28	-----	-----	2 3/8	1 3/8	1 1/2
63 OR 66	2 1/8	Ø 1 3/8	2 3/8	1 3/8	1 1/2



- ⑧ — SEE TEMPLATES No. 4569 FOR ELECTRICAL RACEWAY DETAILS WHEN NEEDED.
- ⑦ — FOR 04, 06, 10, 13, 15, 40, 43, 44, 46, 73, 74, 75 & 76 FUNCTIONS SEE TEMPLATE 4415; 77 & 78 FUNCTIONS SEE TEMPLATE 4476
- ⑥ — FOR GLASS BEADED DOORS, IF BEAD CANNOT BE REMOVED, USE GLASS BEAD SHIM KIT (AVAILABLE ON ORDER).
- ⑤ — SURFACE OF DOOR, WHERE EXIT DEVICE IS TO BE APPLIED, MUST BE FLUSH.
- ④ — SEE MASTER SHEET No. 4019 FOR AREAS REQUIRING REINFORCEMENTS.
- ③ — SEE STRIKE TEMPLATE FOR MOUNTING LOCATION OF STRIKE.
- ② — WE RECOMMEND THAT ALL TAPPED HOLES BE DRILLED & TAPPED IN FIELD.
- ① — TOLERANCE ON ALL DIMENSIONS $\pm 1/64$ ".

SARGENT ® Manufacturing Company 100 Sargent Drive New Haven, CT 06511	
DOOR MANUFACTURERS TEMPLATE: 8800 SERIES RIM EXIT DEVICE 16, 28, 63 & 66 FUNCTIONS WITH ALL PREFIXES	RELEASE DATE 31 JAN 06 TEMPLATE NO. 4285 J