



MULTI-SERIES CATALOG

<i>B Series</i> _____	2
<i>B.A.S.I.S. G</i> _____	14
<i>B.A.S.I.S. V</i> _____	22
<i>Behavioral Healthcare Solutions</i> _____	34
<i>Cabinet Locks- L Series</i> _____	46
<i>Cylinders- E Series</i> _____	58
<i>Cylindrical Adapations</i> _____	70
<i>Cylindrical Locks- 5K Series</i> _____	78
<i>Cylindrical Locks- 6K Series</i> _____	82
<i>Cylindrical Locks- 7KC Series</i> _____	86
<i>Cylindrical Locks- 8K Series</i> _____	94
<i>Cylindrical Locks- 9K Series</i> _____	106
<i>Electromechanical W & M Series</i> _____	118
<i>Key & Core Control</i> _____	138
<i>Keypad EZ</i> _____	142
<i>Miscellaneous</i> _____	150
<i>Mortise Locksets - 40H</i> _____	158
<i>Service Equipment- D Series</i> _____	178
<i>Stanley Wi-Q™ Parts Catalog</i> _____	190
<i>Tubular Deadbolt- T Series</i> _____	330
<i>Wireless Access Management</i> _____	334

STANLEY[®]
Security Solutions



B SERIES
PADLOCKS



TABLE OF CONTENTS		Page		Page
General Information.....	2	Accessories / Options (continued)		6-9
Shackle Chart	2	21BSH shroud option.....		7
Patents	2	Cables		7
11B/12B Series	3	Special stamps.....		8
21B/22B Series	4	Frangible shackle option		8
41B/42B Series	5	Chain options		8
Accessories / Options	6-9	Lockout/Tagout		9
Car seal option.....	6	Patented keying system.....		10
Weather cover option.....	6	Repair and parts		11
Double lockout "safety first" option.....	6			

GENERAL INFORMATION

At the heart of every Stanley/Best padlock is a standard key removable core that is interchangeable throughout most of the entire line of BEST products. This standardization permits Stanley/BEST locks of any type, size or style to be masterkeyed into one system which can expand to include future locking needs.

All padlocks utilize the interchangeable core which allows immediate rekeying at minimal cost. Padlocks are available in various case sizes and brass or stainless steel shackle sizes (see chart below). Brass or aluminum cases with brass shackles are also available. Options include key retained / non-key retained, bronze or steel chains, special case embossing (Brass case only), corrosion resistance, car seal. See pages 6-9 for a complete list of options available.

B SERIES SHACKLE CHART

Shackle Material	Brass			Stainless Steel			Hardened Steel		
	11B	21B	41B	11B	21B	41B	11B	21B	41B
Series	11B	21B	41B	11B	21B	41B	11B	21B	41B
Shackle Diameter	1/4"	5/16"	3/8"	1/4"	5/16"	3/8"	1/4"	5/16"	3/8"
ASTM Grade	x	x	x	3	4	3	4	4	4
Cut Resistance	x	x	x	3	4	5	6	6	6
Corrosion	x	x	x	6	6	6	6	6	6
Tensil	x	x	x	4	4	4	4	4	4
Shock	x	x	x	6	4	3	4	4	4

PATENTS

Products protected by one or more of the following patents:

- | | | | |
|-----------|-----------|-----------|-----------|
| 3,603,123 | 4,075,878 | 3,882,699 | 3,850,014 |
| 3,652,114 | 3,728,879 | 3,605,458 | 4,244,093 |
| 4,386,510 | 4,424,693 | 4,444,034 | 4,655,063 |
| D290,085 | 5,590,555 | 5,794,472 | |



Specifications

Case– Machined from solid extruded brass or aluminum.

Standard finish is 626 satin chromium plated.

Width– 1 5/8"

Length– 2 1/16"

Thickness– 25/32"

Shackle– The shackle locks at both heel and toe.

The length of shackle opening is measured from top of case to inside of shackle when padlock is locked.

Material– Brass or stainless steel

Diameter– 1/4"

Width of opening– 7/8"

ASTM F883– Meets Grade 3 with stainless steel shackle.

ASTM F883– Meets Grade 6 for option E. (Corrosion resistance).



11B Padlock



11B72 Actual Size

11B722 Actual Size

11B772 Actual Size

11B782 Actual Size

11B/12B – HOW TO ORDER

11B Series	7 Core	2 Shackle Housing	T Function Height	Chain Code	Special Option	Options Stamp No.
11B – brass 1/4" diameter 12B – aluminum 1/4" diameter	7– 7 pin housing accepts all Best cores	Steel 2 – 3/4" 22 – 1 1/2" 72 – 2" 82 – 4" Brass 0 – 3/4" 20 – 1 1/2" 70 – 2" 80 – 4"	T– key retained L– non-key retained	M– case drilled for clevis only M1*– bronze chain (available for brass padlocks only) M5*– galvanized steel chain (page 8)	Blank– Best logo PS1010– safety first (available 11B only) Specify padlock stamp number or describe stamp. (11B only.) Price for special stamps on request. (page 8)	F3– frangible shackle (11B720 only) 606– satin brass (11B only) ZZ– double lockout (12B only) Red– anodized finish (12B only) Black– anodized finish (12B only) (pages 6-9)

21B/22B SERIES

Specifications

Case– Machined from solid extruded brass or aluminum.

Standard finish is 626 satin chromium plated.

Width– 1 ²⁵/₃₂"

Length– 2 ¹/₁₆"

Thickness– ¹³/₁₆"

Shackle– The shackle locks at both heel and toe. The length of shackle opening is measured from top of case to inside of shackle when padlock is locked.

Material– Stainless steel

Diameter– ⁵/₁₆"

Width of opening– ⁷/₈"

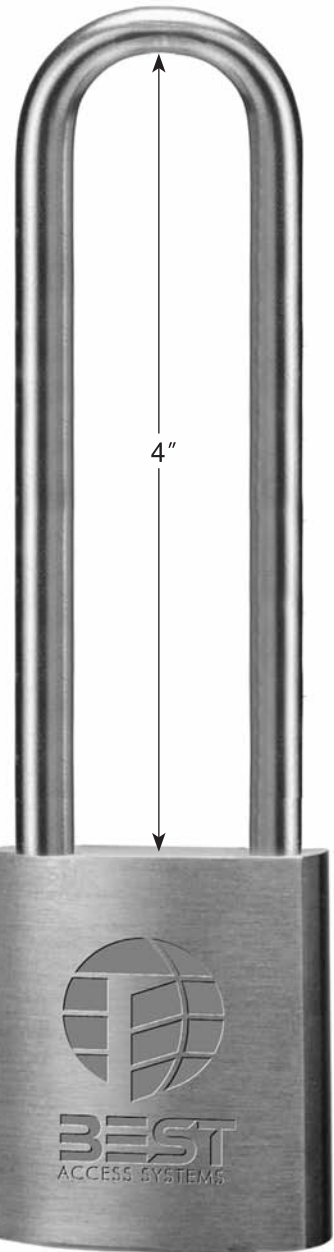
ASTM F883– Meets Grade 4 with stainless steel shackle.

ASTM F883– Meets Grade 6 for shackle cutting force with XSPL shackle option.

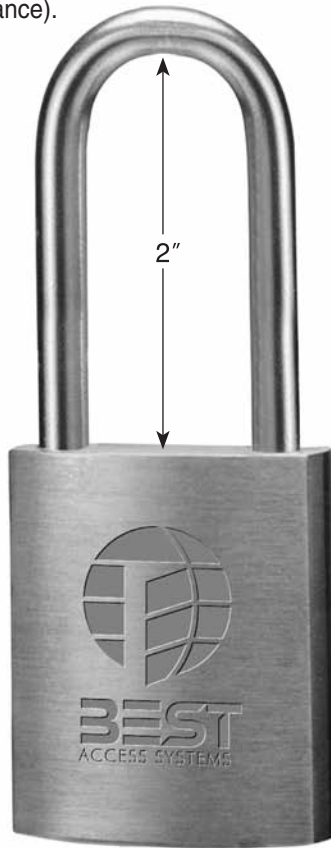
ASTM F883– Meets Grade 6 for option E. (Corrosion resistance).



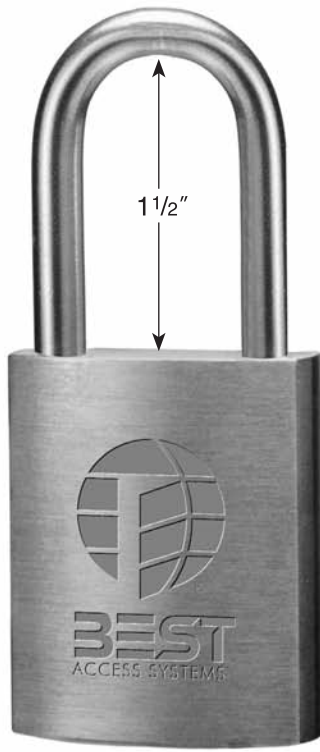
21B Padlock



21B782 Actual Size



21B772 Actual Size



21B722 Actual Size



21B72 Actual Size

21B/22B – HOW TO ORDER

21B Series	7 Core Housing	2 Shackle Code	T Function	Chain Option	Special Stamp No.	Options
21B– brass ⁵ / ₁₆ " dia.	7– 7 pin housing accepts all Best cores	Steel	T– key retained L– non-key retained	M– case drilled for clevis only M1– bronze chain (21B only) M5– galvanize steel chain with grey polycoating (page 8)	Blank– Best logo PS1010– safety first (21B only) Specify padlock stamp number or describe stamp. (21B only) Price for special stamps on request. (page 8)	606– satin brass (21B only) SH– shrouded with cut resistant shackle (21B only) WC– weather cover XSPL– cut resistant shackle Red– anodized finish (22B only) Black– anodized finish (22B only) (pages 6-9)
22B– aluminum ⁵ / ₁₆ " dia.		Brass				
		2 – ³ / ₄ " 21 – 1" w/shroud 22 – 1 ¹ / ₂ " 72 – 2" 82 – 4" 0 – ³ / ₄ " 20 – 1 ¹ / ₂ " 70 – 2" 80 – 4"				

Specifications

Case– Machined from solid extruded brass or aluminum.
 Standard finish is 626 satin chromium plated.
Width– 1 15/16"
Length– 2 1/16"
Thickness– 7/8"

Shackle– The shackle locks at both heel and toe.
 The length of shackle opening is measured from top of case to inside of shackle when padlock is locked.

Material– Stainless steel
Diameter– 3/8"
Width of opening– 7/8"

ASTM F883– Meets Grade 3 with stainless steel shackle, grade 4 with XSPL shackle.

ASTM F883– Meets Grade 6 for option E. (Corrosion resistance).

ASTM F883– Meets Grade 6 for shackle cutting force with XSPL shackle option



41B Padlock



41B72 Actual Size

41B722 Actual Size

41B772 Actual Size

41B782 Actual Size

41B/42B – HOW TO ORDER

41B Series	7 Core Housing	2 Shackle Height	T Function	Chain Option	Special Stamp No.	Options
41B– brass 3/8" diameter 42B– aluminum 3/8" diameter	7– 7 pin housing all Best cores	Steel 2 – 3/4" 22 – 1 1/2" 72 – 2" 82 – 4" Brass 0 – 3/4" 20 – 1 1/2" 70 – 2" 80 – 4"	T– key retained L– non-key retained	M– case drilled for chain M1– bronze chain (41B only) M5– galvanize steel chain with gray polycoating (page 8)	Blank– Best logo Specify padlock stamp number or describe stamp. (41B only.) Price for special stamps on request. (page 8)	606 – satin brass (41B only) S – car seal slot (41B only) WC – weather cover XSPL – cut resistant shackle Red – anodized finish (42B only) Black – anodized finish (42B only) (pages 6-9)

ACCESSORIES AND OPTIONS

S- Car Seal Option

Available in all 41B padlocks. Case is slotted below the core to accommodate most popular car seal bands. When in place, car seal band insures tampered with. Seals are available direct from car seal manufacturers. A special long blade key is required for 7-pin systems. When ordering simply add "S" to the option column of the 41B nomenclature.



41B car seal feature

WC- Weather Cover Option

Available in 21B/22B and 41B42B padlocks. The padlock weather covers are molded durable PVC that won't chip or corrode and resists acids, oils and abrasion. When ordering add "WC" to option column of the padlock nomenclature.



21B & 41B weather option

ZZ- Double Lockout/Safety First Option

Available in 11B only, the double lockout safety padlock provides additional safety for maintenance crews making repairs in widely separated areas. The shackles of 11B padlocks are passed through holes in the extended skirt at the base of this lock. As long as either 11B padlock remains in place, the lock-out safety padlock cannot be unlocked. Elliptical solid brass case is 1 1/2" wide and is stamped with words "**Safety First**" on one side. Holes at base of case will accommodate 11B shackles only. Minimum shackle opening should be 1 1/4". A long blade key is required for 7-pin systems. Dust cover cannot be used with double lockout.



11B double lockout option

21BSH– Shroud Option

Features & Benefits

- Cast stainless steel shroud with black powder-coated finish
- Through hardened shackle for cut resistance
- Utilized same internal components and body as standard 21B padlock
- Accepts all Best cores, with Standard, Premium, Peaks™ keying system
- Meets ASTM F883 Grade 4; meets Grade 6 for cut resistance
- Available in either key retained or non-key retained



21B with Stainless Steel Shroud

21B SHROUD – HOW TO ORDER

21B	7	21	L			SH
Shackle Diameter	Core	Shackle Housing	Function Code	Chain Option	Special Stamp No.	Options
21B– 5/16" dia.	7– 7-pin housing accepts all BEST cores	21– 1" shackle opening	T– key retained L– non-key retained	N/A for shroud option	N/A for shroud option	SH– shroud with cut resistant shackle (21B only)

21JB SERIES

21JB– Cable Padlock

Specifications

Case– Machined from extruded brass. Standard finish 626 satin chromium plated.

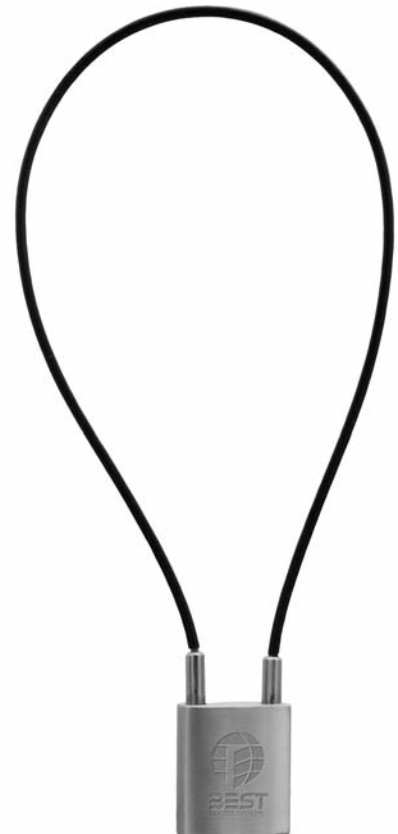
Width– 1 25/32"

Length– 2 1/16"

Thickness– 27/32"

Shackle Cable: Diameter 1/8" stainless steel. Length variable. 18" standard unless specified other length.

Cable jacket: A tough plastic coating protects vulnerable surfaces. Measure cable length from top of case to top of case.



21JB7 - 18

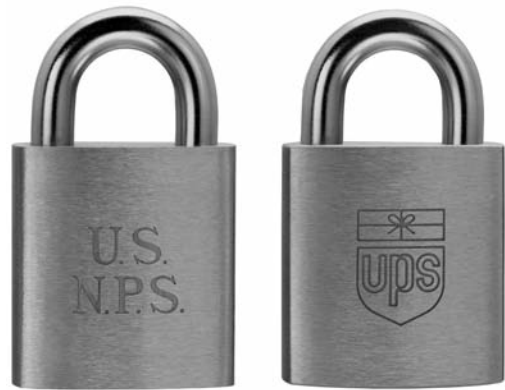
21JB – HOW TO ORDER

Series Housing	Core Length	Cable	Options
21JB– cable padlock	7– 7 pin housing accepts all Best cores	18– 18" 24– 24" 36– 36" 42– 42" 48– 48" 54– 54"	606– clear coated satin brass

ACCESSORIES AND OPTIONS

Special Stamped Padlocks

Upon special request, and at no charge other than the initial cost of the die, Stanley/BEST padlocks may be die-stamped with the customer's identification as specified. If stamp has been previously ordered, specify stamp number. (Brass padlocks only.)



Samples of Padlock Stamping

F3- Option Frangible Shackle

Available in 11B series only. The frangible shackle padlock is designed for fire and safety equipment, cabinets, etc. where casual entry needs to be prevented. During emergency, the shackle may be snapped by a hard blow or strong, steady pressure permitting entry without use of a key. (Check lock regulations). A brass 1 1/2" – number 20 size shackle is made frangible through use of special break point. Broken shackles are easily replaced in the field and may be ordered separately. A complete frangible shackle kit (including three frangible shackles, three shackle springs and one padlock disassembly tool) may be ordered with each padlock order.



Frangible Shackle Kit

To order kit specify: **11BFK**

M-Option Chains

Chains may be supplied with padlock. When ordering clevis and chains, add M1 or M5 to padlock nomenclature. Standard chain length is 9", special length chains available upon request.



M1 – 9"
Bronze Chain



M5 – 9"
Galvanized Steel Chain with Gray Plastic Polycoat Cover

OSHA requires that a Lockout/Tagout system be placed upon energy control devices to ensure that machines and equipment are isolated from all energy sources before employees perform service or maintenance activities. This is particularly necessary where the unexpected energization, start-up, or release of stored energy could cause injury or equipment damage. Stanley Security Solutions' Lockout/Tagout system includes six durable PVC vinyl coated BEST padlocks with Lockout/Tagout devices (11B/12B, 21B/22B, 41B/42B).

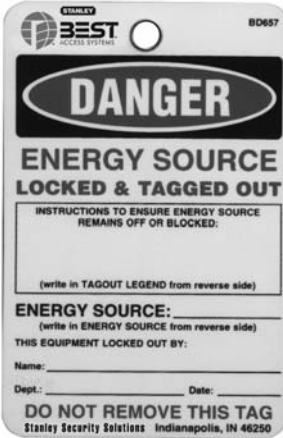
The OSHA vinyl coated padlocks will not chip or corrode. They also resist acids, oils or abrasions. Available is an OSHA accepted 6-padlock red polyresin coated aluminum lockout (BD655), and easy-to-read energy source identification tags. In addition to names of the workers, our tags can provide pertinent information, i.e. where the worker can be located. Details of OSHA Lockout/Tagout standard can be found in the code of Federal Regulations for labor at Title 29 part 1910.147, the control of hazardous energy Lockout/Tagout.



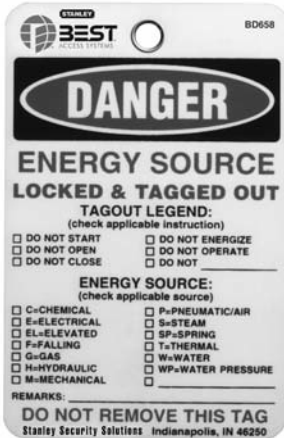
Lockout/Tagout Padlocks



Lockouts
BD655



Front
Identification Tag
BD657 (includes one tie per tag)
Tagout Tag
BD658 (includes one tie per tag)



Back
Identification Tag

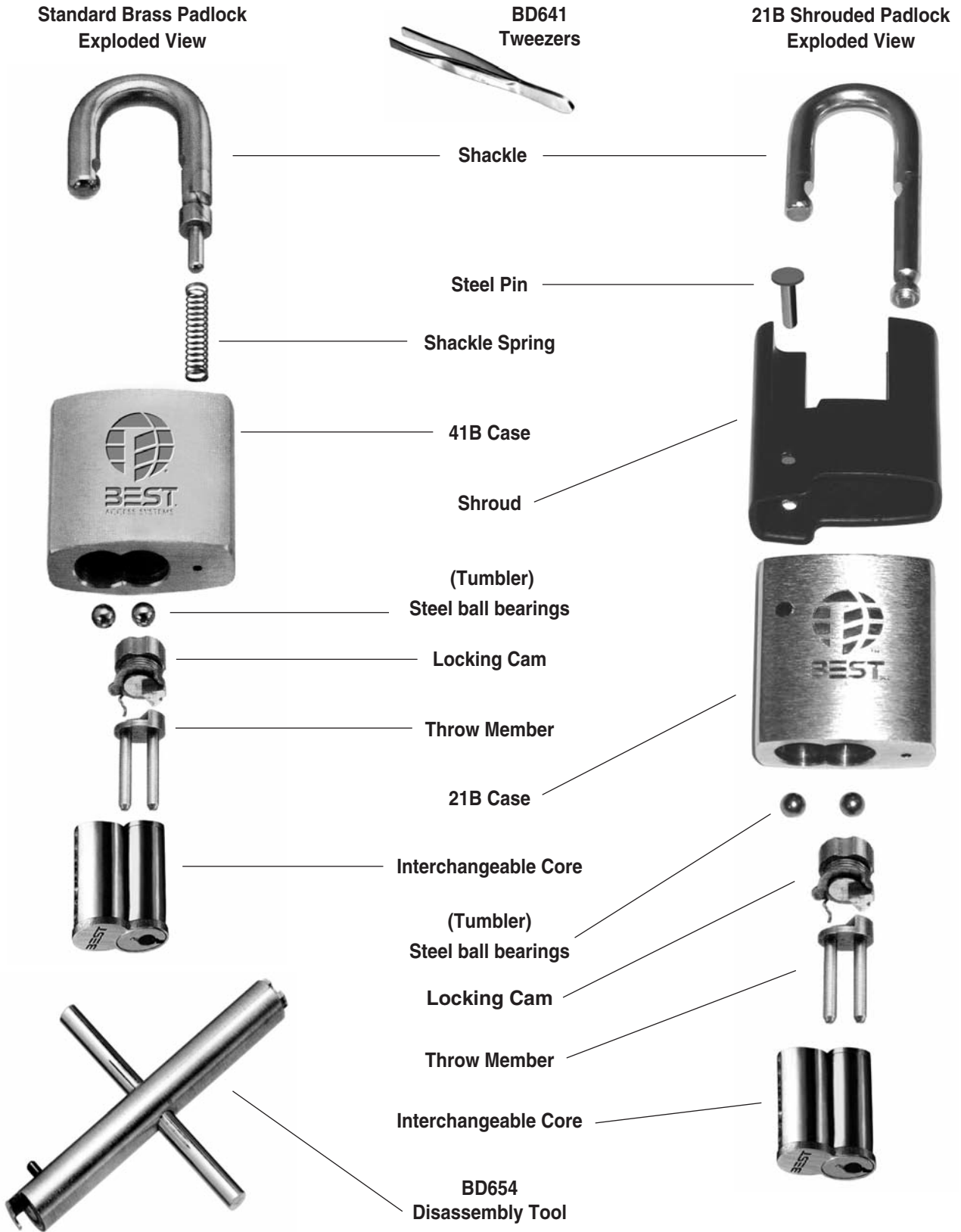
LOCKOUT/TAGOUT PADLOCKS – HOW TO ORDER

11B Padlock Series	7 Core Housing	2 Shackle Code	T Function Option	Chain	Special Stamp No.	O/OR Options
11B/12B- 1/4" 21B/22B- 5/16" 41B/42B- 3/8"	7- 7 pin housing accepts all Best cores					Vinyl Cases O/RED- Red O/YEL- Yellow O/BLU- Blue O/BLA- Black O/ORO- Orange O/GRE- Green
For specific order procedures and complete specifications, see pages 3 through 7						

PADLOCK REPAIR AND PARTS

11B/12B – 21B/22B – 41B/42B Series

With the simplest of tools, proper replacement parts and minimal training, all Stanley/BEST padlocks can be used for the duration of any installation. Listed below are the parts and tools required for the various series of padlocks. Contact your local Stanley Security Solutions office for special instruction and information about factory seminars for padlock repair. Stanley/BEST padlocks can be repaired and worn parts replaced, virtually eliminating padlock replacement costs.

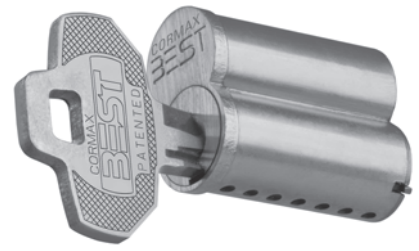


CORMAX™ PATENTED KEYING SYSTEM

One of the greatest threats to key control within your facility is the unauthorized duplication of keys; one simple solution is the use of the CORMAX™ Patented Keying System.

Very seldom can a single product meet all of your exact needs, and often your level of convenience must be sacrificed to fit the capabilities of the product. The CORMAX Patented Keying System provides you with a significant amount of flexibility, enabling a solution that fits your unique balance between security and convenience.

The CORMAX Patented Keying System is available in two series of keyways, the M Series and the X Series. Each series offers a different blend of features. For example the CORMAX Patented Keying System can provide geographic exclusivity to the customer to help you maximize convenience while optimizing your security.



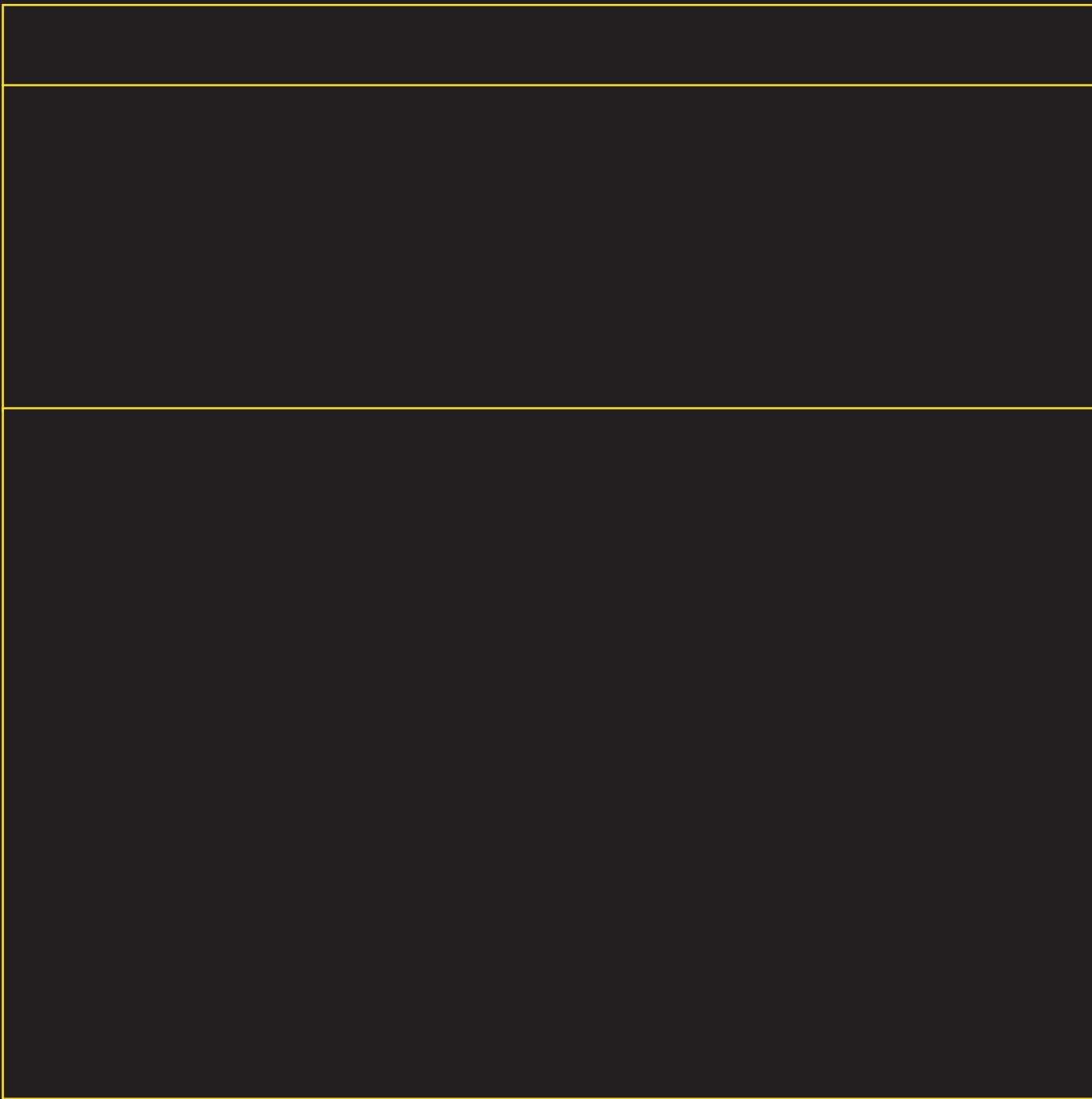
**CORMAX™
Patented Keying System**

M Series Keyway Features

- Patented keys operate both CORMAX and Standard BEST cores (backward compatibility) with existing Stanley/BEST keyways (J,K,L,M only). Standard keys do not operate CORMAX cores.
- Available in large bow, long blade, and long nose key blanks to work with special applications.
- Available in core designs for use in special application locks, such as high security mortise, hotel cylinders, and glass display-case locks.
- Utilizes the same combining kits and key cutting equipment as the Standard BEST keyways.
- M Series keys operate CORMAX cores and Standard (non-patented) BEST cores. Standard key blanks do not operate CORMAX cores.

X Series Keyway Features

- Distinctive key design includes thicker key blanks with larger bow for added strength and easier handling.
- Keyways are unique to CORMAX Patented Keying System offering even higher key duplication protection.
- CORMAX keyways utilize the standard combining kit, minimizing the expense of system changeover.
- X Series keys operate CORMAX cores only.



For more information on Stanley Security Solutions' products, services, and office locations visit our web site at www.stanleysecuritysolutions.com

Product information contained in this catalog has been compiled and presented with as much care and completeness as is reasonably possible. Errors or mistakes may be present, and in many cases, reliance has been placed on information supplied by other manufacturers which may be in error or which may be subject to changes or modifications by the manufacturer without notice and without obligation. Therefore, no guarantee can be made or should be assumed or implied with regards to product information contained in this catalog.



Stanley Security Solutions, Inc.

6161 E. 75th Street Indianapolis, Indiana 46250

www.stanleysecuritysolutions.com • © 2010 Stanley Security Solutions, Inc.

10M R310
BAS028

STANLEY[®]

Security Solutions



B.A.S.I.S.® G

INTEGRATED SOLUTIONS
GUEST HOUSING



TABLE OF CONTENTS		Page	Page
Introduction	2	Lever Styles	5
Software and Hardware Features	2	KG Specifications	6
Standard Cards	2	KG Function	6
System Components	3	EX Specifications	7
HG Specifications	4	Battery Life Chart	7
HG Functions.....	5	How To Order	8

INTRODUCTION

Introducing **B.A.S.I.S.® G** – a highly efficient stand-alone lock system that utilizes card reader technology and is driven by software specifically designed for residence halls. **B.A.S.I.S.® G**, ID cards are encoded with all the information necessary to control door access. The system integrates with virtually any existing database, and allows unsurpassed capabilities in storing and retrieving access activity data. **B.A.S.I.S.® G** involves no costly wiring, is easy to manage, and offers a broad range of integrated features. In fact, everything about **B.A.S.I.S.® G** was designed to think ...so you don't have to. The world of access control has become increasingly complex. This is especially true at campus residence halls. As higher demands are being made for student safety, there is also a greater need for convenience and efficiency for facility managers. The real genius of **B.A.S.I.S.® G** is in its ability to address both challenges.

B.A.S.I.S.® G utilizes pre-programmed ID cards, the likelihood of unauthorized door access is greatly reduced. And because the lock itself is off-line, individual door access changes can be made quickly and conveniently. Add to this the ease with which **B.A.S.I.S.® G** integrates into existing systems, and the incredible amount of data that can be tracked and stored. **B.A.S.I.S.® G** is doing the thinking so you don't have to.

SOFTWARE FEATURES

- Designed specifically for the residence hall application, addressing the real life needs of daily operations such as lost cards and/or room changes.
- Term-based software allows for batch updating of data, saving significant and valuable time.
- Dynamically integrates with most existing university databases with real-time information updates, eliminating the tedious process of re-entering student data.
- Multiple locations can be networked to conveniently access a single database.
- Expiration date on cards prevents students from returning to their rooms after the semester has expired.
- Complete history of access activity can easily be obtained.
- Automatic backup reduces the risk of losing data.
- **B.A.S.I.S.® G** (an off-line system) is integrated into BEST's on-line software, eliminating the inefficiencies of having two separate systems.

HARDWARE FEATURES

- Track Three technology greatly reduces the need to visit individual rooms for access changes. Locks do not have to be re-programmed to handle lost cards or room changes.
- Swipe reader is vandal resistant and can read various size I.D. cards.
- Minimum 65,000 cycles / 2 to 5 year battery life for cylindrical chassis; Minimum 130,000 cycles / 2 to 5 year battery life for mortise chassis.
- Costs are controlled by availability of replacement parts versus having to replace entire unit.
- Local factory-trained technical services are available 24 hours a day to meet any emergency need.
- **B.A.S.I.S.® G** can allow or record 5,000 users / history, giving unmatched capacity for each residence hall room.
- Available with a smart card reader, allowing for future technological advancements.
- Heavy-duty mechanical platform designed and manufactured for the toughest residence hall applications.
- Key override detection records and documents when a key is used.
- Deadbolt sensing prevents access to unauthorized cards when deadbolt is thrown.
- Interchangeable core mechanical override allows for emergency access.
- **B.A.S.I.S.® G** hardware is available in trims and most finishes that match BEST's 9K cylindrical series and 30H mortise series, providing aesthetic continuity.
- Weather-resistant for versatile applications, including doors exposed to inclement conditions.

STANDARD CARDS

- Card Specifications:**
- Standard credit card size
 - .030" ±.003 thickness (PVC or Polyester)
 - High coercivity ABA 3 tracks



BEST serialized cards
VPA-PVC



Custom graphics cards
VPA-POLY

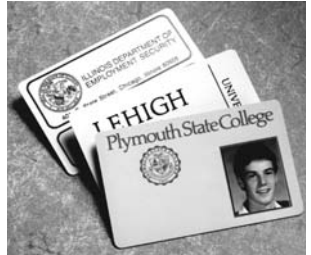


Photo I.D. Cards
VPA-CUST



SYSTEM COMPONENTS

The **B.A.S.I.S.® G** System is an electronic access control system that can be programmed to meet your facility's access control needs. The system is designed to secure your facility by granting specific access rights to authorized people, based on a defined time schedule, for each lock in the system. By tracking events at the locks, the system provides information to help you maintain the security of your facility.



1 B.A.S.I.S. Software



2 Programming Cable



3 Mag Stripe Cards



4 Mag Stripe Encoder



5 Magnetic Stripe



6 Dual Validation



7 PDA palm top

SYSTEM COMPONENTS DESCRIPTION

- 1 **B.A.S.I.S.® Software**– Software that lets you define programming settings and the user database for groups of locks, as well as individual locks. The software lets you view and print information about locks at any time. (To order, contact your local Best Access Systems office.)
- 2 **Programming Cable** – Programming cable allows you to connect to individual locks. (To order, contact your local Best Access Systems office.)
- 3 **Magnetic Stripe Cards**– A credit-card-size card with a magnetic stripe containing information. These cards can be encoded and sent to the user or encoded by the user at their facility. (To order, see page 7.)
- 4 **Magnetic Stripe Card Encoder**– The device that “reads”, “writes” and “erases” information on the magnetic-stripe card. This also includes the software that controls the card encoder. Requires a PC & B.A.S.I.S.® software. (To order, see page 8.)
- 5 **Magnetic Stripe Reader**– A battery-powered, self-contained reader electronic lock that uses standard magstripe cards. Controls access to door and can be programmed with B.A.S.I.S.® software. (To order, see page 7.)
- 6 **Dual Validation Reader**– A battery-powered, self-contained dual validation reader electronic lock that combines standard mag stripe and keypad validation. Controls access to door and can be programmed with B.A.S.I.S.® software.
- 7 **PDA (palm top)**– A PDA (Personal Digital Assistant) is a palm top device that connects to a PC to transport programming data from a B.A.S.I.S.® system to the lockset or retrieve history data. The PDA is also a means to provide diagnostic data from the lockset. Software for the palm device is included in the B.A.S.I.S.® software. (Contact your local Best Access Systems office or visit our web site for a recommended device.)

HOW TO ORDER-STANDARD CARDS

Part Description	Catalog Number
PVC cards – (Box of 500)	VPA– PVC
Polyester cards – (Box of 500)	VPA– POLY
Photo Identification/Custom cards*	VPA– CUST

*Special quote contact your local BEST office.

HOW TO ORDER-ENCODER

Part Description	Catalog Number
Mag Stripe Encoder	BASD–MSE
Programming Cable	BASD–CAB

HG SPECIFICATIONS



HG Magnetic Stripe Reader



HG Dual Validation Reader

MECHANICAL

Case: 0.095" cold rolled steel, 5 7/8" H x 7/8" D x 4 1/16" W. Steel is zinc dichromate plated for corrosion protection.

Faceplate: Brass or bronze material, 8" H x 1 1/4" W x 1/16" T. Lock face automatically adjusts to proper bevel during installation.

Strike: Brass, bronze, or stainless steel base material, 4 7/8" H x 1 1/4" W x 3/32" T. Fits standard door frame cut out as specified in ANSI A115.1. Universal (non-handed) strike supplied standard with lock.

Backset: 2 3/4"

Door Thickness: Standard lock configuration designed for doors 1 3/4" thick. Thick door configuration available for doors up to 3" thick (specify thickness when ordering).

Latchbolt: Solid stainless steel, 3/4" throw. Latch is oil-impregnated for anti-friction operation. Reversible without opening case.

Deadbolt: Stainless steel, 1" throw.

Auxiliary bolt: Stainless steel, non-handed.

Lever handle: Brass, bronze, or stainless steel base material. Lever styles 3, 14, and 15 return to a minimum of 1/2" of door surface. Lever 12, 16 and 17 do not return.

Escutcheons: 10 3/8" H x 3 1/4" W x 1" D (1" at the top, sloping down to 3/4" at the bottom)

Finishes: **605-** bright brass, clear coated; **606-** satin brass, clear coated; **612 -** satin bronze, clear coated; **625-** bright chromium plated (brass base material); **626-** satin chromium plated (brass base material); **690***- dark bronze coated (brass base material)

*690 finish will continue as a dark brown appearance over time.

ELECTRONIC

Primary power: Alkaline standard 4 cells or extended life 8 cell battery pack

Memory backup: Maintains all programming and history data for up to 3 months after loss of power.

User feedback indicators: Visual and audible.

Serial communications port: Used for programming lock from laptop or PDA.

Operating temperature: -35°C to +66°C (-31°F to +151°F).

Relative humidity: 10% to 90% non-condensing.

Sealing: Weatherproof lens and gasket provides protection for outdoor use (Usable in most environmental/exterior applications)

Magnetic Stripe Reader Specifications:

Bezel material: High impact ABS.

Read rate: 5 inches per second to 50 inches per second.

Card thickness: ISO standard .030" ± .003 thick.

Compliance: Compliant with US, Canadian, and European EMC requirements, and for FCC Class A digital apparatus interference.

Dual Validation Reader Specifications (Magnetic Stripe & Keypad):

Bezel size: 2 5/8" x 3 1/4".

Bezel material: High impact ABS.

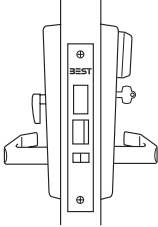
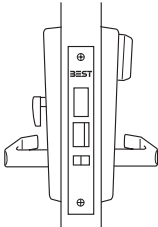
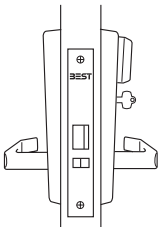
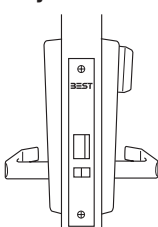
Keypad material: Encapsulated elastomer.

ESD Protection: 15 kilovolts.

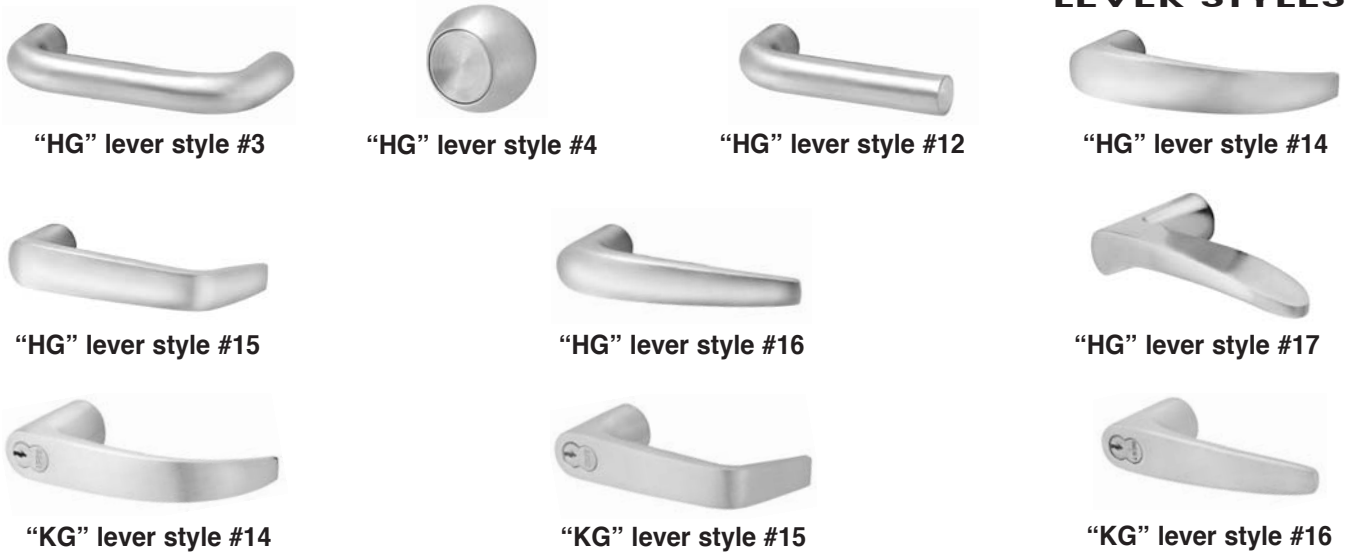
Keypad button operating life: 1 million cycles.

Compliance: Compliant with US, Canadian, and European EMC requirements, and for FCC Class A.



Diagram	Function Code	Mechanical	Electronic
Deadbolt w/ key override 	TV	Latchbolt operated by lever either side, except when outside lever is locked by internal motor drive mechanism; latchbolt is retracted by key outside. Deadbolt operated by key outside and turn lever inside. When deadbolt is extended, turning inside lever or electronically unlocked outside lever retracts both deadbolt and latchbolt simultaneously. Auxiliary latch deadlocks latchbolt.	Internal motor drive mechanism operated by electronic signal when presenting valid card. Green light indicates valid access. Red light and sounder indicate invalid access attempt. Lock records card number, time, date and type of event. Electronic sensor recognizes whether deadbolt is retracted or thrown. Lock grants access only to deadbolt-authorized personnel when deadbolt is thrown.
Deadbolt w/o key override 	LV	Latchbolt operated by lever either side, except when outside lever is locked by internal motor drive mechanism. Deadbolt operated by turn lever inside. When deadbolt is extended, turning inside lever or electronically unlocked outside lever retracts both deadbolt and latchbolt simultaneously. Auxiliary latch deadlocks latchbolt.	
Latch w/key override 	DV	Latchbolt operated by lever either side, except when outside lever is locked by internal motor drive mechanism; latchbolt is retracted by key outside. Auxiliary latch deadlocks the latchbolt.	
Latch w/o key override 	NV	Latchbolt operated by lever either side, except when outside lever is locked by internal motor drive mechanism. Auxiliary latch deadlocks the latchbolt.	

LEVER STYLES



KG SPECIFICATIONS



9KG Magnetic Stripe Reader



9KG Dual Validation Reader

MECHANICAL

Materials: Internal parts are brass, zinc or corrosion-treated steel.

Chassis: 2 1/16" diameter to fit 2 1/8" diameter hole in door.

Strike: Brass or bronze, 4 7/8" x 1 1/4" x 3/32". Fits standard door frame cut out as specified in ANSI A115.1. Correct strike automatically supplied with unit.

Backset: 2 3/4" standard, 3 3/4" and 5" available.

Door thickness: For doors 1 3/4" – 2 1/4" thick.

Installation: Lock dimensions requires modified door prep ANSI A156.2, Series 4000, Grade 1 to mount housing.

Core housing: 7 pin core.

Latchbolt: 9/16" throw.

Trim housing: 10 3/8" H x 3 1/4" W x 1" D sloping down to 3/4".

Lever handle: Made from high-quality zinc alloy. Body is approximately 1 5/8" in diameter: Handle is approximately 4 3/4" in length (from center-line of chassis). (Lever #3, #14 and #15 conform to California Titles 19 and 24.)

Finish: 605-bright brass, clear coated; 606-satin brass, clear coated; 612-satin bronze, clear coated; 625-bright chromium plated; 626-satin chromium plated; 690*- dark bronze coated (brass base material)

*690 finish will continue as a dark brown appearance over time.

ELECTRONIC

Magnetic Stripe Card Reader:

Primary power: 4 AA Alkaline batteries.

User feedback indicators: Audible and Visible.

Operating temperature (Exterior side of door): -35°C to +66°C (-31°F to +150°F).

Read rate: 2 to 60 inches per second.

Card thickness: Accepts standard 0.030 inch card thickness.

Compliance: Compliant with FCC, Canadian, and European EMC requirements and for FCC Class A digital interference.

Dual Validation – Combination Keypad & Magstripe Reader:

Bezel size: 2 5/8" x 3 1/4".

Material: Bezel– High impact ABS. **Keypad–** Encapsulated elastomer.

ESD Protection: 15KV.

Button operating life: 1 million cycles.

Operating temperature: -35°C to +66°C (-31°F to +151°F).

Compliance: Compliant with FCC, Canadian, and European EMC requirements and for FCC Class A digital interference.

KG FUNCTION

Diagram	Function Code	Mechanical	Electronic
	DV	Dead locking latchbolt operated by lever either side, except when outside lever is locked by internal motor drive mechanism; latchbolt is deadlocked	Internal motor drive mechanism operated by time-activated electronic signal or presenting valid card/PIN. Green light indicates valid access. Red light and sounder indicate invalid access attempt. Lock records card number, time, date and type of event.





Magnetic Stripe
Card Reader



Magnetic Strip/Keypad
Combination Card Reader

MECHANICAL

Materials: Internal parts are brass, zinc or corrosion-treated steel. Brass or bronze, 4 7/8" x 1 1/4" x 3/32".

Fits standard door frame cut out as specified in ANSI A115.1. Correct strike automatically supplied with unit.

Lever handle: Brass or bronze. (Lever #14 and #15 conform to California Titles 19 and 24.)

Finish: 606-Satin brass, clear coated; 613-oxidized satin bronze, oil rubbed; 626-satin chromium plated; 690*- dark bronze coated (brass base material).

*613 finish is designed to wear over time, providing an "antique" appearance.

ELECTRONIC

Primary power: Alkaline battery pack.

Memory backup: Maintains programming to 100 years.

User feedback indicators: Visual and Audible.

Operating & Storage temperature: -30°C to +60°C (-22°F to +140°F).

Relative humidity: 10% to 90% non-condensing.

Shock: 2000 Gs RMS (maximum door-slam shock)

Compliance to FCC , Canadian, EMC requirements; for interference FCC Class A digital apparatus.

KEYPAD

Bezel size: 2 5/8" x 3 1/4"

Material: Bezel—high impact ABS, Keypad—silicone rubber.

ESD Protection: 15KV.

Button operating life: 3-5 million cycles.

Button operating force: 3.88 ounces.

Operating temperature: -35°C to +55°C (-31°F to +101°F).

Storage temperature: -40°C to +55°C (-40°F to +101°F).

Sealing: Weatherproof gasket provides protection for outdoor use.

(Usable in all environmental/exterior applications.)

BATTERY LIFE CHART

Reader	Standard Battery Pack		Extended Battery Pack (Not available on EX Series)	
	Cylinder Cycles, Years	Mortise Cycles, Years	Cylinder Cycles, Years	Mortise Cycles, Years
Magstripe	65,000 / 2-5 yrs.	130,000 / 3-5 yrs.	130,000 / 3-5 yrs.	250,000 / 4-5 yrs.
Dual Val	65,000 / 2-5 yrs.	130,000 / 3-5 yrs.	130,000 / 3-5 yrs.	145,000 / 3-5 yrs.

HOW TO ORDER-B.A.S.I.S. HG

45HG Series	7 Core Housing	TV Function Code	14 Lever Style	MS Trim Style	626 Finish	RH Door	Options Hand
45HG- B.A.S.I.S. G	0**- keyless 7- 7 pin housing; accepts all BEST cores	DV- latch with key TV- deadbolt with key LV- deadbolt without key NV- latch without key	Levers: 3**- solid tube/ w/return 12*- solid tube/ no return 14- curved return 15- contour angle return 16- curved no return 17*- gull wing Knobs: 4- round	DV- dual validation (magstripe and keypad) MS- magnetic stripe DVA- other cylinder MSA- other cylinder	626 690 Satin* 606 612 Bright* 605 625	RH RHRB LH LHRB	EXBB* - extended life battery pack (Battery door available in 622 finish only) KOS* - key override sensor SH* - security head screws Thick door* - specify thickness TAC* - tactile lever 7/8" LTC* - flat lip strike

* Extra cost option. ** Cost deduction. Must specify keymark and number of keys.

HOW TO ORDER-B.A.S.I.S. KG

93KG Backset	7 Core Housing	DV Function Code	14 Lever Style	MS Rose Style	STK Strike Package	626 Finish	Options
93KG- 2 3/4" 94KG- 3 3/4" 95KG- 5"	0- keyless 6- 6 pin non-IC cyl. 7- 7 pin housing; accepts all BEST cores	DV- with key	14- curved return 15- contour angle return 16- curved no return	DV- dual val (magstripe and keypad) MS- magnetic stripe	STK- standard S3- ANSI	626 690 Satin* 606 612 Bright* 605 625	EXBB* - extended life battery pack LM - lost motion SH* - security head screws TAC* - tactile lever 3/4* - 3/4" throw latch 7/8" LTC* - flat lip strike OB** - non-IC zero-botted KA** - non-IC keyed alike KD** - non-IC keyed different COR*** - non-IC Corbin-Russwin MED*** - non-IC Medeco SAR*** - non-IC Sargent SCH*** - non-IC Schlage YAL*** - non-IC Yale SCHRC*** - Schlage RC

* Extra cost option. Must specify keymark and number of keys.

** Six-pin cylinder in Schlage "C" keyway included with OB, KA, KD options. Must specify "6" for core housing.

*** Cylinder not included with COR, MED, SAR, SCH, YAL, or SCHRC options. Must specify "0" for core housing.

HOW TO ORDER-B.A.S.I.S. EXG

EXG Series	7 Core Housing	EV Function Code	14 Lever Style	MS Trim Style	626 Finish	RHR Door Hand	PH1 Manufacturer	RM Locking Type	Options
EXG- B.A.S.I.S. G	0** - keyless 7- 7 pin housing; accepts all BEST cores	EV- with key** NV- w/out key	14- curved return 15- contour angle return	MS- magnetic stripe DV- dual val (magstripe and keypad)	626 690 satin* 606 613	RHRB LHRB	VD9- VonDuprin 98/99 series PH1- Precision hardware 1000 PH2- Precision hardware 2000 SA8- Sargent 8000 series ***	RM- rim*** MO - mortise RD - surface & concealed vertical rods	SH* - security head screws Thick Door* - specify thickness

* Extra cost option. Must specify keymark and number of keys

** EV function (key override) is not available on PH1000 (all models) Von Duprin mortise type, or Sargent Rim type device.

***SA8 Only available with Rim Type device.

Stanley Security Solutions, Inc.

6161 E. 75th Street Indianapolis, Indiana 46250

www.stanleysecuritysolutions.com

STANLEY
Security Solutions



B.A.S.I.S.® V

STAND-ALONE ELECTRONIC LOCKS



STAND-ALONE ELECTRONIC LOCKS

TABLE OF CONTENTS		Page	Page
Introduction	2	KBV lever styles	7
Software and hardware features	2	Standard cards	7
System components	3	EX specifications	8
HBV specifications.....	4	Options	9
HBV functions	5	Battery life chart	9
HBV lever styles	5	Patented keying system.....	9
KBV specifications	6	Order procedure.....	10, 11
KBV functions	7		

INTRODUCTION

Introducing **B.A.S.I.S.® V** – a highly efficient stand-alone lock system that utilizes card reader technology and is integrated into B.A.S.I.S.® software. With **B.A.S.I.S.® V**, ID cards are encoded with all the necessary information to control door access. The system integrates with virtually any existing database, and allows unsurpassed capabilities in storing and retrieving access activity data. **B.A.S.I.S.® V** involves no costly wiring, is easy to manage, and offers a broad range of integrated features. In fact, everything about **B.A.S.I.S.® V** was designed to think ... so you don't have to.

SOFTWARE FEATURES

- **B.A.S.I.S.® V** (an off-line system) is integrated into Stanley Security Solutions on-line software, eliminating the inefficiencies of having two separate systems – one for off-line and one for on-line.
- Can dynamically integrate with most existing databases with real-time information updates, eliminating the tedious process of re-entering user data.
- Multiple locations can be networked to conveniently access a single database.
- Open architecture allows ease of upgrading and adding equipment to your system.
- Complete history of access activity can easily be obtained.
- Automatic backup reduces the risk of losing data.
- Operates on a desktop PC, or laptop PC.
- Provides easy-to-use menus and dialog boxes.
- Is password protected.
- Stores as many lockset configurations as you have disk space for.
- Lets you create new lockset configurations by copying and editing existing configurations.
- Downloading of history events and the generation of reports.

HARDWARE FEATURES

- Mag stripe available as track 1 or track 2.
- Swipe reader that reads ISO standard size I.D. cards.
- Battery life varies depending on the token reader and chassis type chosen. (See page 12 for battery pack chart.)
- Costs are controlled by availability of replacement parts versus having to replace entire unit.
- Local factory-trained technical services are available 24 hours a day to meet any emergency need.
- **B.A.S.I.S.® V** can allow or record 5,000 users / history per lockset.
- Heavy-duty mechanical platform designed and manufactured for the toughest applications.
- Key override detection records and documents when a key is used. (Key override feature available only on mortise **B.A.S.I.S.® V**.)
- Deadbolt sensing prevents access to unauthorized cards when deadbolt is thrown.
- Interchangeable core mechanical override allows for emergency access.
- **B.A.S.I.S.® V** hardware is available in trims and most finishes that match BEST's 9K cylindrical series and 40H mortise series, providing aesthetic continuity.
- Weather-resistant for versatile applications, including doors exposed to inclement conditions.
- Available in Indala and HID proximity readers, smart card, mag stripe card, and combination mag stripe and keypad for dual validation.

SYSTEM COMPONENTS

The **B.A.S.I.S.® V** System is an electronic access control system that can be programmed to meet your facilities access control needs. The system is designed to secure your facility by granting specific access rights to authorized people, based on a defined time schedule for each lock in the system. By tracking events at the locks, the system provides information to help you maintain the security of your facility.



SYSTEM COMPONENTS DESCRIPTION

- 1 B.A.S.I.S.® Software**– Software that lets you define programming settings and the user database for groups of locks, as well as individual locks. The software lets you view and print information about locks at any time. (To order, contact your local Stanley Security Solutions office.)
- 2 Programming Cable** – Programming cable allows you to connect to individual locks. (To order, contact your local Stanley Security Solutions office.)
- 3 Mag Stripe Cards** – A credit-card-size card with a magnetic stripe containing information. These cards can be encoded and sent to the user or encoded by the user at their facility. (To order, see page 10.)
Proximity Cards – A credit-card-size card with a proximity chip containing information. (To order, see page 10.)
- 4 Mag Stripe Card Encoder** – The device that “reads”, “writes” and “erases” information on the magnetic-stripe card. This also includes the software that controls the card encoder. Requires a PC & B.A.S.I.S.® software. (To order, see page 11.)
- 5 Mag Stripe Reader** – A battery-powered, self-contained swipe reader electronic lock that uses standard mag stripe cards. Controls access to door and can be programmed with B.A.S.I.S.® software. (To order, see page 10.)
- 6 Dual Validation Reader** – A battery-powered, self-contained dual validation reader electronic lock that combines standard mag stripe and keypad validation. Controls access to door and can be programmed with B.A.S.I.S.® software. (To order, see page 10.)
- 7 Proximity Reader** – A battery-powered, self-contained proximity card reader electronic lock that uses standard proximity cards. Controls access to door and can be programmed with B.A.S.I.S.® software. (To order, see page 10.)
- 8 PDA**– A PDA Personal Digital Assistant that connects to a PC to transport programming data from a B.A.S.I.S.® system to the lockset or retrieve history data. The PDA can also provide diagnostic data from the lockset. Transports software for the PDA is included in the B.A.S.I.S.® software.
(Contact your local Stanley Security Solutions office or visit our web site for a recommended BEST – supported device.)

HBV SPECIFICATIONS

MECHANICAL

- Case:** 0.095" cold rolled steel, 5 7/8" H x 7/8" D x 4 1/16" W. Steel is zinc dichromate plated for corrosion protection
- Faceplate:** Brass or bronze material, 8" H x 1 1/4" W x 1/16" T. Lock face automatically adjusts to proper bevel during installation
- Strike:** Brass, bronze, or stainless steel base material, 4 7/8" H x 1 1/4" W x 3/32" T. Fits standard door frame cut out as specified in ANSI A115.1. Universal (non-handed) strike supplied standard with lock
- Backset:** 2 3/4"
- Door Thickness:** Standard lock configuration designed for doors 1 3/4" thick. Thick door configuration available for doors up to 3" thick (specify thickness when ordering)
- Latchbolt:** Solid stainless steel, 3/4" throw. Latch is oil-impregnated for anti-friction operation. Reversible without opening case.
- Deadbolt:** Stainless steel, 1" throw
- Auxiliary bolt:** Stainless steel, non-handed
- Lever handle:** Brass, bronze, or stainless steel base material. Lever styles 3, 14, and 15 return to a minimum of 1/2" of door surface. Lever 12, 16 and 17 do not return.
- Escutcheons:** 10 3/8" H x 3 1/4" W x 1" D (1" at the top, sloping down to 3/4" at the bottom)
- Finishes:** **605-** bright brass, clear coated; **606-** satin brass, clear coated; **611-** bright bronze, clear coated; **612-** satin bronze, clear coated; **613*-** oxidized satin bronze, oil rubbed; **625-** bright chromium plated (brass base material); **626-** satin chromium plated (brass base material); **629-** bright stainless steel; **630-** satin stainless steel; **690*-** dark bronze coated (brass base material)
- * 613 finish is designed to wear over time, providing an "antique" appearance. 690 finish will continue as a dark brown appearance over time.

ELECTRONIC

Specifications for all HBV Readers:

- Primary power:** Alkaline battery pack
- Memory backup:** Maintains programming and history data for up to 3 months after loss of power
- User feedback indicators:** Visual and audible
- Serial communications port:** Used for programming lock from laptop or PDA
- Operating temperature:** -35°C to +66°C (-31°F to +151°F)
- Relative humidity:** 10% to 90% non-condensing
- Sealing:** Weatherproof lens and gasket provides protection for outdoor use (Usable in most environmental/exterior applications)

Magnetic Stripe Reader Specifications:

- Bezel material:** High impact ABS
- Read rate:** 5 inches per second to 50 inches per second
- Card thickness:** ISO standard .030" ± .003 thick
- Compliance:** Compliant with US, Canadian, and European EMC requirements, and for FCC Class A

Proximity Reader Specifications (HID and Indala formats):

- Bezel size:** 2 5/8" x 3 1/4"
- Bezel material:** High impact ABS
- ESD Protection:** 15 Kilovolts
- Reader range:** 0" – 3" from face of reader
- Compliance:** Compliance with US, Canadian, and European EMC requirements, and for FCC Class A

Dual Validation Reader Specifications (Magnetic Stripe & Keypad):

- Bezel size:** 2 5/8" x 3 1/4"
- Material: Bezel–** High impact ABS
- Keypad–** Encapsulated elastomer
- ESD Protection:** 15 Kilovolts
- Keypad button operating life:** 1 million cycles
- Compliance:** Compliance with US, Canadian, and European EMC requirements, and for FCC Class A



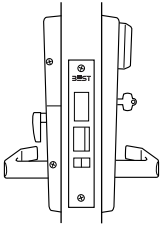
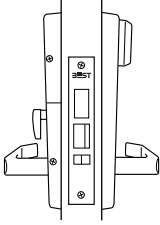
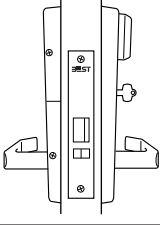
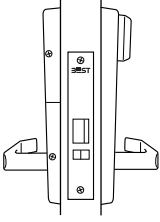
Magnetic Stripe Reader



Proximity Reader



Dual Validation Reader

Diagram	Function Code	Mechanical	Electronic
<p>Deadbolt w/ key override</p> 	TV	Latchbolt operated by lever either side, except when outside lever is locked by internal motor drive mechanism; latchbolt is retracted by key outside. Deadbolt operated by key outside and turn lever inside. When deadbolt is extended, turning inside lever or electronically unlocked outside lever retracts both deadbolt and latchbolt simultaneously. Auxiliary latch deadlocks latchbolt.	<p>Internal motor drive mechanism operated by electronic signal when presenting valid token. Green light indicates valid access. Red light and sounder indicate invalid access attempt. Lock records card number, time, date and type of event. Electronic sensor recognizes whether deadbolt is retracted or thrown. Lock grants access only to deadbolt-authorized personnel when deadbolt is thrown.</p>
<p>Deadbolt w/o key override</p> 	LV	Latchbolt operated by lever either side, except when outside lever is locked by internal motor drive mechanism. Deadbolt operated by turn lever inside. When deadbolt is extended, turning inside lever or electronically unlocked outside lever retracts both deadbolt and latchbolt simultaneously. Auxiliary latch deadlocks latchbolt.	
<p>Latch w/key override</p> 	DV	Latchbolt operated by lever either side, except when outside lever is locked by internal motor drive mechanism; latchbolt is retracted by key outside. Auxiliary latch deadlocks the latchbolt.	
<p>Latch w/o key override</p> 	NV	Latchbolt operated by lever either side, except when outside lever is locked by internal motor drive mechanism. Auxiliary latch deadlocks the latchbolt.	

HBV LEVERS



#3 lever



#4 knob



#12 lever



#14 lever



#15 lever



#16 lever



#17 lever

KBV SPECIFICATIONS

MECHANICAL

Materials: Internal parts are brass, zinc or corrosion-treated steel

Chassis: 2 1/16" diameter to fit 2 1/8" diameter hole in door.

Strike: Brass or bronze, 4 7/8" x 1 1/4" x 3/32". Fits standard door frame cut out as specified in ANSI A115.1. Correct strike automatically supplied with unit

Backset: 2 3/4" standard. 3 3/4" and 5" available

Door thickness: For doors 1 3/4" - 2 1/4" thick

Installation: Lock dimensions requires modified door prep, ANSI A156.2 Series 4000, Grade 1 to mount housing

Latchbolt: 9/16" throw

Trim housing: Dimensions: 10 3/8" H x 3 1/4" W x 1" D sloping down to 3/4"

Lever handle: Made from high-quality zinc alloy. Body is approximately 1 5/8" in diameter. Handle is approximately 4 3/4" in length (from center-line of chassis). (Lever #3, #14 and #15 conform to California Titles 19 and 24.)

Finish: 605-bright brass, clear coated; 606-satin brass, clear coated; 612-satin bronze, clear coated; 625-bright chromium plated; 626-satin chromium plated; 690*- dark bronze coated (brass base material)

* 690 finish will continue as a dark brown appearance over time.



Magnetic Stripe Reader

ELECTRONIC

SPECIFICATIONS FOR ALL READERS:

Primary power: Alkaline battery pack

Memory backup: Maintains programming and history data for up to 3 months after loss of power

User feedback indicators: Visual and audible

Serial communications port: Can be used to program locks individually

Operating temperature: -35°C to +66°C (-31°F to +151°F)

Relative humidity: 10% to 90% non-condensing

Sealing: Weatherproof lens and gasket provides protection for outdoor use.

(Usable in all environmental/exterior applications.)

Battery Life: See page 9 for battery life chart



Proximity Reader

Magnetic Stripe Card Reader:

Read Rate: 5 inches per second to 50 inches per second

Card thickness: ISO standard .030" ± .003 thick

Compliance: Compliance to FCC, Canadian, and European EMC requirements; for interference FCC Class A digital apparatus

Proximity Reader (HID and Indala formats):

Bezel size: 2 5/8" x 3 1/4"

Material: Bezel- High impact ABS

ESD Protection: 15KV

Reader range: Card reader range 0" - 3"

Compliance: Compliance to FCC, Canadian, and European EMC requirements; for interference FCC Class A digital apparatus



Dual Validation Reader

Dual Validation – Combination Keypad & Magstripe Reader:

Bezel size: 2 5/8" x 3 1/4"

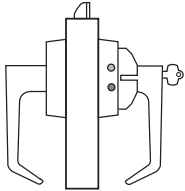
Material: Bezel- High impact ABS

Keypad- Encapsulated elastomer

ESD Protection: 15KV

Button operating life: 1 million cycles

Compliance: Compliant to FCC and Canadian EMC requirements, and for FCC Class A

Diagram	Function Code	Mechanical	Electronic
<p>Cylindrical Latch w/key override</p> 	DV	Dead locking latchbolt operated by lever either side, except when outside lever is locked by internal motor drive mechanism; latchbolt is deadlocked.	Internal motor drive mechanism operated by time-activated electronic signal, or presenting valid card/PIN. Green light indicates valid access. Red light and sounder indicate invalid access attempt. Lock records card/PIN number, time, date and type of event.

KBV LEVER STYLES



#14 lever



#15 lever



#16 lever

STANDARD CARDS

Card Specifications:

- Standard credit card size
- ISO standard .030" ±.003 thickness (PVC or Polyester)
- High coercivity ABA 3 tracks



Photo I.D. Card



Custom Graphics Card



**Serialized Cards
Magnetic Stripe / Proximity**

EX SPECIFICATIONS

Adapts to: Precision's 1000 & 2000 series.

Von Duprin 98/99 series.

Sargent 8000 series rim type device.

Devices supported:

- Rim device
- Surface vertical rod
- Concealed vertical rod
- Mortise

MECHANICAL

Materials: Internal parts are brass, zinc or corrosion-treated steel

Chassis: 2 1/16" diameter to fit 2 1/8" diameter hole in door

Strike: Brass or bronze, 4 7/8" x 1 1/4" x 3/32". Fits standard door frame cut out as specified in ANSI A115.1. Correct strike automatically supplied with unit.

Backset: 2 3/4" standard, 3 3/4" and 5" available

Door thickness: For doors 1 3/4" - 2 1/4" thick

Installation: Lock dimensions requires modified door prep ANSI A156.2 Series 4000, Grade 1 to mount housing

Latchbolt: 1/16" throw

Die cast trim housing: Dimensions: 10 3/8" H x 3 1/4" W x 1" D sloping down to 3/4"

Lever handle: Brass or bronze. (Lever #14 and #15 conform to California Titles 19 and 24.)

Finish: 606-Satin brass, clear coated; 613*- oxidized satin bronze, oil rubbed; 626-satin chromium plated; 690*- dark bronze coated (brass base material)

* 613 finish is designed to wear over time, providing an "antique" appearance.

ELECTRONIC

Primary power: Alkaline battery pack

Memory backup: Maintains programming to 3 months after loss of power

User feedback indicators: Visual and Audible

Operating & Storage temperature: -30°C to +60°C (-22°F to +140°F).

Relative humidity: 10% to 90% non-condensing

Shock: 2000 Gs RMS (maximum door-slam shock)

Compliance: Compliance to FCC, Canadian, and European EMC requirements; for interference FCC Class A digital apparatus

KEYPAD

Bezel size: 2 5/8" x 3 1/4"

Material: Bezel- High impact ABS

Keypad- Encapsulated elastomer

ESD Protection: 15KV

Button operating life: 3-5 million cycles

Button operating force: 3.88 ounces

Operating temperature: -35°C to +55°C (-31°F to +101°F)

Storage temperature: -40°C to +55°C (-40°F to +101°F)

Sealing: Weatherproof gasket provides protection for outdoor use.

(Usable in all environmental/exterior applications)



Proximity Card Reader



Magnetic Stripe Reader



Dual Validation Reader

AL– Abrasive levers are available with a special abrasive feature. Abrasive strip on the lever immediately identifies warnings on doors to hazardous areas for the blind.

EXBB– Extended battery packs for longer reader life.

LM– The Lost Motion feature allows the lever handle to move 45 degrees from parallel to the horizontal plane without engaging the latchbolt assembly. When the lockset is in the locked mode, this feature makes over-torque or over-leverage abuse more difficult to achieve.

SH– Security head screws provided for all exposed screws.

TL– Tactile levers may be used in areas where improved grip is required or as a warning in hazardous or Safety First areas. Grooves are machined into the back of the hand grasp portion of the lever to improve grip and/or provide a sensory warning. This option can be used for blind, safety, or accessibility applications.

BATTERY LIFE CHART

Reader	Standard Battery Pack		Extended Battery Pack (Not available on EX Series)	
	Cylindrical Cycles	Mortise/Exit Trim Cycles	Cylindrical Cycles	Mortise Cycles
Magnetic Stripe	65,000	130,000	130,000	250,000
Proximity	50,000	75,000	95,000	145,000
Dual Validation	65,000	130,000	130,000	250,000

CORMAX™ PATENTED KEYING SYSTEM

BEST® CORMAX™ is the premier patented keying system offered by Stanley Security Solutions. CORMAX will meet your needs for security, key control, and convenience. A simple solution with no compromising allowed.

CORMAX is the upgrade path for existing BEST Standard, Premium, and MX8 customers; and it is an essential element of non-residential access control as security administrators strive to eliminate the unauthorized duplication of keys.

CORMAX offers the following features and benefits:

- A long-term US utility patent that guarantees the extended useful life of the system through 2027.
- A second, independent locking mechanism that utilizes a patented set of built-in side pins to provide higher security.
- Several levels of geographical exclusivity, including national exclusivity, are available via the patented side pin feature.
- CORMAX cores and keys are available exclusively through Stanley sales offices. Key blanks are only sold to individuals authorized by the customer to ensure key blanks do not end up in the possession of unauthorized personnel either inside or outside the customer’s facility.
- CORMAX cores are certified to meet the security, safety, and reliability requirements of BHMA A156.5 Grade 1.
- Picking and drilling resistance options are available if higher levels of security are desired.
- Complete factory masterkeying service offered, and at no charge with purchase of BEST locksets and PHI exit devices.
- Keyways are organized in families of four keyways each, with double-milled and quad-milled key levels to facilitate the design of masterkey systems in multi-building campuses.
- BEST CORMAX cores are compatible with all existing BEST interchangeable core housings, eliminating the need for new or modified locksets.



**CORMAX™
Patented Keying System**

ORDER PROCEDURE**BV SERIES SYSTEM**

Part Description	Catalog Number
Programming Cable	BASD – CAB
Mag Stripe Encoder	MSR – 20633BA
B.A.S.I.S. Software	BAS – SWS – V

BV SERIES ACCESSORIES (not shown)

Part Description	Catalog Number
Standard Driver Bit	VPD – T15
Cleaning Cards (Box of 50)	VPD – CLN
Replacement Battery Pack	VPD – BB
Extended Battery Pack	VPD – EXBB

BV SERIES CARDS AND CARD OPTIONS

Part Description	Catalog Number
Magnetic Stripe cards non-encoded (Stanley branded):	
PVC - (Box of 500)	VPA – PVC
Polyester - (Box of 500)	VPA – POLY
PVC (single card)	VPA – PVC – SC
Polyester (single card)	VPA – POLY – SC
Magnetic Stripe cards encoded (Stanley branded):	
PVC (single card)	VPA – PVC – SCEN
Polyester (single card)	VPA – POLY – SCEN
Proximity cards non-encoded (HID & Indala branded):	
HID® Clam shell (box of 100) HID® branded	1326 – LSS – MV
Indala® Clam shell (box of 100) Indala® branded	FPCRD – SSSMW – 0000

**ORDER PROCEDURE
HBV Series**

45HBV Series	7 Core Housing	TV Function Code	14 Lever Style	MS Trim Style	626 Finish	RH Door	Options Hand
45HBV-mortise	0** - keyless 7-7 pin housing; accepts all BEST cores	DV- latch with key TV- deadbolt with key LV- deadbolt without key NV- latch without key	Levers: 3** - solid tube/ w/return ♿ 12** - solid tube/ no return ♿ 14- curved return ♿ 15- contour angle return ♿ 16- curved no return ♿ 17** - gull wing ♿ Knobs: 4- round	DV- dual validation (magstripe and keypad) MS- magnetic stripe PH- proximity HID PM- proximity indala DVA- other cylinder MSA- other cylinder PHA- other cylinder PMA- other cylinder	626 630 690 Satin* 606 612 613 Bright* 605 611 625 629	RH RHRB LH LHRB	ABA or Weigard- prox reader only EXBB* - extended life battery pack (Battery door available in 622 finish only) KOS* - key override sensor SH* - security head screws Thick door* - specify thickness TAC* - tactile lever 7/8" LTC* - flat lip strike

* Extra cost option. ** Cost deduction. Must specify keymark and number of keys.

KBV Series

93KBV Backset	7 Core Housing	DV Function Code	14 Lever Style	MS Rose Style	STK Strike Package	626 Finish	Options
93KBV- 2 3/4" cylindrical 94KBV- 3 3/4" cylindrical 95KBV- 5" cylindrical	0- keyless 6-6 pin non-IC cyl. 7-7 pin housing; accepts all BEST cores	DV- with key	14- curved ♿ return 15- contour ♿ angle return 16- curved ♿ no return	DV- dual val (magstripe and keypad) MS- magnetic stripe PH- proximity HID PM- proximity indala	STK- standard S3- ANSI	626 690 Satin* 606 612 Bright* 605 625	EXBB* - extended life battery pack (Battery door available in 622 finish only) LM- lost motion SH* - security head screws TAC* - tactile lever 3/4* - 3/4" throw latch 7/8" LTC* - flat lip strike OB** - non-IC zero-bitted KA** - non-IC keyed alike KD** - non-IC keyed different COR*** - non-IC Corbin-Russwin MED*** - non-IC Medeco SAR*** - non-IC Sargent SCH*** - non-IC Schlage YAL*** - non-IC Yale SCHRC*** - Schlage RC

* Extra cost option. Must specify keymark and number of keys.

** Six-pin cylinder in Schlage "C" keyway included with OB, KA, KD options. Must specify "6" for core housing.

*** Cylinder not included with COR, MED, SAR, SCH, YAL, or SCHRC options. Must specify "0" for core housing.

EX Series

EXBV Series	7 Core Housing	EV Function Code	14 Lever Style	MS Trim Style	626 Finish	RHR Door Hand	PH1 Manufacturer	RM Locking Type	Options
EXBV- exit device B.A.S.I.S. V	0** - keyless 7-7 pin housing; accepts all BEST cores	EV- with key** NV- w/out key	14- curved ♿ return 15- contour ♿ angle return	MS- magnetic stripe DV- dual val (magstripe and keypad) PH- proximity HID PM- proximity indala	626 690 satin* 606 613	RHRB LHRB	VD9- VonDuprin 98/99 series PH1- Precision hardware 1000 PH2- Precision hardware 2000 SA8- Sargent 8000 series ***	RM- rim*** MO- mortise RD- surface & concealed vertical rods	SH* - security head screws Thick Door* - specify thickness

* Extra cost option. Must specify keymark and number of keys

** EV function (key override) is not available on PH1000 (all models) Von Duprin mortise type, or Sargent Rim type device.

*** SA8 only available with rim type device.



For more information on Stanley Security Solutions' products, services, and office locations visit our web site at www.stanleysecuritysolutions.com

Product information contained in this catalog has been compiled and presented with as much care and completeness as is reasonably possible. Errors or mistakes may be present, and in many cases, reliance has been placed on information supplied by other manufacturers which may be in error or which may be subject to changes or modifications by the manufacturer without notice and without obligation. Therefore, no guarantee can be made or should be assumed or implied with regards to product information contained in this catalog.



Stanley Security Solutions, Inc.

6161 E. 75th Street Indianapolis, Indiana 46250

© 2010 Stanley Security Solutions, Inc. • www.stanleysecuritysolutions.com

10M R1110
BAS026

BEHAVIORAL HEALTHCARE SOLUTIONS



STANLEY PATIENT SAFETY LEVER (SPSL)
STANLEY SECLUSION ROOM LOCK (SSRL)
STANLEY EMERGENCY DOOR ALARM (SEDA)



TABLE OF CONTENTS		Page	Page
Introduction	2	SPSL Tubular functions	7
Vertical market application example	2	SPSL Tubular How to orde	7
SPSL Mortise features	3	SSRL introduction & features	8
SPSL Mortise functions	4-6	SEDA introduction	9
SPSL Mortise How to order	6	SEDA typical installations	9
SPSL Tubular features	7	SEDA elements	10-11

INTRODUCTION

Stanley Security Solutions is pleased to offer the Best Access Systems® behavioral healthcare solutions product portfolio. Facilities are challenged with maintaining a delicate balance of patient safety and security. The behavioral healthcare solutions portfolio provides a comprehensive breadth of products designed to meet these unique application challenges.

While no product can ever replicate the effectiveness of constant patient monitoring; we strive to present the most effective door locks, alarms and related hardware to assist facility staff in ensuring patient safety. Through close collaboration with behavioral healthcare professionals, Stanley Security Solutions has become the single source for the most up-to-date behavioral healthcare door safety solutions.

Specifications are subject to change. To ensure proper code compliance please consult the local AHJ - Authority Having Jurisdiction.

VERTICAL MARKET APPLICATION EXAMPLE: BEHAVIORAL HEALTHCARE FACILITY



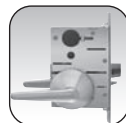
SEDA Desk Console



SEDA Power Supply



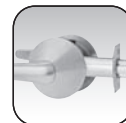
SEDA Controller



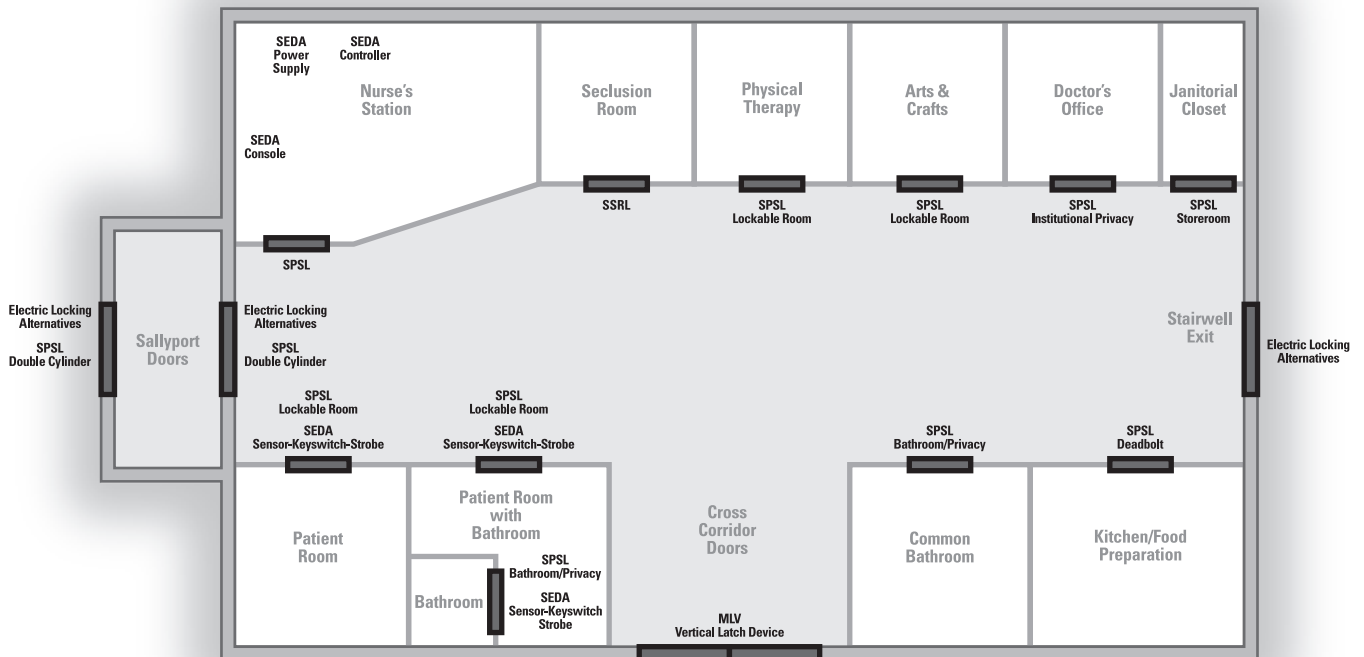
SPSL Mortise Passage Lockset



SSRL Multi-point Deadlocking



SPSL Tubular Lockset



SEDA Strobe Light



SPSL Mortise Security Lockset



SEDA Reset Keyswitch



SEDA Door Sensor Assembly



SEDA Electrified Power Transfer



SPSL Mortise Deadbolt Lockset

SPSL — STANLEY PATIENT SAFETY LEVER: MORTISE

Stanley Patient Safety Lever (SPSL) meets the needs of resisting ligature engagement on the lock trim while providing patients and staff with easy-to-operate hardware. The patent-pending design meets the intent of ADA (Americans with Disabilities Act) by eliminating the operational requirement "pinch & grasp" motion. The reliable performance and security found within the traditional Best Access Systems products is now available in an anti-ligature design.

The tight tolerances, smooth meshing of the lever and the non-moving conical lock escutcheon set the industry standard. As an added suicide resistant measure, the lever is always free-moving bi-directionally, regardless of the lock function. The solid stainless steel design represents the highest level of quality construction found in the industry.

A wide variety of locking needs are met by the different mortise lock functions.

Innovative Ligature-Resistant Features

Designed in collaboration with the nation's largest behavioral healthcare service providers and industry consultants

- Independent, tapered, bidirectional lever (patent pending design)
- Thru-bolted fixed conical escutcheon
- Low profile off the door

Durable Design

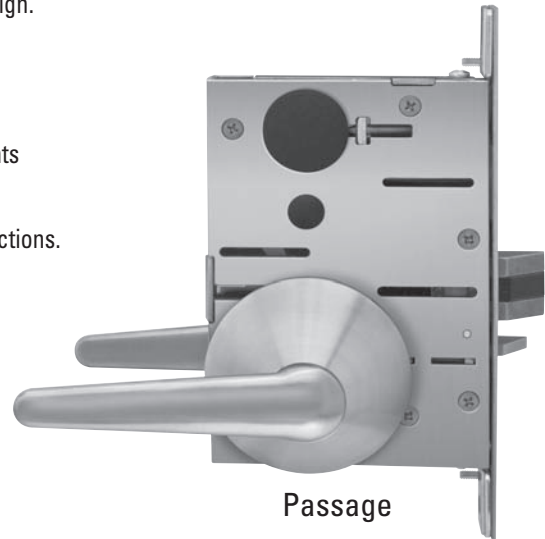
Proven performance on thousands of applications

- Independent lever springs in escutcheon
- Lever movement stops within escutcheon
- Stainless steel escutcheon and lever
- Fewer moving parts
- Accommodates 1³/₄" door thickness

Customer-Driven Functions

SPSL locksets meet the unique needs of the various spaces within a secured behavioral ward

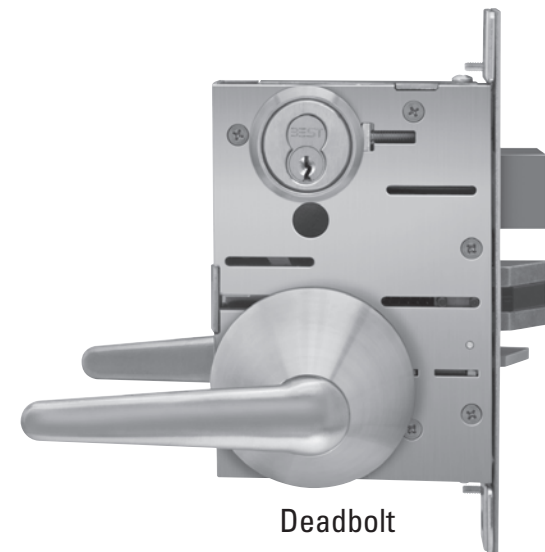
- **Patient Room** - Allows locking patient "out-of-room" and then converting to passage for other times. Free egress at all times.
- **Key Only Entry** - Key required at all time (storeroom), with anti-ligature levers. Free egress at all times.
- **Privacy** - Unique patent pending turnpiece design with traditional privacy anti-lockout function (including coin-turn cylinder for emergency entry)
- More industry - driven functions than any other lockset; See pages 4, 5, and 6.



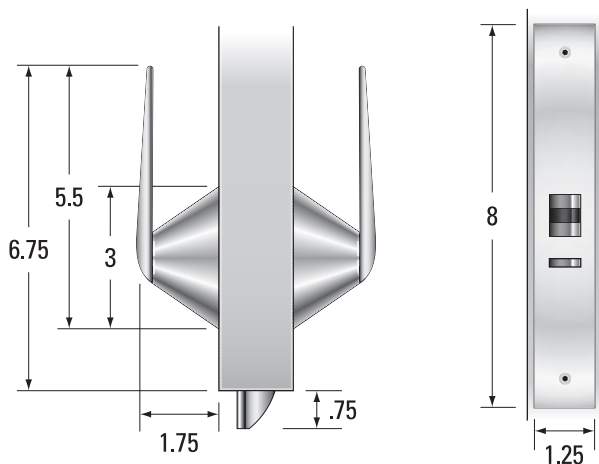
Passage



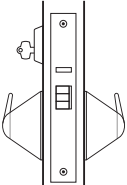
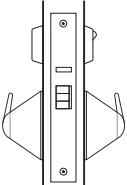
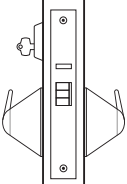
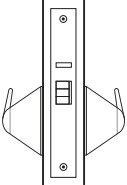
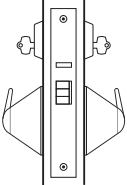
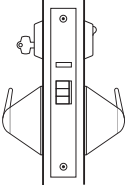
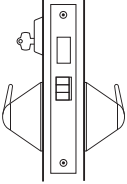
Security



Deadbolt

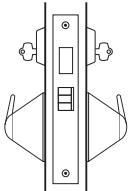
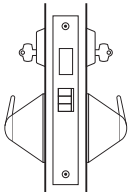
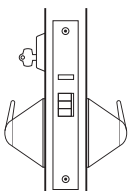
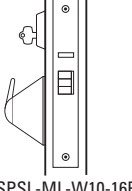
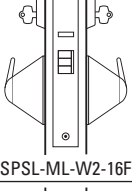




SPSL – MORTISE LOCK FUNCTIONS

Nomenclature	Behavioral Healthcare Function (Popular usage)	Nearest ANSI equivalent & Stanley #	Cylinders	Latch operated by	Element & operating information		
					Outside lever	Interior locking	Inside lever
Keyed - most popular							
 SPSL-ML-R-16F	Lockable Patient Room	R-Classroom F05	1	<ul style="list-style-type: none"> Rotating inside lever Rotating outside lever only when unlocked by key 	Lockable		Cannot be locked
 SPSL-ML-LT-16F	Bathroom /Privacy	LT-Bathroom Privacy	Special	<ul style="list-style-type: none"> Emergency entry via coin-turn cylinder Free egress at all times *Anti-lockout feature 	Lockable*	Turnpiece	Cannot be locked
 SPSL-ML-D-16F	Keyed entry	D-Storeroom F07	1	<ul style="list-style-type: none"> Key always required for entry Free egress at all times Exterior lever push/pull only 	Dummy		Cannot be locked
Keyless							
 SPSL-ML-ON-16F	Passage	ON-Passage F01	0	<ul style="list-style-type: none"> Rotating inside OR outside lever at any time 	Cannot be locked		Cannot be locked
Keyed - single & double cylinder							
 SPSL-ML-INL-16F	Lockable double cylinder	INL-Intruder F32	2	<ul style="list-style-type: none"> Cylinder on exterior OR interior activates/deactivates exterior lever. Free egress at all times 	Lockable	Cylinder	Cannot be locked
 SPSL-ML-A-16F	Office/privacy	A-Office Institutional privacy F26	1	<ul style="list-style-type: none"> Exterior cylinder OR interior cylinder Pressing the inside lever down allows free exiting from the room and reactivates the outside lever. Free egress at all times 	Lockable	Turnpiece	Cannot be locked
 SPSL-ML-T-16F	Deadbolt	T-Dormitory deadbolt F13	1	<ul style="list-style-type: none"> Key projects deadbolt Exterior lever retracts latch *Interior lever retracts latch and deadbolt 	Operable except when deadbolted		Cannot be locked*

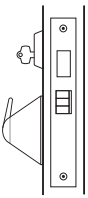
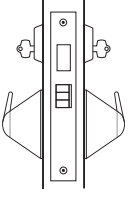
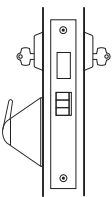
NOTES: Locked lever is always free-moving, but does not retract latch when "locked". Latchbolt deadlocked by auxiliary latch. Passage, privacy, and deadbolt models do not contain auxiliary deadlatch. Turnpiece, when used, is anti-ligature design. Coin-turn cylinder is operable without use of a key.

SPSL – MORTISE LOCK FUNCTIONS

Nomenclature	Behavioral Healthcare Function (Popular usage)	Nearest ANSI equivalent & Stanley #	Cylinders	Latch operated by	Element & operating information		
					Outside lever	Interior locking	Inside lever
Keyed - single & double cylinder (continued)							
 SPSL-ML-IND-16F	Deadbolt double cylinder	IND-Intruder deadbolt F33	2	<ul style="list-style-type: none"> • Exterior <u>OR</u> interior key projects deadbolt • Exterior lever retracts latch • *Interior lever retracts latch and deadbolt 	Operable except when deadbolted	Cylinder	Cannot be locked*
 SPSL-ML-IND2-16F	Keyed only deadbolt & latch	IND2-Storeroom deadbolt	2	<ul style="list-style-type: none"> • Exterior <u>OR</u> interior key projects deadbolt • Exterior <u>OR</u> interior key retracts latch and deadbolt 	Dummy	Cylinder	Dummy
Asylum - no free egress							
 SPSL-ML-W1-16F	Asylum	W1-Asylum	1	<ul style="list-style-type: none"> • Only exterior key retracts latch 	Dummy		Dummy
 SPSL-ML-W10-16F	Asylum No interior lever	W10-Asylum	1	<ul style="list-style-type: none"> • Exterior key retracts latch 	Dummy		None
 SPSL-ML-W2-16F	Asylum Double cylinder	W2-Asylum F30	2	<ul style="list-style-type: none"> • Exterior <u>OR</u> interior key retracts latch 	Dummy	Cylinder	Dummy
 SPSL-ML-W20-16F	Asylum Double cylinder No interior lever	W20-Asylum F30	2	<ul style="list-style-type: none"> • Exterior <u>OR</u> interior key retracts latch 	Dummy	Cylinder	None
 SPSL-ML-W3-16F	Asylum With deadbolt	W3-Asylum Deadbolt	1	<ul style="list-style-type: none"> • Exterior lever retracts latch • Deadbolt operated by key 	Cannot be locked		Dummy

NOTES: Locked lever is always free-moving, but does not retract latch when "locked". Latchbolt deadlocked by auxiliary latch. Passage, privacy, and deadbolt models do not contain auxiliary deadlatch. Turnpiece, when used, is anti-ligature design. Coin-turn cylinder is openable without use of a key.

SPSL – MORTISE LOCK FUNCTIONS

Nomenclature	Behavioral Healthcare Function (Popular usage)	Nearest ANSI equivalent & Stanley #	Cylinders	Latch operated by	Element & operating information		
					Outside lever	Interior locking	Inside lever
Asylum - no free egress (continued)							
 SPSL-ML-W30-16F	Asylum With deadbolt No interior lever	W30-Asylum Deadbolt	1	<ul style="list-style-type: none"> Exterior lever retracts latch Deadbolt operated by key 	Operable except when deadbolted		None
 SPSL-ML-W4-16F	Asylum With deadbolt Double cylinder	W4-Asylum Deadbolt	2	<ul style="list-style-type: none"> Exterior <u>OR</u> interior key operation Levers retract latch, not deadbolt Exterior <u>OR</u> interior key operates deadbolt 	Operable except when deadbolted	Cylinder	Operable except when deadbolted
 SPSL-ML-W40-16F	Asylum With deadbolt Double cylinder	W40-Asylum Deadbolt	2	<ul style="list-style-type: none"> Exterior <u>OR</u> interior key operation Exterior <u>OR</u> interior key operates deadbolt 	Operable except when deadbolted	Cylinder	None

NOTES: Locked lever is always free-moving, but does not retract latch when "locked". Latchbolt deadlocked by auxiliary latch. Passage, privacy, and deadbolt models do not contain auxiliary deadlatch. Turnpiece, when used, is anti-ligature design. Coin-turn cylinder is openable without use of a key.

HOW TO ORDER

SPSL Series	ML Chassis	R Function	16F Lever	630 Finish	RH* Hand	SH Options
SPSL – Stanley Patient Safety Lever	ML – Mortise	A – Office privacy D – Storeroom IND – Intruder deadbolt IND2 – Intruder storeroom deadbolt INL – Intruder latch LT – Bathroom privacy R – Classroom T – Dormitory deadbolt W1 – Asylum lever/lever W2 – Asylum double cyl lever/lever	W3 – Asylum deadbolt lever/lever W4 – Asylum deadbolt double cyl lever/lever W10 – Asylum lever/blank W20 – Asylum double cyl lever/blank W30 – Asylum deadbolt lever/blank W40 – Asylum lever/blank	16F – Anti-ligature lever	630 – Satin stainless steel	RH LH RHRB LHRB SH – Includes security head screws

To ensure proper code compliance, please consult the local AHJ - Authority Having Jurisdiction.

*Handed, not field reversible.

SPSL – STANLEY PATIENT SAFETY LEVER: CYLINDRICAL

Stanley Patient Safety Lever (SPSL) meets the needs of resisting ligature engagement on the lock trim while providing patients and staff with easy-to-operate hardware. The patent-pending design meets the intent of ADA (Americans with Disabilities Act) by eliminating the operational requirement "pinch & grasp" motion. The reliable performance and security found within the traditional Best Access Systems products is now available in an anti-ligature design.

The tight tolerances, smooth meshing of the lever and the non-moving conical lock escutcheon set the industry standard. As an added suicide resistant measure, the lever is always free-moving bidirectionally, regardless of the lock function. The solid stainless steel design represents the highest level of quality construction found in the industry.



Passage

Innovative Ligature-Resistant Features

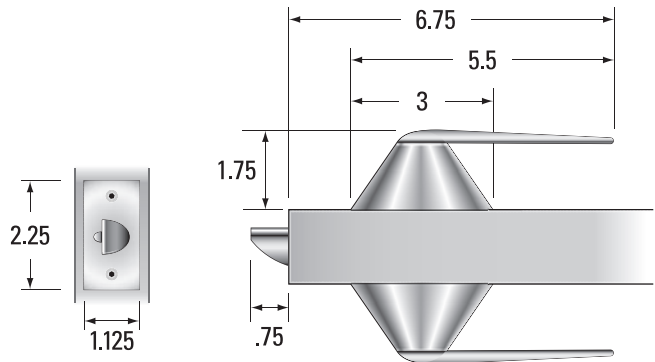
Designed in collaboration with the nation's largest behavioral healthcare service providers and industry consultants

- Independent, tapered, bidirectional lever (patent pending design)
- Thru-bolted fixed conical escutcheon
- Low profile off the door

Durable Design

Proven performance on thousands of applications

- Independent lever springs in escutcheon
- Lever movement stops within escutcheon
- Stainless steel escutcheon and lever
- Fewer moving parts
- Handed
- Accommodates 1 3/4" door thickness



SPSL – CYLINDRICAL LOCK FUNCTIONS

Nomenclature	Behavioral Healthcare Function (Popular usage)	Nearest ANSI equivalent & Stanley #	Latch operated by	Element & operating information		
				Outside lever	Interior locking	Inside lever
Keyless						
 SPSL-CL-ON-16F	Passage	ON-Passage F01	• Rotating inside <u>OR</u> outside lever	Cannot be locked		Cannot be locked

HOW TO ORDER

SPSL	CL	ON	16F	630	RH*	SH
Series	Chassis	Function	Lever	Finish	Hand	Options
SPSL – Stanley Patient Safety Lever	CL – Tubular 2 3/4" backset (69mm) CL5 – Tubular 5" backset (127mm)	ON – Tubular passage	16F – Anti-ligature lever	630 – Satin stainless steel	RH LH RHRB LHRB	SH – Includes security head screws

To ensure proper code compliance, please consult the local AHJ - Authority Having Jurisdiction.

*Handed, not field reversible.

SSRL – STANLEY SECLUSION ROOM LOCK

Stanley Seclusion Room Locks (SSRL) provide effective locking for behavioral health applications requiring temporary patient containment.

Single or multi-point bolts protrude into the frame or strike to provide added protection against unauthorized egress attempts. Pending the respective local code requirements, the SSRL can be ordered with features requiring continual or no supervision.

Continuous Supervision: (SSRLS-3, SSRLS-1) Bolts remain extended by facility staff engaging the lever.
No Supervision: (SSRLU-3, SSRLU-1) Bolts remain extended or locked via the lever operation

Multiple-point locking on the same horizontal plane provides optimal protection from functional wear and/or violent egress attempts. Single-point locking is effective in less severe locations. Unsupervised models require keyed release of the lever lock preventing unauthorized locking of the door.

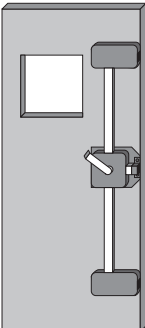
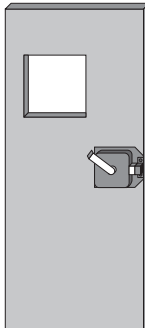
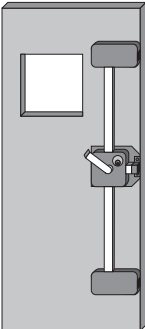
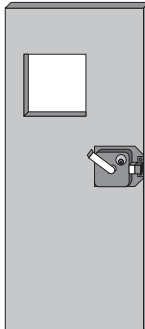
Retrofit applications, both in-swing and out-swing, are available. Out-swing applications require use of a surface-applied strike plate and mounting plate.

SSRL FEATURE SUMMARY

- Multi-point deadlocking
- Optional independent or supervised locking
- Stainless steel deadbolts 1" throw
- Surface mounted
- No exposed interior hardware



Supervised surface mounted

THREE POINT MODELS		SINGLE POINT MODELS	
<p>SSRLS-3 Constant Supervision Model 3-point w/ lever</p>  <p>Application: Behavioral Healthcare, Drug-Substance Abuse or Detention facilities</p> <p>Operation: Lever projects deadbolts; Deadbolts automatically retract when lever is released</p> <p>Please confirm code-compliance prior to ordering or installing</p>	<p>Locksets SSRLS-3 Constant supervision SSRLU-3 Unsupervised</p> <p>Strike SSRL-SK3 Aluminum angled strike kit for 3-point out-swing doors (not packed with lock; must order separately)</p>	<p>SSRLS-1 Constant Supervision Model Single point w/ lever</p>  <p>Application: Behavioral Healthcare, Drug-Substance Abuse or Detention facilities</p> <p>Operation: Lever projects deadbolts; Deadbolts automatically retract when lever is released</p> <p>Please confirm code-compliance prior to ordering or installing</p>	<p>SSRLS-1 Constant supervision SSRLS-1-SK1 Constant supervision; includes aluminum angled strike for out-swing doors SSRLU-1 Unsupervised SSRLU-1-SK1 Unsupervised; includes aluminum angled strike for out-swing doors SSRL-SK1 Strike kit for single point out-swing doors (may be ordered separately with SSRLS-1 or SSRLU-1)</p>
<p>SSRLU-3 Unsupervised Model 3-point w/ lever & cyl.</p>  <p>Application: Behavioral Healthcare, Drug-Substance Abuse or Detention facilities</p> <p>Operation: Lever projects/retract deadbolts; Cylinder locks lever</p> <p>Please confirm code-compliance prior to ordering or installing</p>	<p>Options -C Digital Counter (add after model number)</p> <p>HANDING IS REQUIRED Handing is determined by looking at the door from the OUTSIDE of the room and identifying the HINGE side.</p> <p>Strike kits are required for out-swing doors.</p>	<p>SSRLU-1 Unsupervised Model Single point w/ lever & cyl.</p>  <p>Application: Behavioral Healthcare, Drug-Substance Abuse or Detention facilities</p> <p>Operation: Lever projects/retract deadbolts; Cylinder locks lever</p> <p>Please confirm code-compliance prior to ordering or installing</p>	<p>HANDING IS REQUIRED Handing is determined by looking at the door from the OUTSIDE of the room and identifying the HINGE side.</p> <p>Strike kits are required for out-swing doors.</p>

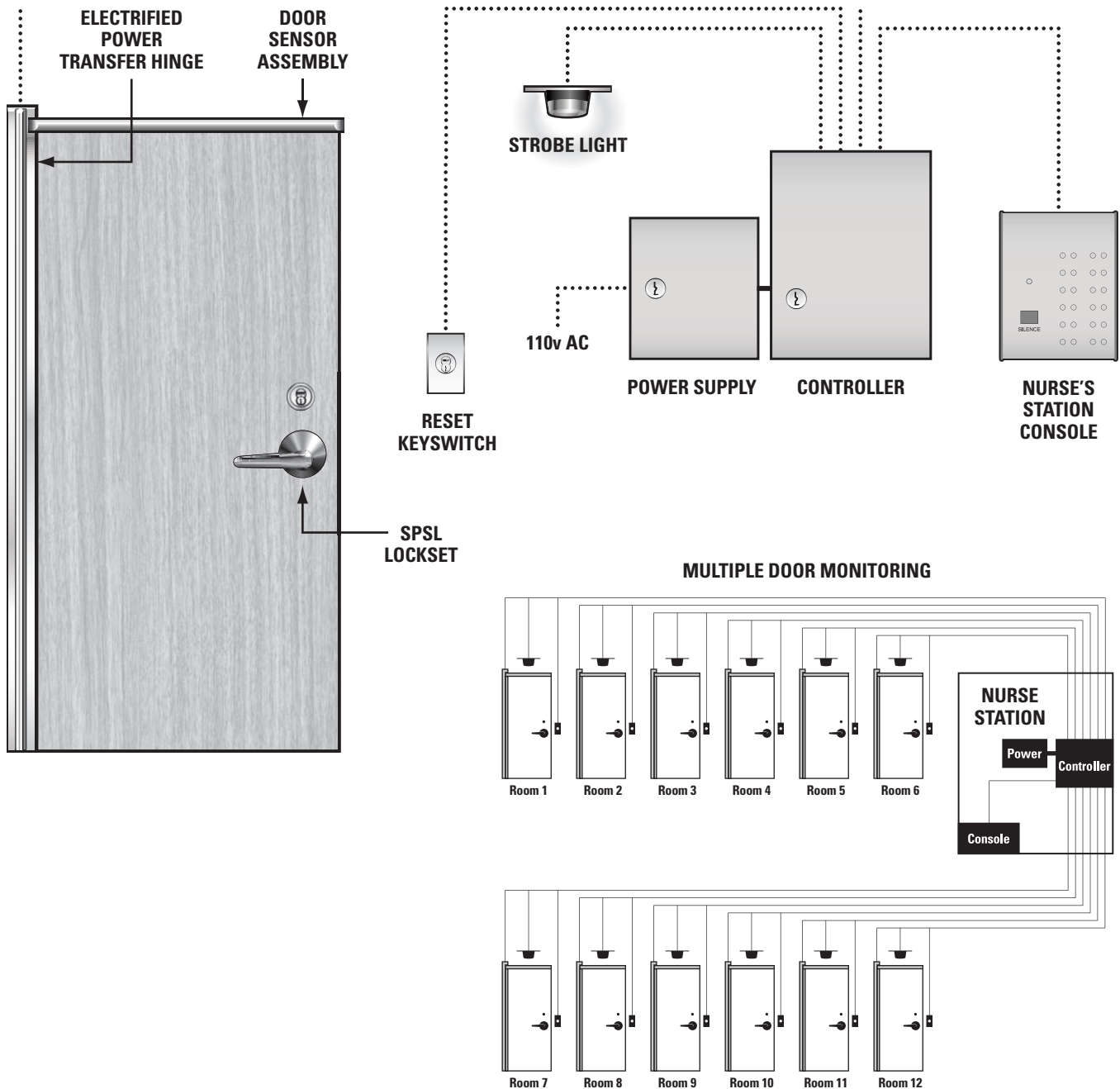
Concealed models are available, consult factory.

SEDA – STANLEY EMERGENCY DOOR ALARM

Stanley Emergency Door Alarm's (SEDA) patent-pending full-width door sensor bars are activated by attempts to drape an item over the door. The sensor bar incorporates a curved design providing maximum sensitivity to pressure. The pressure activates internal switches, which are protected by the steel construction. The sensor bars are field adjustable to provide full door coverage and are easily installed.

Retrofit applications are ideal for SEDA. Electrified full-surface continuous hinges have been designed in an anti-ligature fashion and transfer the SEDA signal from the door to the frame. In doing so, coverage over the critical hinge side of the door is maintained. SEDA models may be applied to traditional swinging doors (mounted on pull side of door) or double-acting doors (mounted on patient side of door).

Additional notification and signal monitoring options are available to meet facility requirements. Field adjustments include a nuisance alarm and the piezo volume on the nurse's station console.



SEDA – STANLEY ELEMENTS

Door Sensor Assembly

The Door Sensor Assembly is available with telescoping adjustment to accommodate various door sizes. To avoid inadvertent activation, the DSA is equipped with a field adjustable nuisance delay. (factory default 3 seconds) Adjustment setting can be performed at the Controller.

Neutral beige finish. For additional finishes please consult factory.

Door Sensor Assemblies:

SEDA-DSA-P1

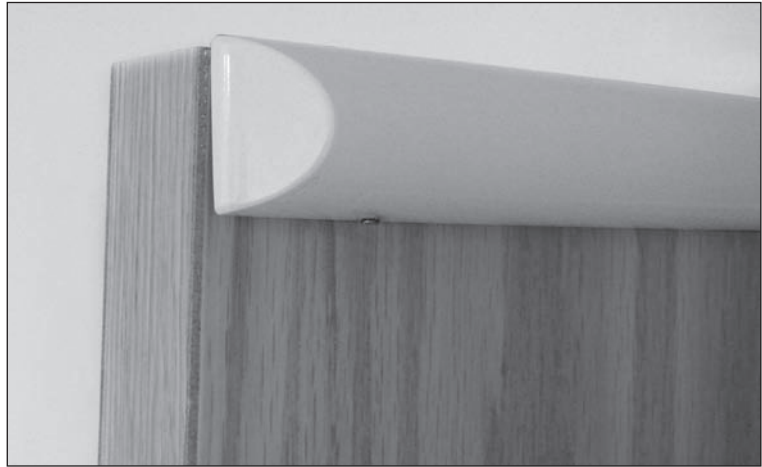
- For doors 36" - 42" wide
- Specify PULL SIDE of door width when ordering

SEDA-DSA-P2

- For doors 42" - 48" wide
- Specify PULL SIDE of door width when ordering

SEDA-DSA-P3

- Pair for closet doors up to 36" wide
- Specify PULL SIDE of door width when ordering



Controller & Power Supply

Available for applications with up to 12, 24 or 36 doors, the Controller & Power Supply are the central point for electrical power and switch termination for the following SEDA elements.

Controller & Power Supply Elements:

- Door Sensor (DSA) inputs
- Strobe output
- Reset Keyswitch inputs
- Console output
- Remote signal output (dry contact)
- Remote signal output (12v)
- Adjustable nuisance delay (factory preset 3 seconds)
- Power Requirements - 110v input
- Neutral beige finish
- Factory installed cylinder



Power Supply



Controller

Controller & Power Supply Dimensions:

MODEL NUMBER	POWER SUPPLY BOX	CONTROLLER BOX
SEDA-CPS-1A52-12	8.25H x 7.5W x 3.5D	12.5H x 9.25W x 4.125D
SEDA-CPS-1A52-24	8.25H x 7.5W x 3.5D	15.5H x 11.25W x 4.5D
SEDA-CPS-1A52-36	12.5H x 9.25W x 4.125D	20.25H x 15.5W x 4.25D

Strobe Light SEDA-SL1

- Strobe light for ceiling mounting (use with ceiling tiles)

SEDA-SL2

- Same as above with steel mounting plate



SEDA-SL1



SEDA-SL2

Console

The desk mounted Console provides remote real-time visual and audible status to the Door Sensor assemblies. Pending the respective opening quantities, the console is available for order to monitor up to 12, 24, or 36 Door Sensor Assemblies.

Console elements:

- LED (1 red/green per room)
- Adjustable piezo alarm
- Remote siren output
- Console output
- Strobe output
- Reset keyswitch inputs
- Power requirements – 110v AC input
- Finishes: Desk Console - Blue case with a beige top. Wall mounted Console - Aluminum cover plate



Desk Console



Wall Mounted Console

Console Dimensions:

DESK CONSOLE

MODEL NUMBER	DIMENSIONS
SEDA-DCRS-12	6.5W x 8.3D x 3 Rear Height x 1.3 Front Height
SEDA-DCRS-24	10W x 8.3D x 3 Rear Height x 1.3 Front Height
SEDA-DCRS-36	14W x 8.3D x 3 Rear Height x 1.3 Front Height

WALL MOUNTED CONSOLE

MODEL NUMBER	DIMENSIONS*
SEDA-WCRS-12	8.25H x 6.25W x 2D
SEDA-WCRS-24	7.25H x 11.25W x 2D
SEDA-WCRS-36	7.25H x 15.25W x 3D

* These dimensions are the install dimensions. The cover plate will cover 1" on the wall around the box.

**Reset Keyswitch
KS101**

- Wall mounted keyswitch (single gang box not included)
- 1 1/4" mortise cylinder/straight cam required (cylinder not included)



Reset Keyswitch

**Electrified Power Transfer Hinge
ECHFS-MH-AL-4**

- Full-surface angled aluminum construction and finish hinge (security screws provided with hinge)
- Modified for use with existing or new full-surface hinge



Electrified Power Transfer Hinge

**Accessories
SEDA-SPLB-1**

- Splice box for use within room containing up to 5 doors.

Stanley Security Solutions offers the world's most comprehensive line of services, industry-leading products and cutting-edge technologies. With a powerful portfolio of top security brands and services specialized to meet customer needs, we deliver complete, customized solutions to any size facility. Our integrated team of 13,000 global employees, over 225 sales and service offices and more than 1,000 mobile technicians, provide an unparalleled level of system support and customer service. Our experts stand ready to respond to your needs 24 hours a day, 7 days a week.



6161 East 75th Street | Indianapolis, IN 46250

© 2011 Stanley Security Solutions, Inc. • www.stanleysecuritysolutions.com

STANLEY[®]
Security Solutions

CABINET LOCKS



L SERIES

CABINET LOCKS



TABLE OF CONTENTS			
L Series		Page	
3L Features/specifications	2	
3L How to Order	2	
5L Latchbolt specifications/mounting positions	...	3	
5L Deadbolt mounting positions/strikes	4	
5L How to Order	4	
8L Features/specifications	5	
E Series			
1E Features/spec's/How to Order	5	
5E Features/spec's/How to Order	6	
			Page
			P Series
			2P Features/specifications
		
			7
			S Series
			2S Functions/spec's/How to Order
		
			8
			3S Features/spec's/How to Order
		
			9
			Service Equipment
		
			10
			MX8 Patented Keying
		
			11

3L SERIES DEADBOLT

Operation—Deadbolt locked and unlocked by key. Must be locked by key after door is closed. Key may be withdrawn in locked position and unlocked position.

Specifications

- Material**— Bolt is stainless steel, springs are phosphor bronze, all other parts are brass.
- Backset**— 7/8"
- Bolt**— 1 1/8" x 3/16" — 3/4" throw
- Case**— Height 1 21/32", width 2 1/8", thickness 21/32", hole spacing 1 39/64" x 1 1/4"
- Cylinder diameter**— 1 1/8"
- Cylinder length**— 7-pin tumbler, 1 13/64"
- Finish**— Base finish 606 unless otherwise specified.
- Keeper plate**— None supplied.



3L7RD2
(Vertical Only)

Products protected by one or more of the following patents:

U.S.:			Canada:
4531390	4531389	4633690	1229234
4663839	4075878	4616394	
4055973	4768360	D290085	
4722204	4843852	5590555	
5794472			

HOW TO ORDER – 3L

3L	7	R	D	2	606	Std.
Series	Core	Mounting Housing	Latch Type	Hand Type	Standard Finish	Cylinder Length
3L— coin box lock	7— 7 pin housing accepts all Best cores	R— rim	D— deadbolt	2— vertical	606 612 626 (cylinder only)	Standard 1 1/2" 2"

Specifications

Latchbolt function– Retracted by key to unlock. Key may be with drawn *only* in locked position

Deadbolt function– Locked and unlocked by key. Must be locked by key after door is closed. Key may be withdrawn in locked position and unlocked position

Backset– $\frac{7}{8}$ "

Body thickness– $\frac{1}{2}$ "

Case– Length $2\frac{1}{8}$ ", width $2\frac{19}{32}$ ", thickness $2\frac{1}{32}$ ", hole spacing $2\frac{3}{16}$ "

Cylinder diameter– $1\frac{1}{8}$ "

Cylinder length– $1\frac{1}{16}$ "

Deadbolt– $\frac{3}{4}$ " x $2\frac{5}{64}$ " – $\frac{1}{2}$ " throw

Door thickness– $\frac{5}{8}$ " minimum for rim type, $2\frac{1}{32}$ " minimum for mortise type.

Face– $1\frac{7}{8}$ " x $2\frac{1}{32}$ "

Latchbolt– $\frac{3}{4}$ " x $2\frac{5}{64}$ " – $\frac{9}{32}$ " throw

Material– Nickel plated zinc case and bolts, stainless steel cover, phosphor bronze spring.

Strike plate– $\frac{3}{64}$ " x $1\frac{1}{16}$ " x $1\frac{7}{8}$ ", hole spacing $1\frac{7}{16}$ ", $1\frac{1}{4}$ " wide lip.

T-Option– Key is removeable only in locked position. (Deadbolt Only)

**5L SERIES LATCHBOLT
Mounting Positions**



Rim
(Vertical Mounting)



Mortise
(Vertical Mounting)



Left-hand
(Vertical Mounting)



Inverted



Right-hand
(Vertical Mounting)

5L continued next page

5L SERIES – DEADBOLT
Mounting Positions



Rim
 (Vertical Mounting)



Mortise
 (Vertical Mounting)



Left-hand
 (Vertical Mounting)



Inverted



Right-hand
 (Vertical Mounting)

5L STRIKES

Strike plate specification: $\frac{3}{64}$ " x $1\frac{1}{16}$ " x $1\frac{7}{8}$ "; hole spacing $1\frac{7}{16}$ "



A-450
 A00450



A-451
 A00451



A-452
 A00452



A-453
 A00453

HOW TO ORDER – 5L

5L	7	R	D	2	606	
Series	Core Housing	Mounting Type	Latch Type	Hand	Standard Finish	Options
5L	7- 7 pin housing accepts all Best cores	M- mortise R- rim	D- deadbolt L- latchbolt	2- vertical 5- inverted	606 612 626 (cylinder only)	T- deadlock (deadbolt only) TR- special trim ring

8L SERIES – MAIL BOX LOCKS

The 8L7SPR mail box lock features the convenience of the interchangeable core, allowing quick combination change, and is adaptable to a number of different mail box manufacturers. The 8L7SPR can be masterkeyed into any existing BEST® system. Variations are available for adaptation purposes.

To order: Specify mail box manufacturer and style number, and/or send sample of mail box door.



8L7SPR (Inside)

Specifications

Housing– Steel, zinc plated.

Cylinder– Machined from solid aluminum.

Cylinder head diameter– 1 1/8".

Latchbolt– 9/32" square with bevel.

Handing– Right-hand standard – 8LSPR.

Finish– 627 standard.

1E SERIES – SLABBED CABINET MORTISE CYLINDERS

The special cylinders are threaded to the head, mounted with a hex nut, and slabbed on both sides to prevent turning in the mounting hole.

Specifications

Length– 1E7D4: 1 15/32" from head to cam.

1E7E4: 1 1/4" from head to cam.

Cylinder diameter– 1 5/32", 7/8" across flats.

Thread– 1.150 - 32 (NS - 2A).

Finish– 626 standard.







1E7D4

Direct motion cam prevents key from being withdrawn in unlocked position. Reversible cam may be assembled for required hand at installation.



1E7E4

270° lost motion cam permits key to be withdrawn when locked or unlocked.

RP Standard Ring Package	RP1 Ring Package	RP2 Ring Package	RP3 Ring Package
The RP standard ring package includes a 1E-R3 (3/16") and 1E-R5 (3/8") ring.	The RP1 ring package for the 1E-76 cylinder includes a 1E-R2 (1/8") and 1E-R3 (3/16") ring.	The RP2 ring package for the 1E-64 cylinder includes a 1E-R2 (1/8") and 1E-R4 (1/4") ring.	The RP3 ring package for the 1E-62, 1E-72 and 1E-74 cylinders includes a 1E-R2 (1/8") and a 1E-R5 (3/8")
			
1E-R3 – 3/16" 1E-R5 – 3/8"	1E-R2 – 1/8" 1E-R3 – 3/16"	1E-R2 – 1/8" 1E-R4 – 1/4"	1E-R2 – 1/8" 1E-R5 – 3/8"

Note: RP5 includes – 1ER2, 1ER4 & 1ER5

HOW TO ORDER – 1E

1E	7	E4	RP3	626
Cylinder Diameter	Core Housing	Function Code	Rings	Finishes
1E- 1 5/32"	7- 7 pin housing accepts all Best cores	D4- direct motion E4- lost motion	RP- 3/16" and 3/8" RP1- 1/8" and 3/16" RP2- 1/8" and 1/4" RP3- 1/8", 1/4" and 3/8"	605 606 612 613 625 626

5E SERIES 3/4" UTILITY CYLINDER

5E Specifications:

5E6 – Series

“A” (Body length)– $3\frac{1}{32}$ " , Body diameter– $\frac{3}{4}$ " , Body– 6 pin, Head diameter– $\frac{7}{8}$ " , Finish – 626,
 “B” (Max. mounting thickness)– $\frac{11}{16}$ "

5E7 - Series

“A” (Body length)– $1\frac{1}{8}$ " , Body diameter– $\frac{3}{4}$ " , Body– 7 pin, Head diameter– $\frac{7}{8}$ " , Finish– 626,
 “B” (Max. mounting thickness)– $\frac{27}{32}$ "



5E– Straight Cam

Standard 5E Assembly unit includes:

Keyed $\frac{3}{4}$ " with cam (specify cam length - if length is not specified, the 5EC1 x $\frac{7}{8}$ " will be supplied as standard), hex nut, spacer collar (not supplied unless length is specified), and lock washer.

Application:

Fits standard $\frac{3}{4}$ " cylinder installations for e.g. desks, file cabinets, coin-operated vending machines, utility cabinets, storage cabinets, elevators, and security alarm control panels.

Material finish:

Solid extruded brass cylinder body, 626 finish standard.

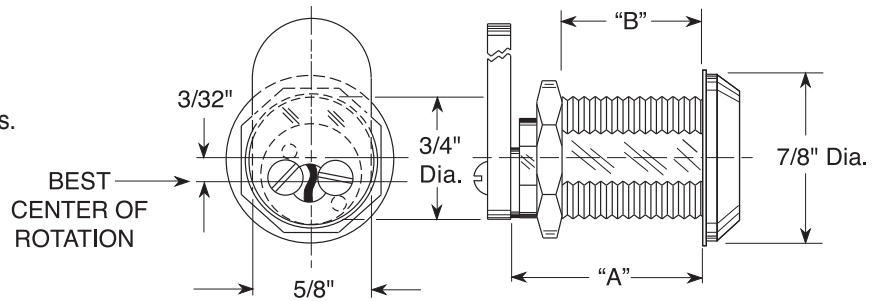
Cam motion operation:

- TYPE “A” - Standard 5E cylinder key rotates 360° right or left.
 - TYPE “B” - Limited motion cam operation 90° or 180° as required.
 - TYPE “C” - Lost motion cam operation 90°: Key removal with cam in locked or unlocked position.
 - TYPE “D” - Throw member-type drive. Two throw pins engage key plug from rear of cylinder. (Direct 360° action-R or L.)
- Throw member types available upon request.

Cam & Spacer Collar:

Cam variations are detailed in the cylinder catalog section and may be modified for use on the 5E cylinder. Standard cams are factory attached to key plug with screws. Spacer collars may be required to position the cam for proper lock operation. The spacer collar is installed between the 5E cylinder head and the mounting surface. Both straight collars and special tapered collars available by request.

To order: For more information see E series catalog section.



HOW TO ORDER – 5E

5E	7	A	1	C	R708	4B	21	12	R	90	626
Series	Lock Body	Keyway	Combining Code	Cam Motion	Ring Length	Cam	Cam Length	Mounting Position	Cam Direction	Degree of Rotation	Finish
5E– $\frac{3}{4}$ "	6– 6 pin 7– 7 pin cores	designate specific keyway (A, E, etc.)	1– uncombined 2– combined	A– direct B– limited C– lost D– throw member	R701– $\frac{1}{16}$ " R702– $\frac{1}{8}$ " R703– $\frac{3}{16}$ " R704– $\frac{1}{4}$ " R705– $\frac{5}{16}$ " R706– $\frac{3}{8}$ " R707– $\frac{7}{16}$ " R708– $\frac{1}{2}$ "	1–fixed straight 2A– fixed offset in 2B–fixed offset out 3–lost motion 4A–lost motion offset in 4B–lost motion offset out D–direct throw	10– $\frac{5}{8}$ " 12– $\frac{3}{4}$ " 14– $\frac{7}{8}$ " 16– 1" and so forth in $\frac{1}{16}$ of inch	3– 3 o'clock 6– 6 o'clock 9– 9 o'clock 12– 12 o'clock	R– right L– left	90– 90° 180– 180° 360– 360°	626– standard



2P SERIES PUSH LOCKS FOR FILE CABINETS

Specifications

Material– All parts are solid brass; phosphorbronze springs.

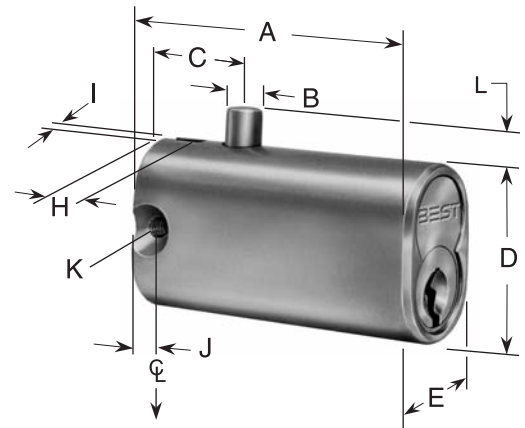
Dimensions– See illustrations and table below.

Finish– 2P Series 626 (satin chrome) standard finish.

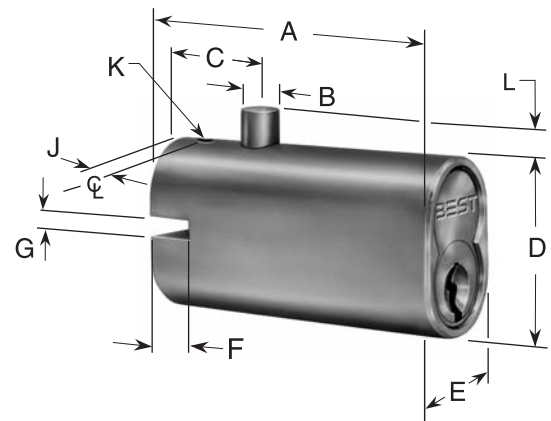
5P series finish to match satin chrome. (7 pin only).

Two types of file cabinet push locks are available from Stanley Security Solutions. The 2P series incorporates the BEST® interchangeable core and requires special cabinet preparation. The 5P series replaces standard industry size file cabinet locks without modification of lock opening, but does not have the interchangeable core features. Both may be keyed individually, keyed alike, masterkeyed or grand-masterkeyed with other BEST® lock of any type.

To order: Specify proper lock, finish and keying instructions.



2P73 Vertical mounting slot



2P74 Horizontal mounting slot

2P Series Specifications

Dimensions in inches												
Vertical Mounting Slot												
	A	B	C	D	E	F	G	H	I	J	K	L
2P73 (7Barrel)	2 9/32"	1/4"	19/32"	1 1/8"	3/4"			5/16"	1/8"	5/32"	#6-32	5/32"
Horizontal Mounting Slot												
2P74 (7Barrel)	2 9/32"	1/4"	19/32"	1 1/8"	3/4"	5/16"	1/8"			5/32"	#6-32	5/32"

2S SERIES PUSH LOCKS FOR SLIDING DOORS

Specifications

Case– extruded brass.

Width– 1 1/2"

Thickness– 23/32"

Inside face plate– 2 3/4" x 7/8", hole spacing 2 3/16".

Detachable face plate– 1 1/16" x 1 1/8" x 2 3/4", hole spacing 2 3/16".

Strike– 2 3/4" x 1 1/8", 2 3/16" hole spacing.

Finish– 626 supplied unless otherwise specified.



2S73 Surface Mounted
(BHMA E07161)

FUNCTION CODE CHART

Function Code	Door	Bolt Thickness	Operation
73	19/32" dia. to 1 5/8"	19/32" dia. 1/2" throw	When unlocked, case of lock moves out through door stile and may be used as handle for moving door. To lock 2S73 and 2S74, push case in through door. Spring locking action. To lock 2S75, operate key and push case "IN" through door to engage bolt retaining pin behind strike plate in opposite door.
73 x TBM	7/8" to 1 5/8"	19/32" dia. 1/2" throw	
74 x TBM	7/8" to 1 5/8"	19/32" dia. 3/4" throw	
75 x TBM	3/4" to 1 5/8"	1/2" dia. x 7/16" bolt engagement. 1/8" locking pin	



2S74 x TBM Through-Bolt Mounted
(BHMA E07161)

HOW TO ORDER 2S

2S	7	5	626	**
Series	Core Housing	Function Code	Standard Finish	
2S– push lock for sliding door accepts all BEST cores	7– 7 pin housing	see above	626	

Must specify key mark and number of keys or designate L/C for less core.



2S75 Surface Mounted with retaining pin
(BHMA E07181)

3S SERIES SLIDING PANEL LOCKS

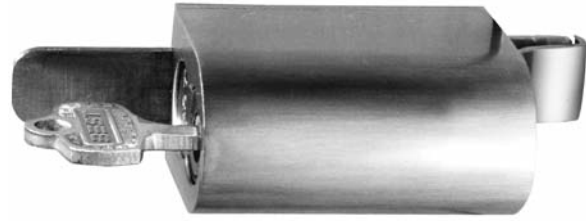
Specifications

Strike strap– stainless steel, 1/2" wide.

Locking housing– aluminum.

Finish– 627 aluminum only.

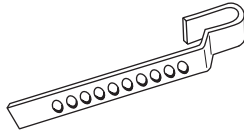
Operation– A stainless steel strap mounts permanently on the inner sliding panel. When panels are closed, the tongue of the strike strap extends beyond the edge of the outer panel. To lock panels, slide lock housing onto overlapping tongue and up against edge of outer panel. Lock by turn of key. Key is removable in locked position only.



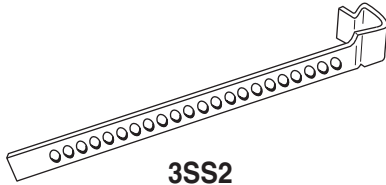
3S75



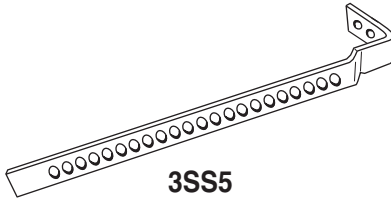
3S77



3SS1



3SS2



3SS5

SPECIFICATIONS

Strike strap	Length	Thickness
3SS1	4 1/4"	1/4"
3SS2	6 1/4"	7/32"
3SS3	6 1/4"	5/16"
3SS4	6 1/4"	13/32"
3SS5	6 1/4"	3/4"

HOW TO ORDER – 3S

3S Series	7 Core Housing	5 Function Code	S2 Strike Strap	627 Finish
3S– sliding panel lock	7– 7 pin housing accepts all BEST cores	5– straight lock housing 7– captured panel lock 8– housing with 1" extension	S1– 4 1/4" x 1/4" S2– standard unless otherwise specified S3– 6 1/4" x 5/16" S4– 6 1/4" x 13/32" S5– 6 1/4" x 3/4"	627– standard

SERVICE EQUIPMENT

5E254

Metal Punch and Die

This tool provides a quick method for cutting accurate 3/4" slabbed holes in metal cabinets in order to mount the 5E cylinder. Slabbed side prevents cylinder from turning or being forced with head wrench.

To order specify: 5ED254 punch and die.

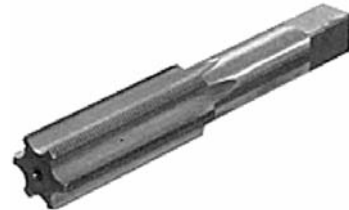


5ED254– Metal Punch and Die

5ED253 Thread Tap

Matches standard 24 thread on 5E series cylinder locks.

To order specify: 5ED253 thread tap



5ED253– Thread Tap

5ED261 Capping Block

The capping process for single shearline 5E cylinders requires the following:

**5E slide caps: 5ECP6– 6 pin
5ECP7– 7 pin**

**5E Cylinder: 5ED261 Capping Block
5ED262 Cap Depressor**



**5ED261– 5E
Capping Block**

Service Equipment for 5E Cylinders (single shearline)

Best single shearline locks may be combined to Grand Master, Master and/or any operating combinations in your BEST system. Utilizes the AD433 Key Combinator. See (D Series) Service Equipment Catalog for details.

5ED250 Combinating Kit (single shearline)

Similar to standard CD431 kit for figure 8 cores, the single shearline kit provides a special 5ED261 capping block, springs (5ES1) and caps (5ECP)

To order specify:

- 5ED250 - 2 (for A2 system)**
- 5ED250 - 3 (for A3 system)**
- 5ED250 - 4 (for A4 system)**

Pin Segments (included in kit)

Close tolerance segments assist in accurate combining.

To order: Contact your local Best Representative.

Core Springs (included in kit)

This properly sized spring facilitates consistent action in all BEST figure 8 cores.

To order specify: 22S springs.

Core Caps (included in kit)

Barrels are securely sealed by applied core caps.

To order specify: 21C caps.



**5ED250– Combinating Kit
(single shearline)**

CORMAX™ PATENTED KEYING SYSTEM

One of the greatest threats to key control within your facility is the unauthorized duplication of keys; one simple solution is the use of the CORMAX™ Patented Keying System.

Very seldom can a single product meet all of your exact needs, and often your level of convenience must be sacrificed to fit the capabilities of the product. The CORMAX Patented Keying System provides you with an significant amount of flexibility, enabling a solution that fits your unique balance between security and convenience.

The CORMAX Patented Keying System is available in two series of keyways, the M Series and the X Series. Each series offers a different blend of features. For example the CORMAX Patented Keying System can provide geographic exclusivity to the customer to help you maximize convenience while optimizing your security.



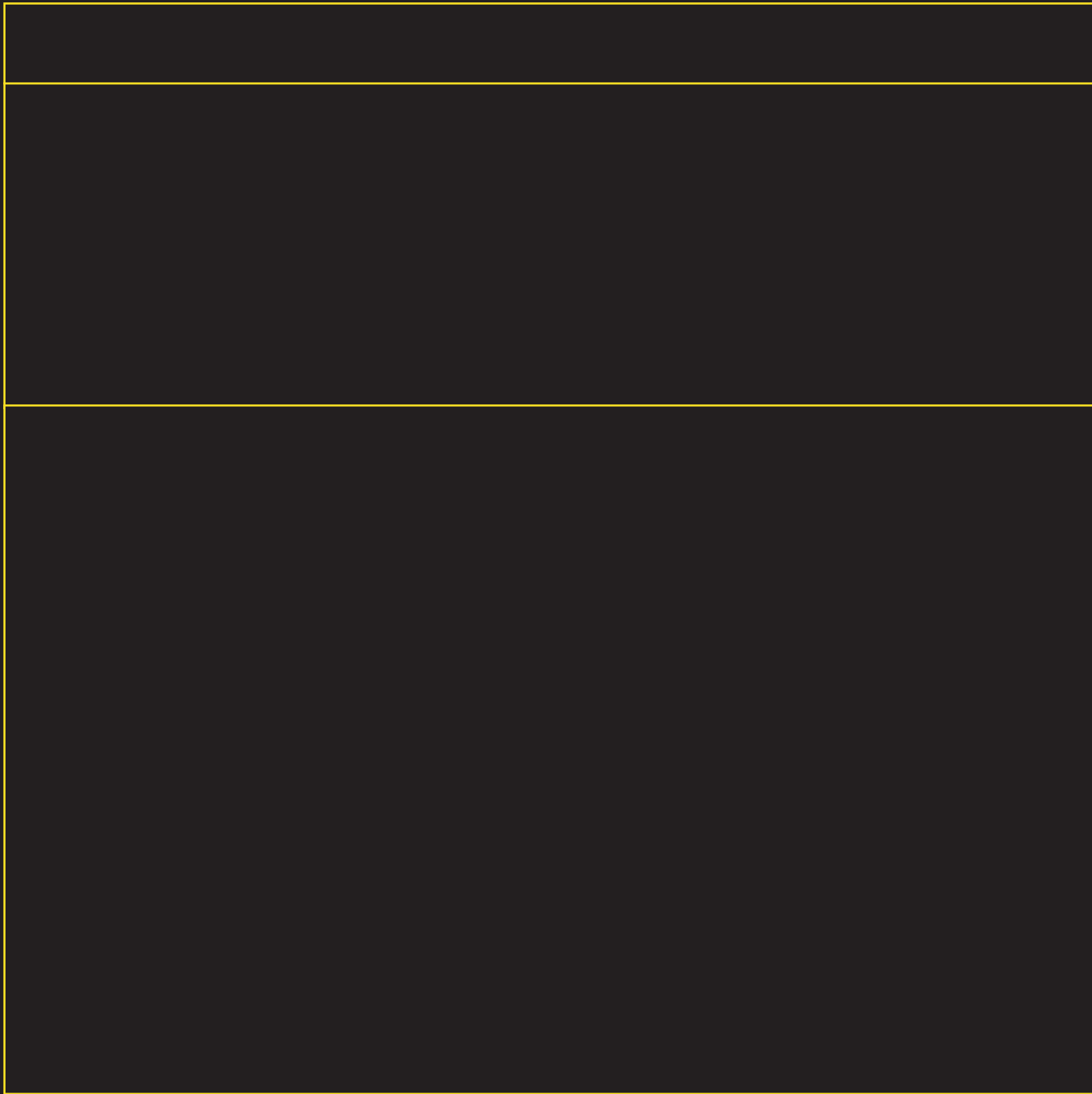
**CORMAX™
Patented Keying System**

M Series Keyway Features

- Patented keys operate both CORMAX and Standard BEST cores (backward compatibility) with existing BEST keyway (J,K,L,M only). Standard keys do not operate CORMAX cores.
- Available in large bow, long blade, and long nose key blanks to work with special applications.
- Available in core designs for use in special application locks, such as high security mortise, hotel cylinders, and glass display-case locks.
- Utilizes the same combining kits and key cutting equipment as the Standard BEST keyways.
- M Series keys operate CORMAX cores and Standard (non-patented) BEST cores. Standard key blanks do not operate CORMAX cores.

X Series Keyway Features

- Distinctive key design includes thicker key blanks with larger bow for added strength and easier handling.
- Keyways are unique to CORMAX Patented Keying System offering even higher key duplication protection.
- CORMAX keyways utilize the standard combining kit, minimizing the expense of system changeover.
- X Series keys operate CORMAX cores only.



For more information on Stanley Security Solutions' products, services, and office locations visit our web site at www.stanleysecuritysolutions.com

Product information contained in this catalog has been compiled and presented with as much care and completeness as is reasonably possible. Errors or mistakes may be present, and in many cases, reliance has been placed on information supplied by other manufacturers which may be in error or which may be subject to changes or modifications by the manufacturer without notice and without obligation. Therefore, no guarantee can be made or should be assumed or implied with regards to product information contained in this catalog.



Stanley Security Solutions, Inc.
6161 E. 75th Street Indianapolis, Indiana 46250
www.stanleysecuritysolutions.com • © 2010 Stanley Security Solutions, Inc.

10M R410
BAS029

STANLEY[®]
Security Solutions

CYLINDERS



≡ SERIES

MORTISE AND RIM CYLINDERS



TABLE OF CONTENTS		Page			Page
1E Series features.....		2	Eurocylinders		7
1E Series specs/how to order		2	Cylinders and cams		8
1E Series rings/spindles/mortise/service equipment.....		3	1E Cylinder special rings		9
1E Series special cylinders		4, 5	5E Series specs/accessories		10
1E7J4/1E7K4 high security cylinders		6	5E Series how to order		11
Patented keying system		6			

1E SERIES — FEATURES

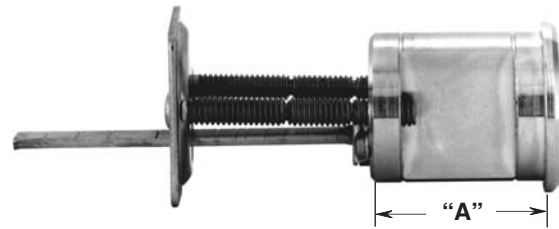
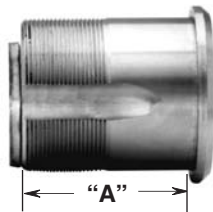
1E Mortise Cylinder

Standard mortise applications require use of BEST's 1E series cylinders with standard 1E-C4 cam. BEST cylinders may be altered to function with other manufacturers' locks by use of different cams (see page 8) and different cylinder rings (see page 9). Special cylinder variations are available for most applications (see pages 4 & 5). BEST cylinders are machined from brass or bronze bar stock and are available in a variety of finishes. Additional security is provided by a set screw that mounts diagonally in the cylinder wall and when tightened, holds the cylinder securely in the housing. BEST mortise cylinders feature the BEST interchangeable core and may be master-keyed into any existing BEST system. Contact your local Stanley Security Solutions sales office for information on special cylinder applications not listed in this catalog.



1E Rim Cylinder

Standard rim cylinder applications require the use of BEST's 1E rim cylinder series. BEST rim cylinders are interchangeable with other manufacturers' rim cylinders. BEST rim cylinders are machined from solid bar stock and are available in a variety of finishes. The standard package for the BEST rim cylinder includes cylinder, RP3 ring package, 1E-S2 spindle, clamp plate and clamp plate screws. BEST rim cylinders feature the BEST interchangeable core and may be master-keyed into any existing Best system.



Specifications

Cylinder Nomenclature	Dimension "A"	Door Thickness
1E-64	1 1/8"	1 5/8" to 2 1/4"
1E-74	1 1/4"	1 7/8" to 2 1/2"

Specifications

Cylinder Nomenclature	Dimension "A"	Door Thickness
1E-62	1 3/16"	1" to 2 3/4"
1E-72	1 11/32"	1 1/4" to 3"

Cylinder diameter— 1 5/32"

To order: example: **1E74-C4-RP3-626**

Cylinder diameter— 1 5/32"

To order: example: **1E72-S2-RP3-626**

Products covered by on or more of the following patents:
5,590,555 5,794,472

HOW TO ORDER

STEP A	B	C	D	E	F	G	
1E	7	4		C4	RP3	626	**
Cylinder Diameter	Core Housing	Function Code Length	Standard Mortise Code	Cam or Spindle	Rings	Standard Finishes	
1E— 1 5/32" 3E— 1 1/2" 5E— see pages 10,11 8E— see page 7	0— dummy 6— 6 pin housing 7— 7 pin housing accepts all Best cores	2— rim 4— mortise* 6— tapered mortise see pages 4-5 for special cylinders	Blank— standard 22— 1 3/8" 24— 1 1/2" up to 96— 6" (see page 4-5)	C4— standard cam C181— Adams Rite MS cam S2— standard spindle (For special cams see page 8)	RP1— tapered cyl. RP2— 6 pin mortise RP3— std. package RP4— 3E mortise (For special rings see page 9)	605 606 612 613 622 625 626 690 Specify hand if required	

* For additional special mortise cylinders, see pages 4 and 5.
** Must specify keymark and number of keys or designate L/C for less core.



STANDARD RINGS

RP Standard Ring Package

The RP standard ring package includes a 1E-R3 ($\frac{3}{16}$ ") and 1E-R5 ($\frac{3}{8}$ ") ring.



RP1 Ring Package

The RP1 ring package for the 1E-76 cylinder includes a 1E-R2 ($\frac{1}{8}$ ") and 1E-R3 ($\frac{3}{16}$ ") ring.



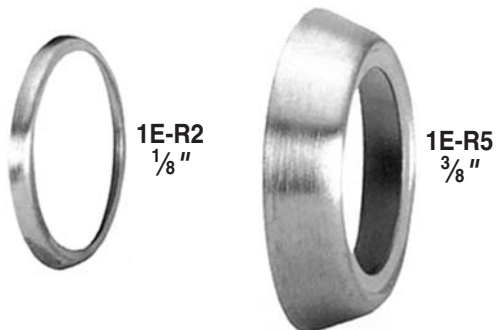
RP2 Ring Package

The RP2 ring package for the 1E-64 cylinder includes a 1E-R2 ($\frac{1}{8}$ ") and 1E-R4 ($\frac{1}{4}$ ") ring.



RP3 Ring Package

The RP3 ring package for the 1E-62, 1E-72 and 1E-74 cylinders includes a 1E-R2 ($\frac{1}{8}$ ") and a 1E-R5 ($\frac{3}{8}$ ")



STANDARD CAM

Standard Cam for 1E-64, and 1E-74 Mortise Cylinders

Unless otherwise specified, the 1E-C4 cam is supplied on all 1E mortise cylinders.

Standard 1E-C4 Cam

Commonly used cams are listed on page 8.

If a cam other than the variety listed is needed, a sample cam should be forwarded to your local BEST office along with the lock manufacturer's name and lock series or identification number.

SPINDLES



1E-S2 Spindle (Steel) - A-40100-SH

1E-S3 Spindle (Bronze) - A-40100-Z

5" Spindle - A-54950; $\frac{5}{32}$ " Spindle - A-40101

The 1E-S2 flat spindle is supplied standard on all 1E rim cylinders. If marine application is necessary, request "marine construction" (1E-S3 bronze spindle and non-ferrous materials supplied). A five (5) inch spindle is available for thick door applications.

MORTISE SERVICE EQUIPMENT



ED211



ED212

ED211 Mortise Cylinder Wrench

The BEST mortise cylinder wrench and test handle is an essential dual-purpose tool. The double end is used primarily to install or remove BEST mortise cylinders without marring the cylinder surface finish. The single end may be used to test the lock operation, as well as align the throw pins.

To order specify: ED211 mortise cylinder wrench.

ED212 Mortise Cylinder Cam Assembly Tool

Mortise cylinder cams are quickly changed with the use of this tool. Approximate length $1\frac{3}{4}$ ".

To order specify: ED212 assembly tool.

ED221 Mortise Cylinder Thread Repair Die

Tool for re-threading $1\frac{5}{32}$ " diameter cylinders.

To order specify: ED221 thread repair die.

ED222 Cylinder Cam Testing Tool

Special cylinder / wrench assembly. Screws provide rapid means to install cams for testing.

To order specify: ED222 cam testing tool.

ED225 Hole Tap For $1\frac{5}{32}$ " Mortise Cylinder

Tap tool used to re-thread housing threads for 1E mortise cylinders.

A40095 Standard Throw Pins

SPECIAL CYLINDERS

Special Length Mortise Cylinders Specifications

- Diameter:** 1 5/32"
- Uses:** Special thickness doors
- Length:** See chart
- Material:** Solid brass or bronze
- Cam:** Standard 1E-C4 cam (see page 2) supplied unless otherwise specified.
- Rings:** The RP2 (for 6 pin) and RP3 (for 7 pin) package are supplied standard (page 2) unless otherwise specified.



← "A" →
1E74

To order: Designate desired length from chart under length code step "D" as shown (page 2).
Example: 1E-74-32

1 1/2" Diameter Mortise Cylinder Specifications

- Diameter:** 1 1/2"
- Length:** 6 pin-1 1/8"; 7 pin-1 1/4"
- Door thickness:**
6 pin-1 5/8" to 2 1/4" (includes trim)
7 pin-1 7/8" to 2 1/2"



← "A" →
3E74

- Material:** Solid brass or bronze
- Cam:** Standard 3E-C3 cam supplied unless otherwise specified.
- Rings:** The RP4 ring package is supplied with 3E cylinders. This package includes a 3E-R2 (1/8") and a 3E-R4 (1/4") ring.
- To order:** Designate "3E" on step "A" of order procedure (page 2) **Example:** 3E-74-C3-RP4-626
- Options:** 3E-04-Dummy, 3E-7A4-Turn knob, 3E-7B4-Dust Cover. Adaptor ring to allow 1E74 cylinders to fit a 3E tapped hole - A26139.

Dummy Mortise and Rim Cylinders Specifications

- Diameter:** 1 5/32"
- Length:** Mortise -1 1/8" ; Rim -1 1/8"
- Material:** Solid brass or bronze
- Rings:** Ring packages are supplied standard as follows: Mortise: RP2 ring package(see page 2) Rim: RP3 ring package (see page 3)
- To order:** Designate "0" on step "B" of order procedure (page 2) **Example:** 1E-02, 1E04-slot in back-1ESPL-6-B4619 1E04-slot in back-1ESPL-7-B4620, 1E02-slot in face-1ESPL-6-A5035, Special 1E04 with slot on back- 1ESPL-7-B4620. Special length 1E04 cylinders: 1 1/2" - 1ESPL-7-A9619 1 3/4" - 1ESPL-7-A20331



1E04



1E02

* Reference to Length "A" on Mortise Cylinder Length Chart.

Mortise Cylinder Length Chart

Length "A"	Designate this number on step "D" of order procedure (page 2)	
1 3/8"	22	Riveted cams
1 1/2"	24	
1 5/8"	26	
1 3/4"	28	
1 7/8"	30	
2"	32	
2 1/8"	34	Screw-on cams
2 1/4"	36	
2 1/2"	40	
2 3/4"	44	
3"	48	
3 1/2"	56	
4"	64	
4 1/2"	72	
5"	80	
5 1/4"	88	
6"	96	

Taper Head Mortise Cylinder Specifications

- Diameter:** 1 5/32"
- Length:** 6 pin - 23/32"; 7 pin - 3/4"
- Door thickness:** 6 pin- 1 3/8" to 1 3/4" (including trim)
7 pin- 1 3/8" (including trim)
7 pin- 1 3/4" (without trim)



← "A" →
1E76

- Material:** Solid brass or bronze
- Cam:** Standard 1E-C4 cam supplied unless otherwise specified.
- Rings:** The RP1 ring package (page 2) is supplied standard with all 1E taper cylinders (page 2).
- To order:** See page 2. **Example:** 1E-76-C181-626

Turn Knob Cylinders Specifications

- Diameter:** 1 5/32"
- Length:** Mortise- 6 pin-1 1/8"; 1E6A4 Mortise- 7 pin-1 1/4" - 1E7A4
Rim- 6 pin-1 3/16" - 1E6A2
Rim- 7 pin-1 11/16" - 1E7A2
- Material:** Solid brass or bronze
- Cam:** Standard 1E-C140 cam supplied unless otherwise specified (see page 2).
- Rings:** Ring packages are supplied standard as follows (unless otherwise specified): Mortise 6 pin: RP2 ring package (see page 2)
- Mortise 7 pin:** RP3 ring package (see page 2) Rim 6 and 7 pin: RP3 ring package (see page 2)
- To order:** Designate "A4" on step "C" of order procedure (page 2). **Example:** 1E-7A4-C140-RP3-626 R-function turn knob cylinders, RH-1ESPL-7-B35401, LH-1ESPL-7-B35405 Special length cylinders 1.5"-1ESPL-7-A20336 1.75"-1ESPL-7- A20337, 2"- 1ESPL-7-B23409



1E7A4

Note: These should not be used in conjunction with deadbolt function BEST mortise locks. To order the old style "UP" thumb turn contact your local BEST dealer.

Mortise and Rim Cylinders with Dust Covers Specifications

Diameter: 1 5/32"
Length: Mortise- 6 pin- 1 1/8"; **7 pin-** 1 3/32"
Rim- 6 pin- 1 3/16"; **7 pin-** 1 11/32"
Material: Solid brass or bronze
Cam: Standard 1E-C4 cam
 (see page 4) 1E series supplied unless otherwise specified.
Rings: Ring packages are supplied standard as follows (unless otherwise specified): **Mortise 6 pin:** RP2 ring package (see page 2), **Mortise 7 pin:** RP3 ring package (see page 2) **Rim 6 and 7 pin:** RP3 ring package (see page 2)
To order: Designate "B4" on step "C" of order procedure (page 2). **Example:** 1E-7B4-C4-RP3-626



1E7B4

Mortise Cylinder Direct Motion Cam Specifications

Diameter: 1 5/32", slabbed, threaded to the head
Length: 6 pin- 1 5/16"; **7 pin-** 1 15/32" From head to cam
Material: Solid brass or bronze
Cam: C228 - cabinet cylinder cam standard. Cam prevents key from being withdrawn in unlocked position.
Rings: The RP2 ring package is supplied standard for 6-pin and 7-pin unless otherwise specified (page 2)
To order: Designate "D4" on step "C" of order procedure (page 2). **Example:** 1E-7D4-C228-RP3-626
 To order with a utility cam lengths from 5/8" - 3 1/2"
1 3/4" - cylinder length (RH) 1ESPL-7-A10623 x C228 (LH) 1ESPL-7-A10624 x C228
2 3/4" - cylinder length (RH) 1ESPL-7-A8774 x C228



1E7D4

Standard Mortise Cylinder Lost Motion Cam Specifications

Diameter: 1 5/32"
Length: 6 pin- 1 1/8"; **7 pin-** 1 1/4"
Material: Solid brass or bronze
Cam: 1E-C230 - cam supplied standard 1E-C230 is cam 1E-C4 (page 2) set up for lost motion. Specify cylinder handing as for hand and side of door.
Examples: RHO (Right Hand Outside); RHI (Right Hand Inside); LHO (Left Hand Outside); LHI (Left Hand Inside).
Rings: The RP2 ring package is supplied standard for 6-pin and 7-pin unless otherwise specified (page 2)
To order: Designate "F4" on step "C" of order procedure (page 2). **Example:** 1E-7F4-C230-RP3-626-RHO



1E7F4

Square Head Mortise Cylinder-Wrench Resistant For use in Narrow Stile Doors Specifications

Diameter: 1 5/32"
Length: 6 pin- 1 1/4"; **7 pin-** 1 13/32"
Material: Solid brass or bronze
Cam: As specified on order
 (see page 8 for cams available)
Rings: Package includes special 5/8" slip ring
To order: Designate "C4" on step "C" of order procedure (page 2)
Example: 1E-7C4-C181-R1010 (5/8" length)- 626
 Other length rings are available.



1E7C4

Slabbed Cabinet Mortise Cylinder Lost Motion Cam Specifications

Diameter: 1 5/32"
Length: 6 pin- 1 1/8" (effective length)
7 pin- 1 1/4" (effective length)
Material: Solid brass or bronze
Cam: C229- cam supplied unless otherwise specified (1E-C229, when ordered separate from unit). Specify hand: RH or LH
Rings: The RP2 ring package is supplied standard for 6 and 7-pin unless otherwise specified (page 2)
To order: Designate "E4" on step "C" of order procedure (page 2).
Example: 1E-7E4-C228-RP3-626-RH
Special Length:
 2" cylinder length (1 1/4" effective length)
 RH-1ESPL-7A-9580; LH-1ESPL-7-A9577
 2 1/4" cylinder length (2" effective length)
 RH-1ESPL-7-A8813; LH-1ESPL-7-A8812



1E7E4

Hotel/Motel Mortise Cylinder Shifting Cam Specifications

Diameter: 1 5/32"
Length: Mortise 6 pin- 1 5/16"; **7 pin-** 1 15/32"
Material: Solid brass or bronze
Cam: C258 or cam supplied as specified (see page 8)
Rings: The RP2 ring package is supplied standard for 6-pin and 7-pin unless otherwise specified (page 2)
To order: Designate "G4" on step "C" of order procedure (page 2).
Example: 1E-7G4-C258-RP3-626



1E7G4

1E HIGH SECURITY CYLINDERS

1E7J4 – 1E7K4 Cylinder Features

Designed for high security applications, BEST offers the 1E7J4 high security cylinder and special 5C interchangeable core. This special cylinder is listed by Underwriters Laboratories as meeting UL437 standard for key locks. The patented cylinder provides additional strength through a hardened stainless steel alloy ring, face and keyway disc. It can be masterkeyed into any BEST masterkey system. Cylinder also conforms to ANSI A156.5 mortise cylinder, Grade 1A. The 1E7J4 cylinder must be combined at the factory. The 1E7K4 cylinder is available where UL listing is not a requirement, and can be ordered uncombined.

Note 1: The 1E7J4 cylinder meets UL437 standards only when used with a 36H/37H mortise case.

Note 2: Both 1E7J4 and 1E7K4 require long blade key for operation.



1E7J4 High Security Cylinder

1E7J4 – 1E7K4 Cylinder Specifications

Diameter: 1 ⁵/₃₂". 1.150-32 (NS-2A) threaded mortise cylinder.

Mounting length: 7 pin– 1 ¹/₁₆".

Material: Brass (cylinder) and stainless steel ring.

Finish: 630 (nickel plated satin stainless steel material).

Cylinder rings: High security wrench resistant, machined from stainless steel, hardened, and nickel plated. Special door preparation required. Diameter of hole 1 ³/₄".

Cylinder face, Keyway disc.: Stainless steel, hardened

Cam: Supplied with C258 cam. See page 8 for special cams.

To order: Designate "J4" or "K4" on Step "C" order procedure. (see page 2.)



1E7K4 High Security Cylinder

MX8 – PATENTED KEYING SYSTEM

One of the greatest threats to key control within your facility is the unauthorized duplication of keys; one simple solution is the use of the MX8 Patented Keying System by Stanley-Best Access Systems a patent-protected keying system.

Very seldom can a single product meet all of your exact needs, and often your level of convenience must be sacrificed to fit the capabilities of the product. The MX8 Patented Keying System provides you with a significant amount of flexibility, enabling a solution that fits your unique balance between security and convenience.

The MX8 Patented Keying System is available in two series of keyways, the M Series and the X Series. Each series offers a different blend of features to help you maximize convenience while optimizing your security.

The MX8 Patented Keying System has the ability to provide geographic exclusivity to the customer.



MX8 Key & Core

M Series Keyway Features

- Patented keys operate both MX8 and Standard BEST cores (backward compatibility) with existing BEST keyways (JKLM only). Standard keys do not operate MX8 cores.
- Available in large bow, long blade, and long nose key blanks to work with special applications.
- Available in core designs for use in special application locks, such as high security mortise, hotel cylinders, and glass display-case locks.
- Utilizes the same combining kits and key cutting equipment as the Standard BEST keyways.
- M Series keys operate MX8 cores and Standard (non-patented) BEST cores. Standard key blanks do not operate MX8 cores.

X Series Keyway Features

- Distinctive key design includes thicker key blanks with larger bow for added strength and easier handling.
- Keyways are unique to MX8 Patented Keying System offering even higher key duplication protection.
- Requires only minor modifications to key cutting equipment to accommodate new keyways. X Series keyways utilize the standard combining kit, minimizing the expense of system changeover.
- X Series keys only operate MX8 cores.

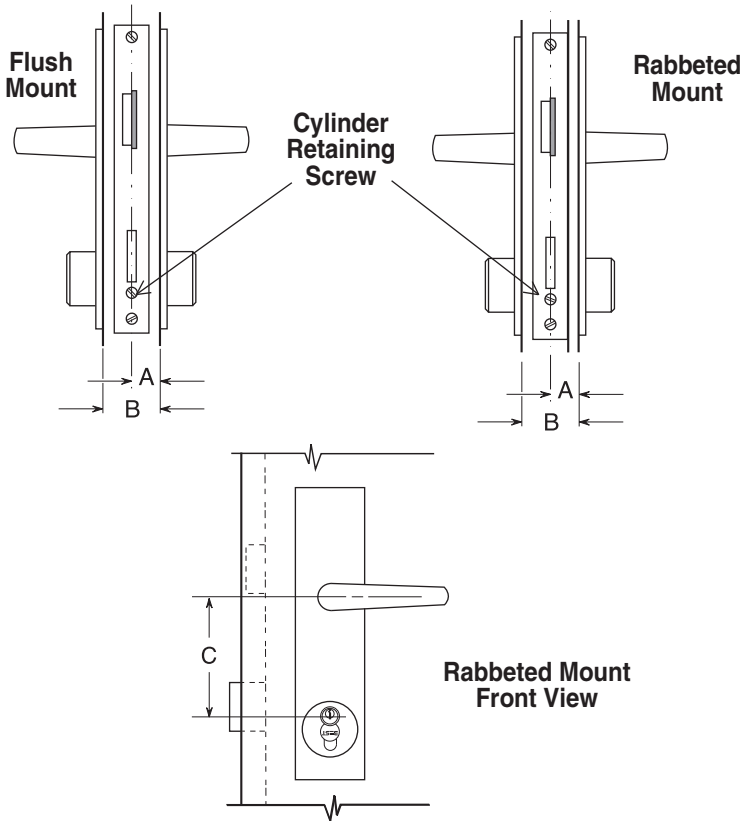
SPECIAL EUROPROFILES

Mortise locksets from a number of different international manufacturers can be incorporated into your BEST masterkeyed system by replacing the cylinder with a Best Eurocylinder and 3C European interchangeable core. When ordering, please specify the lock manufacturer's name and their model number. Some Euro profile cylinders will accept Best standard core rather than the 3C core. Please specify the "E" option when ordering standard cores for use in Eurocylinders.

The most popular of the European adaptations is for the Europe an cylinder. Best Access Systems order nomenclature and several required critical dimensions are listed below. Please specify, as requested when ordering.



8E7E5– Europrofile*
(* Requires use of 3C core)



8E7H6– for locks manufactured in Germany



3C– European Core

Critical Dimensions - Europrofile

- “A”– Dimension to center of lockset case. Determined by measuring from set screw location to outside of door face.
- “B”– Door thickness.
- “C”– Dimension from center of key rotation to center of handle rotation, if other than 72mm. Maximum allowed– 114mm. Minimum allowed– 37mm

HOW TO ORDER: EUROPROFILE

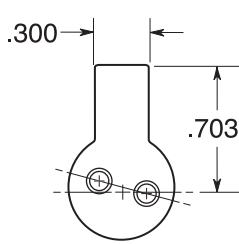
8E7E5	25mm	45mm	65mm	Keyed Alike	619
Eurocylinder	“A” Dimension	“B” Dimension	“C” Dimension	Keying Instructions	Finish: 619 - Satin Nickle Plated 626 - Satin Chrome Plated

CYLINDERS AND CAMS

Special cams are available which will operate most mortise locksets, regardless of make or function. With these cams, your masterkeyed system can be extended through the use of replacement cylinders with cams similar to those being used. A few of the cams are illustrated. Other designs are available upon request. All cams available are designed for use on BEST mortise cylinders.

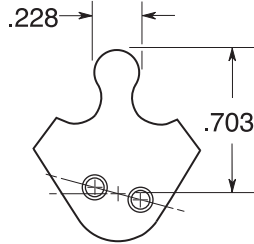
WARNING— Best Access Systems desires to provide up-to-date and reliable product adaptation uses. However, BEST cannot guarantee the quality of other manufacturers' locksets. In addition, other lock manufacturers' may make changes to their product that affect the operation and compatibility of our core and cylinder adaptation. When this occurs, those manufacturers' have no obligation to notify BEST. If you are using a BEST cylinder in another manufacturers' lockset and find that it does not operate properly for any reason, please contact your local BEST sales office immediately.

NOTE: Cams not drawn to scale



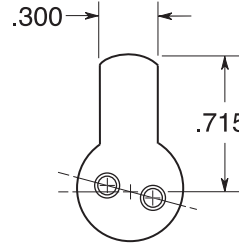
C4

(when ordered with cylinder, step E, page 2) **1E - C4** (for cam only)



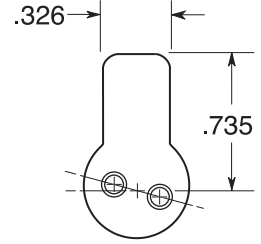
C118

(when ordered with cylinder, step E, page 2) **1E - C118** (for cam only)



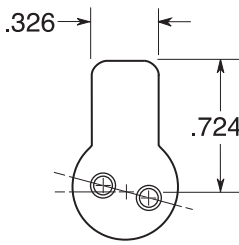
C127

(when ordered with cylinder, step E, page 2) **1E - C127** (for cam only)



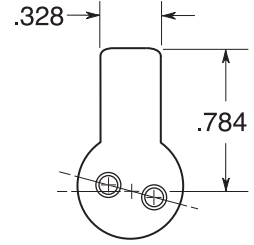
C128

(when ordered with cylinder, step E, page 2) **1E - C128** (for cam only)



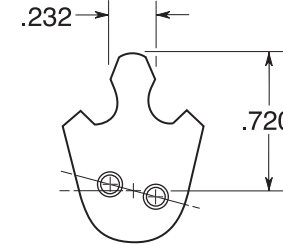
C129

(when ordered with cylinder, step E, page 2) **1E - C129** (for cam only)



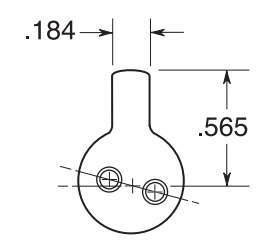
C136

(when ordered with cylinder, step E, page 2) **1E - C136** (for cam only)



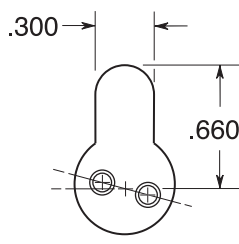
C161

(when ordered with cylinder, step E, page 2) **1E - C161** (for cam only)



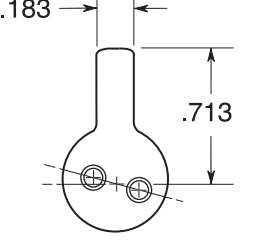
C181

(when ordered with cylinder, step E, page 2) **1E - C181** (for cam only)



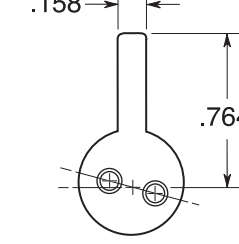
C191

(when ordered with cylinder, step E, page 2) **1E - C191** (for cam only)



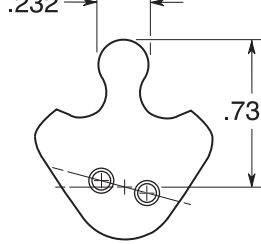
C208

(when ordered with cylinder, step E, page 2) **1E - C208** (for cam only)



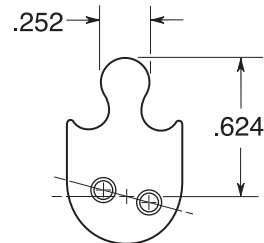
C210

(when ordered with cylinder, step E, page 2) **1E - C210** (for cam only)



C258

(when ordered with cylinder, step E, page 2) **1E - C258** (for cam only)



C265

(when ordered with cylinder, step E, page 2) **1E - C265** (for cam only)

NOTE: While certain functions may require a different cam, in general the following cams will work for these common applications.

- | | |
|---------------------------------|---------------------------------|
| C4.....Standard cam | C191Best mortise (latch) |
| C127....Arrow mortise (latch) | C208....Sargent |
| C161Corbin-Russwin mortise | C258....Best mortise (deadbolt) |
| Arrow mortise (deadbolt) | C265....Schlage L mortise |
| C181Adams Rite | |

1E-R7 RING CHART

Overall Length Available	Nomenclature if Ordered With Cylinder (see step "F" page 2)	Nomenclature if Ordered Without Cylinder
1/8"	R702	1E-R702
3/16"	R703	1E-R703
1/4"	R704	1E-R704
5/16"	R705	1E-R705
3/8"	R706	1E-R706
7/16"	R707	1E-R707
1/2"	R708	1E-R708
9/16"	R709	1E-R709
5/8"	R710	1E-R710
11/16"	R711	1E-R711
3/4"	R712	1E-R712



1E-R7 Straight Ring

Specifications - 1E-R7

To be used with BEST 1E series (1 5/32") Cylinders.

Dimensions– inside diameter- 1 5/32", outside diameter 1 5/16" length-see chart at left.

Material– solid brass or bronze

Finish– available in 605, 606, 612, 613, 625 and 626

1E-R8 RING CHART

Overall Length Available	Nomenclature if Ordered With Cylinder (see step "F" page 2)	Nomenclature if Ordered Without Cylinder
1/8"	R802	1E-R802
3/16"	R803	1E-R803
1/4"	R804	1E-R804
5/16"	R805	1E-R805
3/8"	R806	1E-R806
7/16"	R807	1E-R807
1/2"	R808	1E-R808
9/16"	R809	1E-R809
5/8"	R810	1E-R810
11/16"	R811	1E-R811
3/4"	R812	1E-R812
13/16"	R813	1E-R813
7/8"	R814	1E-R814
15/16"	R815	1E-R815
1"	R816	1E-R816



1E-R8 Tapered Slip Ring-Wrench Resistant

Specifications - 1E-R8

To be used with BEST 1E series (1 5/32") Cylinders.

Dimensions– inside diameter - 1 5/32", inside rim counter-bored to protect cylinder head. Outside diameter - tapered 1 1/2" to 1 29/64" length-see chart at left.

Material– solid brass or bronze

Finish– available in 605, 606, 612, 613, 625 and 626

UTILITY CYLINDER LOCK



5E- 3/4" Cylinder

Specifications

The 5E utility cylinder lock fits standard 3/4" diameter cylinder installations such as wood or metal desks, file cabinets, vending machines, utility and storage cabinets, elevators and security alarm control panels. The complete 5E assembly includes a combined 3/4" cylinder with cam, hex nut, lock washer and spacer collar.

Maximum mounting surface thickness— 5E utility cylinder locks may be mounted on surfaces with the following maximum thickness: **5E6**— 11/16", **5E7**— 27/32"

Keying— May be keyed individually, keyed alike or masterkeyed into a new or existing Best standard masterkeyed security system.

Service— 5E cylinders may be recombined and serviced onsite. Special service equipment is available (see Service Equipment Section of Best catalog).

Finish— 626 satin chrome only

5E Combining and Service Accessories

Nomenclature	Item
A-8049	5E 3/4" Hex Nut
A-21068	Washer for cylinder body head
A-4845	Cam Screws
A-4045	Lock washer for cam screws
5ED261	5E capping block
5ED253	5E thread tap - 3/4" x #24
5ED254	5E 3/4" metal punch and die set (slab)
5ED262	5E cap depressor
5ECP6	Slide cap - 6 pin
5ECP7	Slide cap - 7 pin
5ES1	5E springs

***NOTE:** The 5E lock is not available for Premium and Peaks keying systems.

Refer To The Following Procedure When Ordering
See Order Example At Bottom Of Next Page.

A Cam Motion and Degree of Rotation

When ordering 5E cylinders, specify the cam motion type and degree of rotation. Available cam motion types are listed below. Different type motions are limited to different degrees of key rotations.

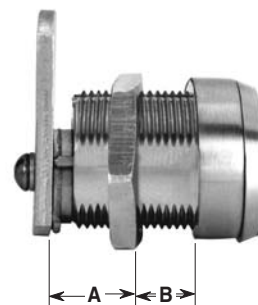
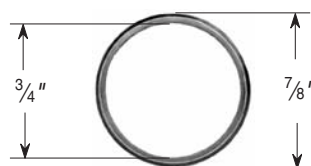
Type A— Direct motion - Key and cam rotation is direct. Key may be removed in locked position only. Motion is 360 degrees right or left.

Type B— Limited motion - Key and cam rotation is direct. Key may be removed in locked position only. Motion is limited to 90 degrees or 180 degrees right or left.

Type C— Lost motion. Cam rotates 90 degrees right or left. Key rotates 360 degrees. Key removal with cam in locked or unlocked position.

Type D— Throw member drive - Key and drive motion is direct. Key may be removed in locked position only. Motion is 360 degrees right or left.

B Determine Ring Length



A spacer collar may be required to position the cam for proper lock operation. The spacer collar is installed between the 5E cylinder head and the mounting surface. To determine the proper length of the spacer collar, add together: the desired distance from the cam to the inside of the mounting surface ("A" above) to the measured thickness of the mounting surface ("B" above). Then, subtract this total from: 31/32" when installing a 5E6, or 1 1/8" when installing a 5E7. The remainder is the collar length, which is illustrated.

To properly order spacer collars, designate the following nomenclature for the length desired:

5E Spacer Collar Length Chart

Length	Nomenclature	To order separately
1/16"	R701	5E-R701
1/8"	R702	5E-R702
3/16"	R703	5E-R703
1/4"	R704	5E-R704
5/16"	R705	5E-R705
3/8"	R706	5E-R706
7/16"	R707	5E-R707
1/2"	R708	5E-R708

5E SERIES

C Select Proper Cam Type

Cam

Cams for 5E cylinders are available with a number of variations to suit the particular application as required. Two major variations that must be designated on the order are: A.) The cam type, and B.) The cam length.

Cam Types

The following cam types are available for the Best 5E cylinder. Other designs are available upon request. (See page 8)



C1 Straight Cam Fixed Motion
C3 Straight Cam Lost Motion
4A&4B Offset Cam Lost Motion
2A&2B Offset Cam Fixed Motion

Cam Types Defined (Listed relative to motion/rotation)

C1– Straight cam mounted for fixed motion operation (used in conjunction with type “A” and type “B” motions). To order cam separately, designate 5E-C1 and length from code chart at option D.

C3– Straight cam mounted for lost motion operation (used in conjunction with type “C” cam motions). To order cam separately, designate 5E-C3 and length from code chart at option D.

2A– Offset cam (inward mount) for lost motion operation (used in conjunction with type “A” and type “B” motions). To order cam separately, designate 5E-C2A and length from code chart at option D.

2B– Offset cam (outward mount) for fixed motion operation (used in conjunction with type “A” and type “B” motions). To order cam separately, designate 5E-C2B and length from code chart at option D.

4A– Offset cam (inward mount) for fixed motion operation (used in conjunction with type “C” cam motions). To order cam separately, designate 5E-C4A and length from code chart at option D.

4B– Offset cam (outward mount) for lost motion operation (used in conjunction with type “C” cam motions). To order cam separately, designate 5E-C4B and length from code chart at option D.

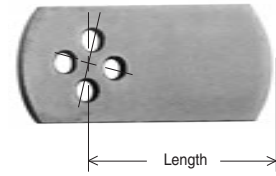
D– Direct throw member drive and tailpiece. Throw pins engage cylinder to flat spindle tailpiece. The standard flat spindle tailpiece is 1 1/16” and may be cut to length desired. To order spindle separately, designate 5E-D.

D Determine Cam Length

Cam length is determined by measuring from center of the cam rotation to the tip of the cam.

Straight Cam

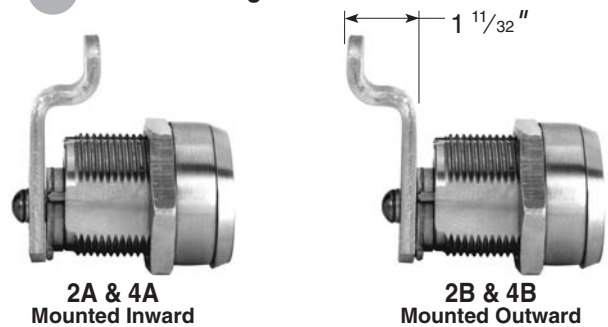
Length	Code #
5/8"	10
3/4"	12
7/8"	14
1"	16
1 1/4"	20
1 1/2"	24
2"	32
2 1/2"	40
3"	48
3 1/2"	56



Offset Cam

Length	Code #
1 1/16"	17
1 5/16"	21
1 13/16"	29
2 5/16"	37
2 13/16"	45

E Cam Mounting Position and Cam Direction



2A & 4A Mounted Inward

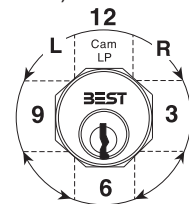
2B & 4B Mounted Outward



Direct Throw Member Drive and Tailpiece

Cams may be mounted in one of four "clock" positions as pictured below. Designate cam mounting and rotation direction (right-"R" left-"L"). Key is only removable in the locked position, unless ordering type C. (Available in locked and unlocked positions.)

3 o'clock	=	3
6 o'clock	=	6
9 o'clock	=	9
12 o'clock	=	12



HOW TO ORDER

5E	7	A	1	C	R708	4B	20	12	R	90	626
Series	Lock Body	Keyway	Combining Code	Cam Motion	Ring Length	Cam Type	Cam Length	Mouting Position	Cam Direction	Degree of Rotation	Finish
5E-3/4"	6-6 pin 7-7 pin	designate specific keyway (A,E etc.) see note page 10.	1– uncomb. 2-A2 system 3-A3 system 4-A4 system	A-direct B-limited C-lost D-throw member drive (see A page 10)	R701- 1/16" R702- 1/8" R703- 3/16" R704- 1/4" R705- 5/16" R706- 3/8" etc. (see B page 10)	C1-fixed straight 2A-fixed offset in 2B-fixed offset out C3-lost motion 4A-lost motion offset in 4B-lost motion offset out D-direct (see C above)	10- 5/8" 12- 3/4" 14- 7/8" 16- 1" etc., in 1/16" of an inch (see D above)	3– 3 o'clock 6– 6 o'clock 9– 9 o'clock 12–12 o'clock (see E above)	R– right L– left (see E above)	90– 90° 180–180° 360– 360° (see A page 10)	626 standard



For more information on Stanley Security Solutions' products, services, and office locations visit our web site at www.stanleysecuritysolutions.com

Product information contained in this catalog has been compiled and presented with as much care and completeness as is reasonably possible. Errors or mistakes may be present, and in many cases, reliance has been placed on information supplied by other manufacturers which may be in error or which may be subject to changes or modifications by the manufacturer without notice and without obligation. Therefore, no guarantee can be made or should be assumed or implied with regards to product information contained in this catalog.



Stanley Security Solutions, Inc.

6161 E. 75th Street Indianapolis, Indiana 46250

www.stanleysecuritysolutions.com

© 2009 Stanley Security Solutions, Inc. and Stanley Logistics

10M 709FP
BAS030

STANLEY[®]
Security Solutions



CYLINDRICAL ADAPTATIONS

CYLINDRICAL ADAPTATION LOCKS



TABLE OF CONTENTS		Page	Page
Introduction.....	2	How to Order	6
9K/7KC Features	2	Alternate Through-Bolt Options	6
9K/7KC Specifications	3	Components & Kits.....	7
9K/7KC Functions	4	KIK Cylinders	7
9K/7KC Lever & Trims	5	SCHRC Kit	7

INTRODUCTION

Many customers appreciate the quality and durability of Stanley/BEST cylindrical locks, but do not have the need for the BEST interchangeable core keying systems. For these applications, BEST offers 9K grade 1 and 7KC grade 2 cylindrical locks compatible with conventional Key-in-Knob (KIK) cylinders in a variety of trim styles. In addition, the 9K lock is capable of accepting removable cores in the proprietary Schlage large format figure-8 design.

Stanley/BEST cylindrical locks can be ordered configured for use with OEM cylinders from another manufacturer (KIK or Schlage RC formats). Locks can also be ordered complete with a keyed KIK cylinder. In either case, we will provide all the necessary components to assure the cylinder and lockset operate together properly.

Many customers may prefer to use Stanley/BEST locks, but have doors already prepared for a different through-bolt configuration. We offer an alternative through-bolt option, enabling the 7KC and 9K to retrofit another common door preparation (2 3/4" through-bolt spacing).

FEATURES / BENEFITS

9K

- Once installed, no complex disassembly is required to remove the lever. Lever cannot be removed without a key.
- Accepts OEM Key-in-Knob (KIK) cylinders from the following manufacturers: Corbin-Russwin, Medeco, Sargent, Schlage, Yale. Special tailpiece required (supplied by BEST).
- Accepts OEM Removable Core cylinders from Schlage. Special tailpiece required (supplied by BEST).
- Available in all 9K finishes (When ordered with KIK cylinder from BEST, 626 finish cylinder provided for 626 and 625 finishes; 606 finish cylinder provided for all other finishes).
- Available in all keyed functions except H, HJ, and C
- Available in standard BEST door preparation and alternative through-bolt door preparation (2 3/4" through-bolt hole spacing).
- Meets all BHMA Grade 1 requirements



9K-SCHRC



9K-KIK

7KC

- Once installed, no complex disassembly is required to remove the lever. Lever cannot be removed without a key.
- Accepts OEM Key-in-Knob (KIK) cylinders from the following manufacturers: Corbin-Russwin, Medeco, Sargent, Schlage, Yale (use OEM supplied tailpiece).
- Available in all 7KC finishes (When ordered with KIK cylinder from BEST, 626 finish cylinder provided for 626 and 625 finishes; 606 finish cylinder provided for all other finishes).
- Available in standard BEST door preparation and alternative through-bolt door preparation (2 3/4" through-bolt hole spacing).
- Meets all BHMA Grade 2 requirements.



7KC-KIK

9K SPECIFICATIONS

American National Standard– ANSI A156.2, Series 4000 Grade 1 (formerly FF-H-106C Series 161.)

Backset– 2 3/4" standard, 3 3/4" and 5" available.

Certifications– **UL Listed:**

Listed by Underwriter's Laboratories for use on 3 Hr, A label single swinging doors (4'x10'). GYJT Builders Hardware-single point locks or latches.

Chassis– Critical latch and chassis components are brass or corrosion-treated steel.

Door thickness– Available for 1 3/4" to 2 1/4" doors. Spacers available for 1 3/8" doors.

Finishes– **605**– bright brass, **606**– satin brass, **611**– bright bronze, **612**– satin bronze, **613**– oxidized satin bronze, oil rubbed, **618**– bright nickel plated, **619**– satin nickel plated, **622**– flat black, **625**– bright chromium plated, **626**– satin chromium plated, **690**– dark bronze

Latch– Solid brass 9/16" throw. Front 2 1/4" x 1 1/8" beveled.

Lever handles– Lever handles are a high-quality zinc alloy. Trim components are brass or bronze. Body is approximately 1 5/8" in diameter; Handle is approximately 4 3/4" long (from center-line of chassis). #14 and #15 levers conform to California Administrative Code Title 19 and Title 24. All three styles of levers conform to the Illinois Accessibility Standard.

Mounting– In addition to standard door preparation (ANSI A115.2 for 1 3/4" doors), two additional holes are needed for through-bolts. Through bolts require two 5/16" diameter holes located at 12 o'clock and 6 o'clock positions. A drill jig is provided to insure accuracy of the holes. Drill jig not available for ATB mounting option.

Projection on door– Approximately 2 3/4" when mounted on 1 3/4" door.

Roses– **C** - 3" Convex; **D** - 3 1/2" Convex; **K** - 3" Convex - no ring; **L** - 3 1/2" Convex - no ring.

Strike– **STK**: Conforms to ANSI A115.2 (2 3/4" x 1 1/8" with curved lip & box). **S3**: Conforms to ANSI A115.2 for 1 3/4" doors (4 7/8" x 1 1/4" with curved lip). **S3-7/8**: Conforms to ANSI A115.2 for 1 3/4" doors (4 7/8" x 1 7/8" flat)

Products protected by one or more of the following patents:

U.S.:			Canada:
D290,085	4,437,695	4,428,212	1,184,773
4,843,852	4,318,558	4,428,570	1,194,057
4,262,507	4,496,178	4,779,908	1,229,358
5,116,170			Other products patent pending.



7KC SPECIFICATIONS

Backset– 2 3/8" for 72KC Series; 2 3/4" for 73KC Series; 3 3/4" for 74KC Series; 5" for 75KC Series.

Certifications– This product is listed in BHMA Directory of Certified Locks and Latches as conforming to ANSI A156.3, Grade 2. California Administrative Code Title 19 and 24. Illinois Accessibility Standard.

American National Standard– Listed by Underwriters Laboratories for use on 3 hour, A label single swinging doors (4' x 8').

Door thickness– 1 3/8" to 2".

Finishes– **605**– bright brass, **606**– satin brass, **612**– satin bronze, **613**– oxidized satin bronze, oil rubbed, **625**– bright chromium plated, **626**– satin chromium plated

Latch– 1/2" throw deadlocking latch. Front: 2 1/4" x 1 1/8" x 5/32" standard for 2 3/4" backset; 2 1/4" x 1" x 5/32" for 2 3/8" backset.

Lever– 5 1/4" long handle with return. Projection on door 2 1/2". Zinc base, plated to match finish.

Material– Component parts include brass, bronze or zinc. Internal parts are zinc dichromated steel.

Mounting– In addition to standard door preparation (ANSI A115.2 for 1 3/4" doors), two additional holes are needed for through-bolts. Through bolts require two 5/16" diameter holes located at 12 o'clock and 6 o'clock positions. A drill jig is provided to insure accuracy of the holes. Drill jig not available for ATB mounting option.

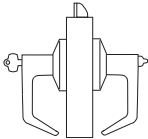
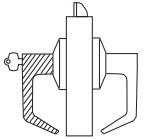
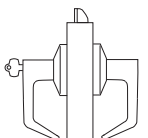
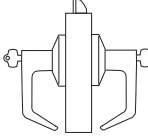
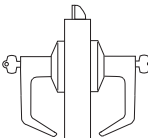
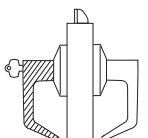
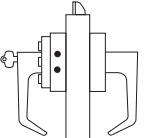
Rose– **D**– 3 1/2" diameter mounting screws concealed.

Strike– **STK** (standard)– 2 3/4" x 1 1/8" with curved lip & box. (ANSI A115.2 for 1 3/8" doors). **S3**– 4 7/8" x 1 1/4" with curved lip & box. (ANSI A115.2 for 1 3/4" doors).

Products protected by one or more of the following patents: 4,843,852 D,290,085 4,930,822



9K/7KC FUNCTIONS

Function & Diag. (ANSI No.)	Description	Outside Lever		Inside Lever	
		Latch operated by	Locked by	Unlocked by	Locked by
9K & 7KC Functions					
Entrance  AB F109	<ul style="list-style-type: none"> Rotating the inside lever, Rotating the outside lever—only when the inside push button is out, Turning the key in the outside lever 	<ul style="list-style-type: none"> Pushing the inside button, Pushing and turning the inside button. Turning the button keeps the outside lever locked until the button is turned back 	<ul style="list-style-type: none"> Turning the key in the outside lever, (only when the button is not turned) Rotating the inside lever, (only when the button is not turned). Closing the door (only when the button is not turned) 	Cannot be locked	Always unlocked
Storeroom  D F86	<ul style="list-style-type: none"> Turning the key in the outside lever, Rotating the inside lever 	Always fixed	Cannot be unlocked	Cannot be locked	Always unlocked
Classroom  R F84	<ul style="list-style-type: none"> Rotating the inside lever, Turning the key in the outside lever, Rotating the outside lever when not locked by key 	Turning the key in the outside lever	Turning the key in the outside lever	Cannot be locked	Always unlocked
9K Only Functions					
Intruder  IND	<ul style="list-style-type: none"> Rotating inside lever, Rotating outside lever only when not locked by inside or outside key 	<ul style="list-style-type: none"> Turning key in the inside lever, Turning the key in the outside lever 	<ul style="list-style-type: none"> Turning key in the inside lever, Turning the key in the outside lever 	Cannot be locked	Always unlocked
Electrically Locked  DEL	<ul style="list-style-type: none"> Rotating the inside lever, Rotating the outside lever only when power is off, Turning the key in the outside lever 	<ul style="list-style-type: none"> Applying 24 Volts DC. Outside lever remains locked only while power is on 	Switching off 24 Volts DC	Cannot be locked	Always unlocked
Electrically Unlocked  DEU	<ul style="list-style-type: none"> Rotating the inside lever, Turning the key in the outside lever, Rotating the outside lever when not locked by key 	Turning the key in the outside lever	Turning the key in the outside lever	Cannot be locked	Always unlocked
Cylindrical latch key override  DV	Mechanical		Electronic		
	Dead locking latchbolt operated by lever either side, except when outside lever is locked by internal motor drive mechanism; latchbolt is deadlocked		Internal motor drive mechanism operated by time-activated electronic signal or presenting valid card/ PIN. Green light indicates valid access. Red light and sounder indicate invalid access attempt. Lock records card number, time, date and type of event.		

Note: Other functions available, refer to 9K series catalog.

9K LEVER & TRIMS



#14 non-IC



#15 non-IC



#16 non-IC



#14 SCHRC Removable Core



#15 SCHRC Removable Core

7KC LEVER & TRIMS



#14 non-IC



#15 non-IC



#16 non-IC

HOW TO ORDER

How To Order: 9K

93K	6	AB	15	D	STK	626	KD
Backset	Core Housing	Function Code	Lever	Trim Style	Strike Package	Standard Finishes	Options
93K– 2 3/4" 94K– 3 3/4" 95K– 5"	0– keyless 6– 6 pin non-IC cylinder	AB– entrance D– storeroom R– classroom etc.	14– curved return ♿ 15– contour angle return ♿ 16– curved no return ♿	C– 3" D– 3 1/2"	STK–standard S3–ANSI	605 606 612 613 625 626 690	0B ⁺ – non-IC zero-bitted KA ⁺ – non-IC keyed alike KD ⁺ – non-IC keyed different COR ⁺ – non-IC Corbin–Russwin MED ⁺ – non-IC Medeco SAR ⁺ – non-IC Sargent SCH ⁺ – non-IC Schlage YAL ⁺ – non-IC Yale SCHRC ⁺ – Schlage removable core (14 and 15 lever only) ATB ⁺ – alternate through-bolt

* Six-pin cylinder in Schlage “C” included with 0B, KA, and KD options. Must specify “6” for core housing.

** Cylinder not included with OEM options. “0” must be specified for core housing.

*** Only available on D rose, not available for 9K stand-alone electronic products or IDH Max.

How To Order: 7KC

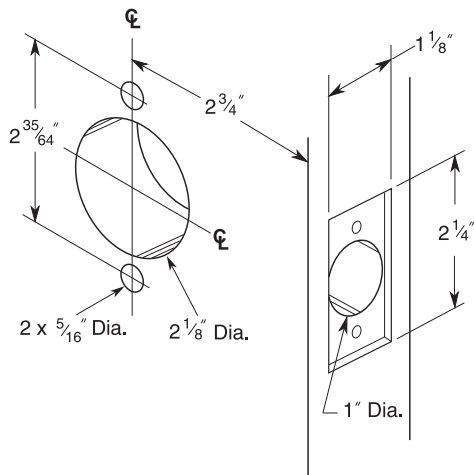
73KC	6	AB	15	D	STK	626	KD
Backset	Core Housing	Function Code	Lever	Trim Style	Strike Package	Standard Finishes	Options
72KC– 2 3/8" 73KC– 2 3/4" 74KC– 3 3/4" 75KC– 5"	0– keyless 6– 6 pin non-IC cylinder	AB– entrance D– storeroom R– classroom etc.	14– curved ♿ 15– contour ♿ 16– curved no return ♿	D– 3 1/2"	STK–standard S3–ANSI	605 606 612 613 625 626	0B ⁺ – non-IC zero-bitted KA ⁺ – non-IC keyed alike KD ⁺ – non-IC keyed different OEM ⁺ – non-IC OEM cylinder ATB– alternate through-bolt

* Six-pin cylinder in Schlage “C” included with 0B, KA, and KD options. Must specify “6” for core housing.

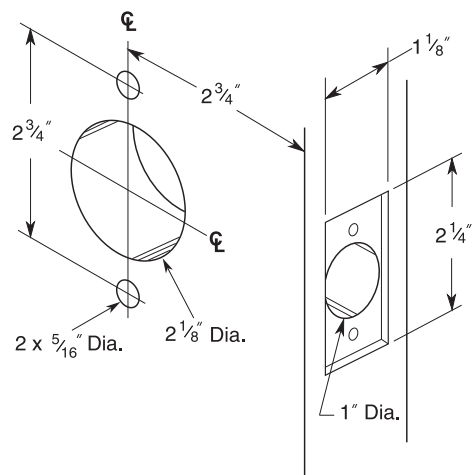
** Cylinder not included with OEM option. “0” must be specified for core housing.

ALTERNATE THROUGH-BOLT (ATB) OPTION

The alternate through-bolt (ATB) option for the 9K and 7KC Cylindrical Lock is designed to ease the installation when retrofitting a competitor product. Many commercial grade cylindrical locksets utilize a through-bolt hole spacing of 2 3/4", whereas standard BEST cylindrical locks utilize a 2 35/64" spacing. On the 9K and 7KC, ATB option is only available for locks that use the D rose.



Standard BEST door preparation



ATB door preparation option

COMPONENTS & KITS

Key In Knob Cylinders

BEST cylindrical locks can be ordered complete with a keyed KIK cylinder provided by BEST. All the necessary components to assure the cylinder and lockset operate together properly will be provided.

Keyed Cylinders Options

When a non-IC lockset is provided with a cylinder, the following three options are available. All three options utilize a "Schlage C" keyway.

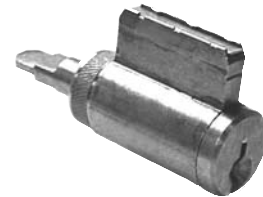
- **KD** – Bag set includes a combined cylinder, two cut keys, and a selection of tailpieces. Cylinders have a unique combination, which is noted on the keys. Available in either brass (606) or chrome (626).
- **KA** – Bag set includes a combined cylinder, two cut keys, and a selection of tail pieces. **Cylinders are sold in sets of 4 having the same combination.** Combination is noted on the keys. Available in either brass (606) or chrome (626). When ordered with a lock, locks will be packaged 4 to a box to prevent mixing of cylinder codes.
- **OB** – Bag set includes a combined cylinder, two uncut keys, and a selection of tailpieces. All barrels combined to a zero cut. Keys are uncut and blank. Available in either brass (606) or chrome (626). This option is intended for pinning by the distributor or customer, so the uncut keys can be cut to the proper codes after combining.

Keyed cylinders may also be purchased from BEST independently from a lockset by specifying the part numbers as shown.

<u>Part No.</u>	<u>Description</u>
1888955	Keyed Different non-IC cylinder – 626
1888913	Keyed Different non-IC cylinder – 606
1891329	Keyed Alike non-IC cylinder – 626 (set of 4)
1891287	Keyed Alike non-IC cylinder – 606 (set of 4)
1888798	Zero-Bitted non-IC cylinder – 626
1888756	Zero-Bitted non-IC cylinder – 606



B55708 Tailpiece



Key-In-Knob Cylinder

NOTE: When using the cylinders shown (right) with a 9K lock, a B55708 tailpiece is required (not included with cylinder).

SCHRC KIT



The SCHRC adaptation kit allows a 9K cylindrical lock to accept cores in the proprietary large format figure-8 design from Schlage®. This option enables customers to enjoy the benefits of a BEST 9K lockset without having to replace their existing Schlage Removable Core keying system.

The SCHRC adaptation kit contains all the necessary parts to convert a standard 9K interchangeable core chassis to accept cores in the proprietary large format figure-8 design from Schlage® including: lever, tailpiece, washer and spacer.

Please note that double keyed functions require two adaptation kits.

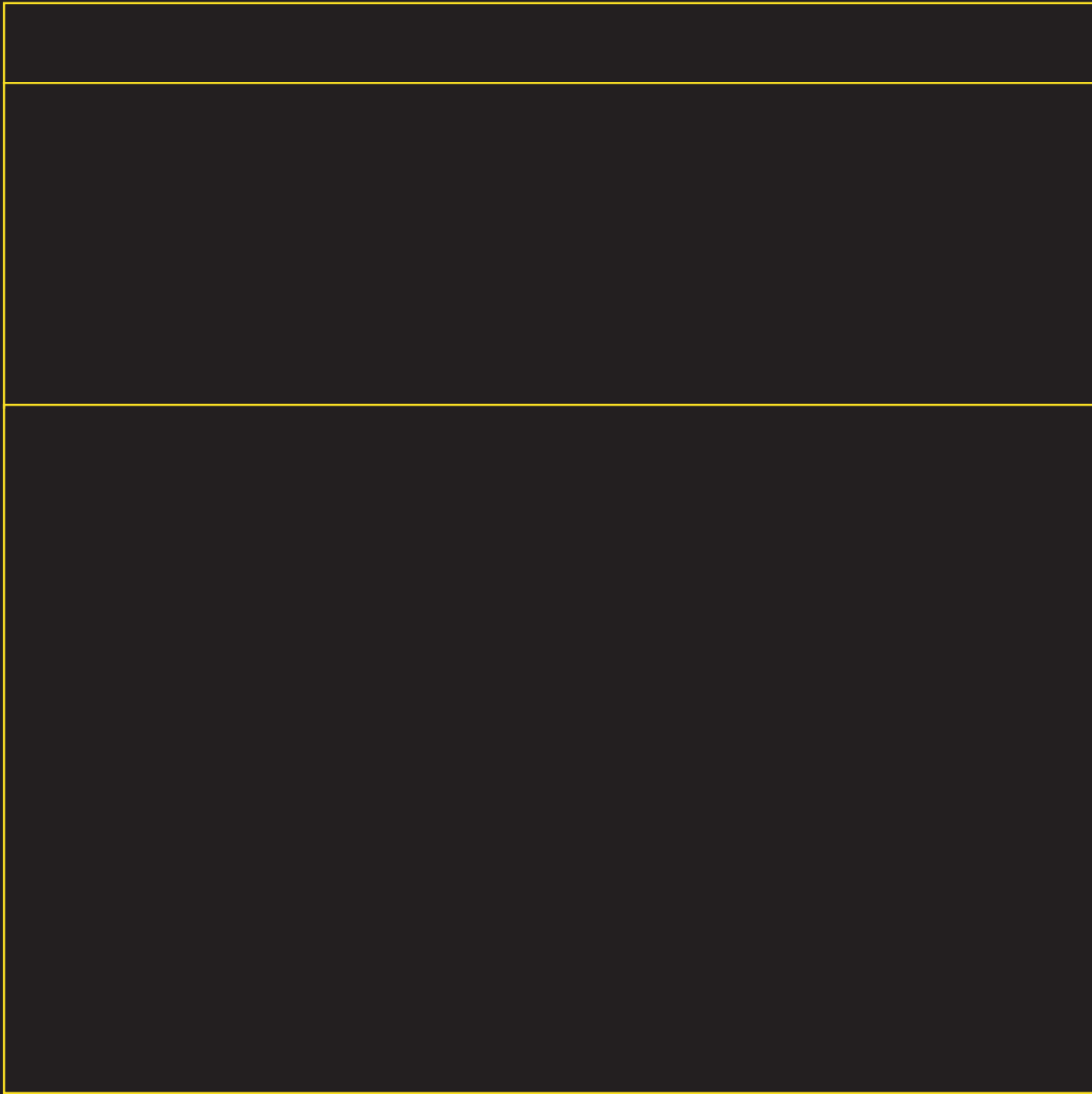
Note: Core not included.

How To Order: 9KA

9KA	SCHRCKT	15	626
Family	Kit Type	Lever Style	Finish
9KA– Adaptation Kit	SCHRCKT– Schlage RC Adaptation Kit	14– curved  return	605 606 612 613
		15– contour  angle return	625 626 690



Replacement Kit



For more information on Stanley Security Solutions' products, services, and office locations visit our web site at www.stanleysecuritysolutions.com

Product information contained in this catalog has been compiled and presented with as much care and completeness as is reasonably possible. Errors or mistakes may be present, and in many cases, reliance has been placed on information supplied by other manufacturers which may be in error or which may be subject to changes or modifications by the manufacturer without notice and without obligation. Therefore, no guarantee can be made or should be assumed or implied with regards to product information contained in this catalog.



Stanley Security Solutions, Inc.

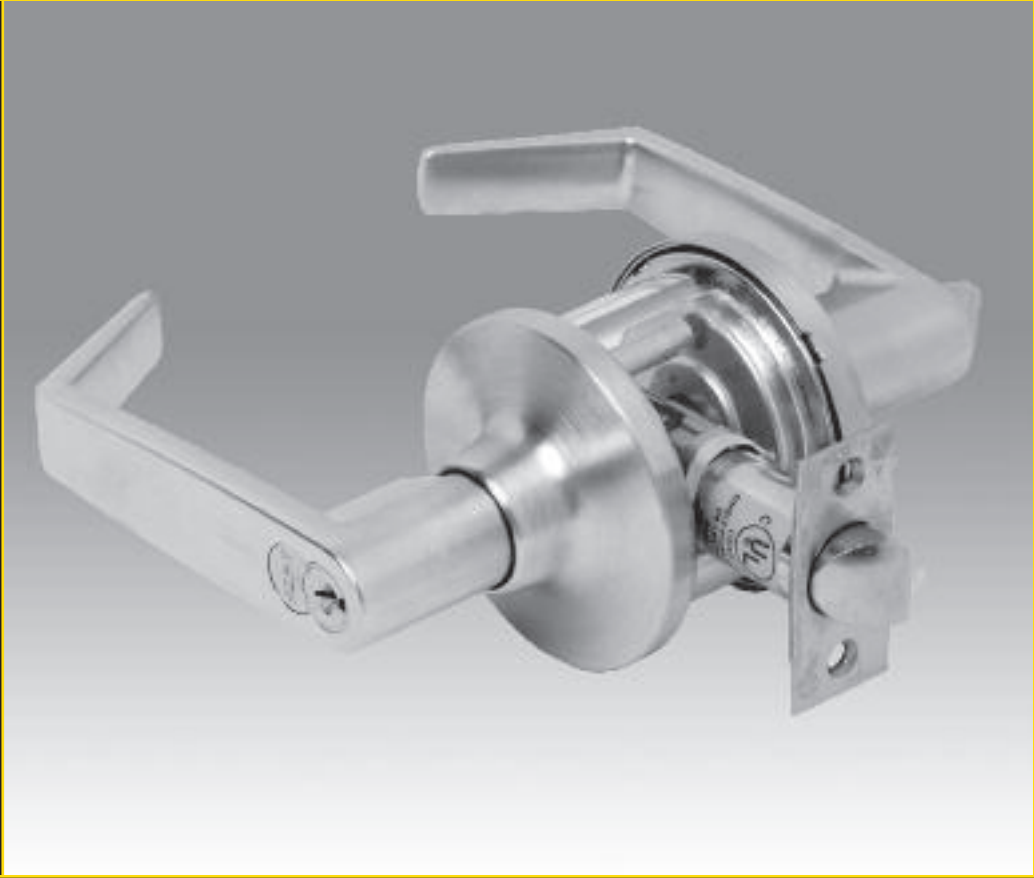
6161 E. 75th Street Indianapolis, Indiana 46250

www.stanleysecuritysolutions.com

© 2009 Stanley Security Solutions, Inc. and Stanley Logistics

10M R709FP
BAS013

STANLEY[®]
Security Solutions



SK SERIES

LIGHT/MEDIUM DUTY COMMERCIAL



FEATURES

Features & Benefits

- Universal latch easily adjusts to fit both a 2 3/4" and 2 3/8" backset.
- 3" diameter rose with no exposed mounting screws.
- Meets or exceeds ANSI/BHMA A156.2 Series 4000, Grade 2 strength and operational requirements.
- Meets ADA Title III requirements and Illinois Accessibility Standard.
- Quick rekeying with BEST® interchangeable cores.
- Listed by Underwriters Laboratories for use on a 3 hour, A label single swinging doors (4' x 8').
- Lockset reversible for either hand of door without removing keyed lever.



5K Light/Medium Duty Lockset

Products protected by one or more of the following patents:

5,590,555
5,794,472



SPECIFICATIONS

Backset: Universal latch fits either 2 3/8" (60 mm) or 2 3/4" (70mm)

Lock Chassis: Tubular construction. Steel with stainless steel or brass cover

Finishes: **605** – bright brass, **612** – satin bronze, **613** – oxidized satin bronze, oil rubbed, **626** – satin chromium plated

Core Housing: Interchangeable core or key-in-knob

Latch Bolt: Universal 1/2" throw deadlocking latch fits both backsets. Faceplate: 2 1/4" x 1" x 5/32" with adapter for 1 1/8" wide faceplate applications

Material: Levers are zinc base, roses are brass or stainless steel, plated to match finish symbols. Latch face plates and strikes are stainless steel or steel. Lock chassis is steel with stainless steel or brass cover

Levers: 15 Lever – 5 1/8" long handle (129mm). Projection on door 2 5/8" (66mm).

14 Lever – 4 3/4" long handle (119.2mm). Projection on door 2 5/8" (66mm).

Mounting: 2 1/8" diameter bore for lock housing. 1" diameter for latch tube

Rose: **C** – 3" diameter mounting screws concealed

Strike: **STK** (standard) – 2 3/4" x 1 1/8" with curved lip (ANSI 115.2 for 1 3/8" doors). **S3** – 4 7/8" x 1 1/4" with curved lip (ANSI A115.2 for 1 3/4" doors). **FL** – 2 1/4" x 1 1/4" with curved lip and box and rounded corners.

Door Thickness: 1 3/8" to 1 3/4" (35mm to 44mm standard)

HOW TO ORDER

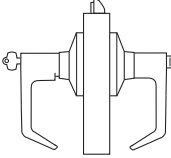
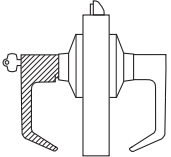
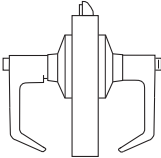
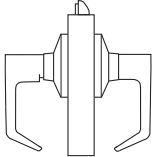
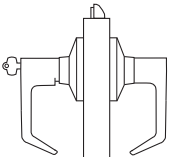
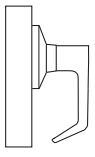
5K	7	A	15	C	STK	626	
Backset	Core Housing	Function Code	Lever	Trim Style	Strike Package	Standard Finishes	Options
5K– 2 3/8" or 2 3/4" adjustable backset	0– keyless 6– 6-pin non-IC cylinder 7– 7-pin IC housing accepts all Best cores	A– entrance D– storeroom L– privacy N– passage R– classroom 1DT– dummy trim***	14– curved return 15– contour angle return	C– 3"	STK– standard S3– ANSI FL– full lip radius strike	605 612 613 626	0B*– non-IC zero-bitted KA*– non-IC keyed alike KD*– non-IC keyed different OEM**– non-IC OEM cylinder

* Six-pin cylinder in Schlage "C" included with 0B, KA, and KD options. Must specify "6" for core housing

** Cylinder not included with OEM option. Must specify "0" for core housing.

***Through-bolt makes it difficult to install two dummy trims on the same door with perfect alignment. Double dummy trimming may result in imperfect alignment.



Function & Diag. (ANSI No.)	Description	Outside Lever		Inside Lever	
		Latched by	Locked by	Unlocked by	Locked by
Single Keyed					
A-Entrance  F81- Grade 2	<ul style="list-style-type: none"> Rotating inside lever, Rotating outside lever—only when inside turn button is in unlocked position, Turning the key in the outside lever <p>NOTE: Turn button must be manually rotated to unlock the outside lever.</p>	<ul style="list-style-type: none"> Turning the inside button Turning the key in the outside lever 	<ul style="list-style-type: none"> Turning the inside button Turning the key in the outside lever 	Cannot be locked	Always unlocked
D-Storeroom  F86- Grade 2	<ul style="list-style-type: none"> Turning key in the outside lever, Rotating the inside lever 	Always locked	Turning key in the outside lever	Cannot be locked	Always unlocked
L-Privacy  F76- Grade 2	<ul style="list-style-type: none"> Rotating inside lever, Rotating outside lever—only when inside turn button is in unlocked position. 	Turn inside button	<ul style="list-style-type: none"> Rotating outside slotted button, Rotating the inside lever. 	Cannot be locked	Always unlocked
N-Passage  F75- Grade 2	<ul style="list-style-type: none"> Rotating inside lever, Rotating outside lever. 	Cannot be locked	Always unlocked	Cannot be locked	Always unlocked
R-Classroom  F84- Grade 2	<ul style="list-style-type: none"> Rotating inside lever, Turning the key in the outside lever when outside lever is locked, Rotating outside lever when not locked by key. 	Turning key in the outside lever	Turning key in the outside lever	Cannot be locked	Always unlocked
1DT-Single Dummy Trim  Grade 2	<p>This is a single, surface-mounted lever for an inactive door or a non-latching door.</p> <p>NOTE: Through-bolt makes it difficult to install two dummy trims on the same door with perfect alignment. Double dummy trimming may result in imperfect alignment.</p>				

STRIKES & DOOR PREPARATION



STK Strike
(Supplied Standard)

Dimension: Conforms to ANSI 115.2 for 1 3/8" doors (2 3/4" x 1 1/8" with curved lip and box)

To order with lockset:
Designate "STK"



S3 Strike
(ANSI Strike)

Dimension: Conforms to ANSI 115.2 for 1 3/4" doors (4 7/8" x 1 1/8" with curved lip)

To order with lockset:
Designate "S3"



FL Strike
(Full Lip Radius Strike)

Dimension: 2 1/4" x 1 1/4" with full curved lip and rounded corners

To order with lockset:
Designate "FL"

CORMAX™ PATENTED KEYING SYSTEM

One of the greatest threats to key control within your facility is the unauthorized duplication of keys; one simple solution is the use of the CORMAX™ Patented Keying System.

Very seldom can a single product meet all of your exact needs, and often your level of convenience must be sacrificed to fit the capabilities of the product. The CORMAX Patented Keying System provides you with a significant amount of flexibility, enabling a solution that fits your unique balance between security and convenience.

The CORMAX Patented Keying System is available in two series of keyways, the M Series and the X Series. Each series offers a different blend of features. For example the CORMAX Patented Keying System can provide geographic exclusivity to the customer to help you maximize convenience while optimizing your security.



CORMAX™
Patented Keying System

M Series Keyway Features

- Patented keys operate both CORMAX and Standard BEST cores (backward compatibility) with existing BEST keyway (J,K,L,M only). Standard keys do not operate CORMAX cores.
- Available in large bow, long blade, and long nose key blanks to work with special applications.
- Available in core designs for use in special application locks, such as high security mortise, hotel cylinders, and glass display-case locks.
- Utilizes the same combining kits and key cutting equipment as the Standard BEST keyways.
- M Series keys operate CORMAX cores and Standard (non-patented) BEST cores. Standard key blanks do not operate CORMAX cores.

X Series Keyway Features

- Distinctive key design includes thicker key blanks with larger bow for added strength and easier handling.
- Keyways are unique to CORMAX Patented Keying System offering even higher key duplication protection.
- CORMAX keyways utilize the standard combining kit, minimizing the expense of system changeover.
- X Series keys operate CORMAX cores only.

STANLEY

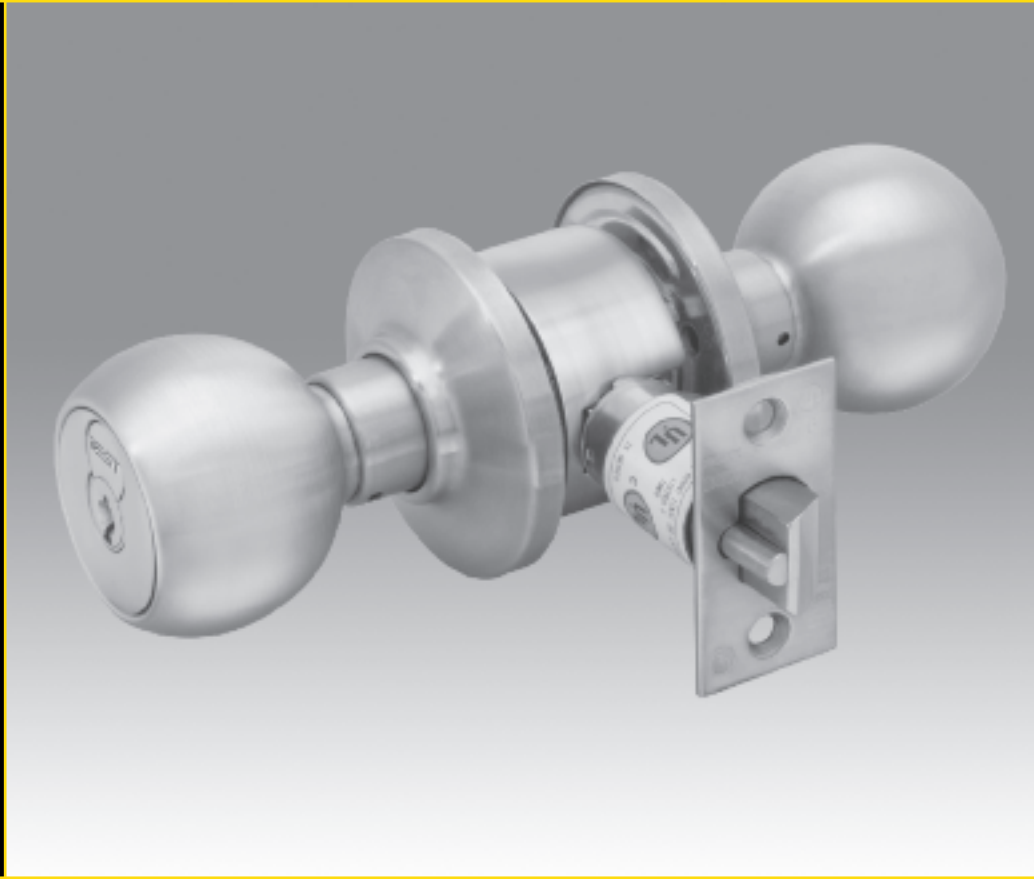
Security Solutions

Stanley Security Solutions, Inc.

6161 E. 75th Street Indianapolis, Indiana 46250
www.stanleysecuritysolutions.com • © 2012 Stanley Security Solutions, Inc.

10M R0712
BAS012

STANLEY[®]
Security Solutions



6K SERIES

MEDIUM DUTY LOCKS - KNOBS



FEATURES

- Quick rekeying by BEST interchangeable core.
- Snap-on inside rose (no exposed mounting screws).
- Threaded outside rose adjustable for door thickness.
- Keyed knob is removable only after removal of core.
- Internal steel mechanisms are corrosion treated for normal atmospheric conditions.
- Lockset reversible for either hand of door without removing keyed knob.
- Listed by Underwriters Laboratories for use on 3 hour, A label single swinging doors (4' x 8'). GYJT Builders Hardware-Single point Locks or Latches.
- ANSI/BHMA LISTED - This product is listed in BHMA Directory of Certified Locks and Latches as conforming to ANSI A156.3, Series 4000, Grade 2. (formerly FF-H-106C Series 160)



6K – #4 Round Knob



6K – #6 Tulip Knob



Products protected by one or more of the following patents:

	U.S.A.		CANADA
4,428,570	4,843,852	4,435,967	1,194,057
5,232,255	5,590,555	5,794,472	1,196,359
D,290,085			Other patents pending

When a heavy duty knob lockset is required, our 8K heavy duty series is recommended.

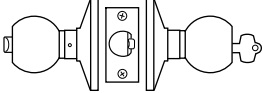
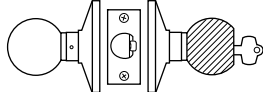
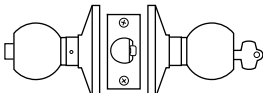


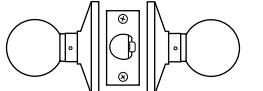
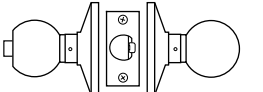
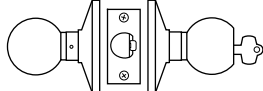
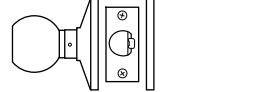


SPECIFICATIONS

- Backset:** 2 3/8" for 62K Series; 2 3/4" for 63K Series; 3 3/4" for 64K Series; 5" for 65K Series.
- Case:** 2 1/16" Dia. cylindrical, for 2 1/8" hole.
- Finish:** Standard finishes are 605, 606, 611, 612, 613, 625, 626. Split finish is available.
- Interchangeable core:** Solid brass, pin-tumbler type in knob with 7-pin core.
- Knobs:** 2" or 2 1/8" Dia. brass or bronze in round or tulip style.
- Latch:** 1/2" throw deadlocking latch. Front: 2 1/4" x 1" x 5/32" Standard for 62K. (Optional for 63K), 2 1/4" x 1 1/8" x 5/32" Standard for 63K (Optional for 62K).
- Lock and latchsets:** Sets consist of latch complete with trim. Type and operation according to set number. Set also includes interchangeable core and two nickel silver keys, keyed to your system.
- Material:** Component parts include brass or bronze. Internal parts are brass or zinc dichromate steel.
- Mounting:** 2 1/8" Dia. bore for lock housing, 1" Dia. or 7/8" Dia. for latch tube.
- Options:** **KNL**– Knurl keyed knob, **L8**– drive in-latch.
- Roses:** **C**– 2 9/16" Dia. **D**– 3 3/8" Dia. Mounting screws concealed.
- Strike:** **STK** (standard)– 2 3/4" x 1 1/8" with curved lip & box (ANSI A115.2 for 1 3/8" doors). **S3**– 4 7/8" x 1 1/4" with curved lip and box (ANSI A115.2 for 1 3/4" doors).
- Thickness of doors:** 1 3/8" to 1 7/8" Standard. If thickness is greater, use our heavy duty locksets for specified door thickness.

HOW TO ORDER

6K	3	7	AB	4	C	STK	626	
Series	Backset	Core Housing	Function Code	Knob Style	Trim Style	Strike Package	Standard Finishes	Options
6K	2 – 2 3/8" 3 – 2 3/4" 4 – 3 3/4" 5 – 5"	0– keyless 7– 7-pin housing accepts all Best cores	AB– entrance D– storeroom L– privacy N– passage R– classroom etc.	4– round 6– tulip	C– 2 9/16" D– 3 3/8"	STK– standard S3– ANSI	605 606 611 612 613 625 626	KNL– knurled knobs (available on #4 & #6 keyed knobs only) L8– drive in-latch (available on 62K & 63K only)



Function & Diag. (ANSI No.)	Description	Outside Knob		Inside Knob	
		Latch operated by	Locked by	Unlocked by	Locked by
Single Keyed					
 <p>AB-Entry F109 (F81xF82)</p>	<ul style="list-style-type: none"> Rotating inside knob, Rotating outside knob only when outside knob unlocked Turning key in outside knob 	<ul style="list-style-type: none"> Pushing the inside button Pushing and turning inside button keeps outside knob locked until the button is turned back 	<ul style="list-style-type: none"> Having button in vertical position and turning key, Turning inside knob Closing door 	Cannot be locked	Always unlocked
 <p>D-Storeroom F86</p>	<ul style="list-style-type: none"> Turning key in outside knob, Rotating inside knob 	Always locked	Cannot be unlocked	Cannot be locked	Always unlocked
 <p>E-Service Station F92</p>	<ul style="list-style-type: none"> Rotating inside knob, Rotating outside knob- only when inside slotted push button is out, Turning key in outside knob 	<ul style="list-style-type: none"> Pushing inside button, Pushing and turning inside slotted button <p>Note: Pushing and turning inside slotted button keeps outside knob locked until button is released</p>	<ul style="list-style-type: none"> Having slot in vertical position and turning key in outside knob, Rotating inside knob, Closing the door, only when button is not turned 	Cannot be locked	Always unlocked
 <p>L-Privacy F76</p>	<ul style="list-style-type: none"> Rotating inside knob, Rotating outside knob only when outside knob is unlocked 	Pushing inside button	<ul style="list-style-type: none"> Turning inside knob, Turning emergency outside slot, Closing door 	Cannot be locked	Always unlocked
 <p>LL-Hospital Privacy</p>	<ul style="list-style-type: none"> Rotating inside knob, Rotating outside knob when unlocked 	Pushing in button on inside knob	<ul style="list-style-type: none"> Rotating inside knob, Closing door, Turning turn button in outside knob 	Cannot be locked	Always unlocked
 <p>N-Passage F75</p>	<ul style="list-style-type: none"> Rotating inside knob, Rotating outside knob 	Cannot be locked	Always unlocked	Cannot be locked	Always unlocked
 <p>P-Patio F77</p>	<ul style="list-style-type: none"> Rotating inside knob, Rotating outside knob when unlocked 	Pushing in button on inside knob	<ul style="list-style-type: none"> Turning inside knob, Closing door 	Cannot be locked	Always unlocked
 <p>R-Classroom F84</p>	<ul style="list-style-type: none"> Rotating inside knob, Turning key in outside knob, when outside knob is locked, Rotating outside knob when not locked by key 	Turning key in outside knob	Turning key in outside knob	Cannot be locked	Always unlocked
 <p>Y-Exit</p>	Rotating the inside knob	No outside knob- Blank rose	No outside knob - Blank rose	Cannot be locked	Always unlocked
 <p>1DT-Single Dummy Trim</p>	This is a single, surface-mounted knob for an inactive or a non-latching door.				
 <p>2DT-Double Dummy Trim</p>	This is a through-bolt mounted pair of matching knobs for an inactive or a non-latching door.				

STRIKES & DOOR PREPARATION

**6KS2 Strike (Supplied Standard)**

Dimension: Conforms to ANSI A115.2 for 1 3/4" doors (2 3/4" x 1 1/8" with curved lip and box).

To order: (with unit) designate "STK".

To order: (without unit) designate 6KS2 and finish.

**6KS3 Strike (ANSI Strike)**

Dimension: Conforms to ANSI 115.2 for 1 3/4" doors (4 7/8" x 1 1/8" with curved lip)

To order with lockset: Designate "S3"

CORMAX™ PATENTED KEYING SYSTEM

BEST® CORMAX™ is the premier patented keying system offered by Stanley Security Solutions. CORMAX will meet your needs for security, key control, and convenience. A simple solution with no compromising allowed.

CORMAX is the upgrade path for existing BEST Standard, Premium, and MX8 customers; and it is an essential element of non-residential access control as security administrators strive to eliminate the unauthorized duplication of keys.

**CORMAX™
Patented Keying System**

CORMAX offers the following features and benefits:

- A long-term US utility patent that guarantees the extended useful life of the system through 2027.
- A second, independent locking mechanism that utilizes a patented set of built-in side pins to provide higher security.
- Several levels of geographical exclusivity, including national exclusivity, are available via the patented side pin feature.
- CORMAX cores and keys are available exclusively through Stanley sales offices. Key blanks are only sold to individuals authorized by the customer to ensure key blanks do not end up in the possession of unauthorized personnel either inside or outside the customer's facility.
- CORMAX cores are certified to meet the security, safety, and reliability requirements of BHMA A156.5 Grade 1.
- Picking and drilling resistance options are available if higher levels of security are desired.
- Complete factory masterkeying service offered, and at no charge with purchase of BEST locksets and PHI exit devices.
- Keyways are organized in families of four keyways each, with double-milled and quad-milled key levels to facilitate the design of masterkey systems in multi-building campuses.
- BEST CORMAX cores are compatible with all existing BEST interchangeable core housings, eliminating the need for new or modified locksets.

STANLEY

Security Solutions

Stanley Security Solutions, Inc.

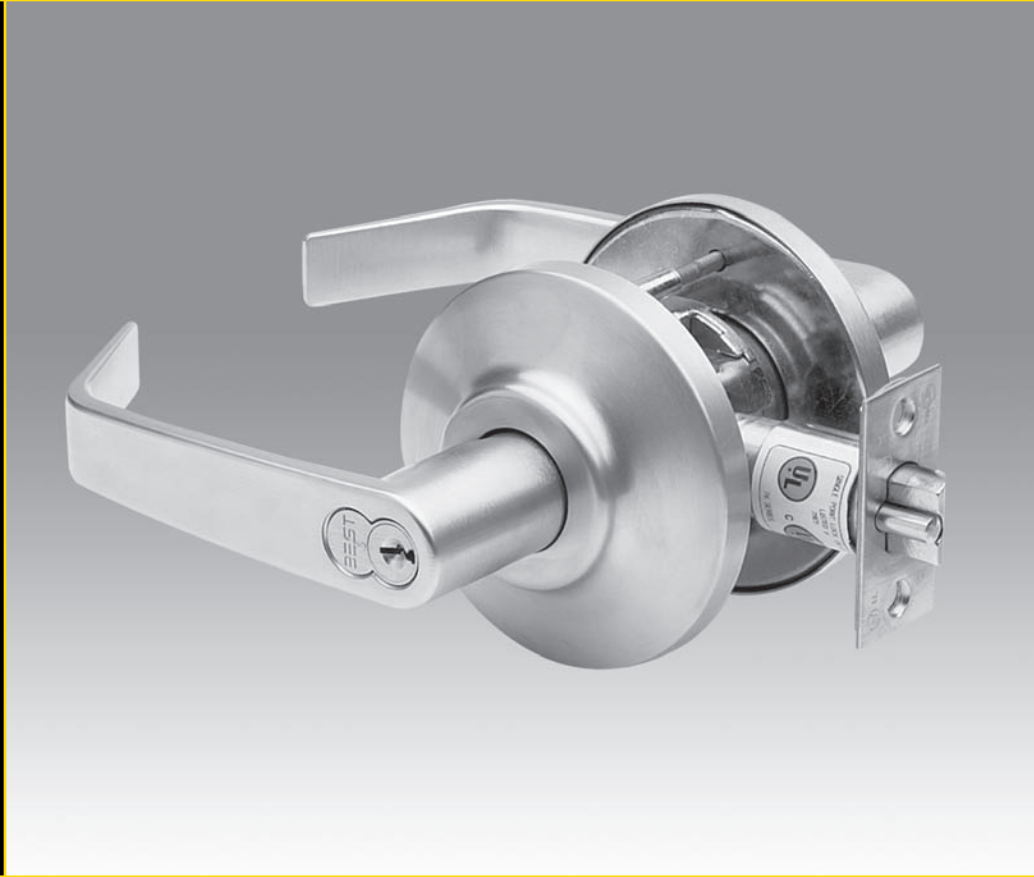
6161 E. 75th Street Indianapolis, Indiana 46250

© 2012 Stanley Security Solutions, Inc. • www.stanleysecuritysolutions.com

10M R0812

BAS011

STANLEY[®]
Security Solutions



7KC SERIES

MEDIUM DUTY LOCKS - LEVERS



MEDIUM DUTY CYLINDRICAL LOCKS – LEVERS

TABLE OF CONTENTS		Page	Page
Features	2	Strikes & Door Preparation	5
Specifications	2	Lever Styles & Trim	6
Functions.....	3	Service Equipment	6
Sample Specifications	4	How To Order	7
Cormax™ Patented Keying System	4	Shipping Weights	7
Deadlocking Latches & Strikes.....	5		

FEATURES



7KC Lockset



Products protected by one or more of the following patents:
4,843,852 D,290,085 4,930,822 5,590,555 5,794,472

- Versatile trims & finishes available.
- Cylindrical chassis to fit common door preparation.
- Standard and Drive-in latches available.
- Through-bolt mounting studs increase torque resistance.
- Quick rekeying with BEST interchangeable core.
- No exposed keeper hole on keyed units for increased security.
- Hub torque spring provides extra resistance to lever sag.
- Snap-on inside rose (no exposed mounting screws).
- Keyed lever is removable only after removal of core.
- Internal steel mechanisms are corrosion treated for normal atmospheric conditions.
- ADA compliance title III.
- Lockset reversible for either hand of door without removing keyed lever.
- Listed by Underwriters Laboratories for use on 3 hour, A label single swinging doors (4' x 8').
- Certification— This product is listed in BHMA Directory of Certified Locks and Latches as conforming to ANSI A156.3, Grade 2. California Administrative Code Title 19 and 24. Illinois Accessibility Standard.

SPECIFICATIONS

Backset— 2 ³/₈" for 72KC Series; 2 ³/₄" for 73KC Series; 3 ³/₄" for 74KC Series; 5" for 75KC Series.

Finishes— **605**— bright brass, **606**— satin brass, **612**— satin bronze, **613**— oxidized satin bronze, oil rubbed, **625**— bright chromium plated, **626**— satin chromium plated

Interchangeable core— Solid brass, pin-tumbler type in lever with 7-pin core. Best Patented Keying System optional.

Latch— ¹/₂" throw deadlocking latch. Front: 2 ¹/₄" x 1 ¹/₈" x ⁵/₃₂" standard for 2 ³/₄" backset; 2 ¹/₄" x 1" x ⁵/₃₂" for 2 ³/₈" backset.

Lever— 5 ¹/₄" long handle with return. Projection on door 2 ¹/₂". Zinc base, plated to match finish.

Material— Component parts include brass, bronze or zinc. Internal parts are zinc dichromate steel.

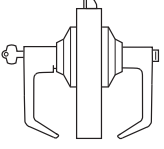
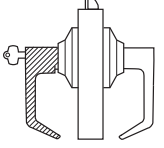
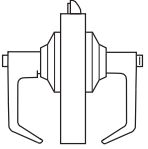
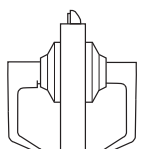
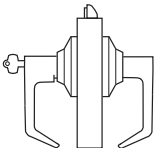
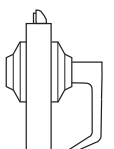
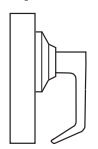
Mounting— 2 ¹/₈" diameter bore for lock housing, 1" diameter for latch tube.

Rose— **D**— 3 ¹/₂" diameter mounting screws concealed.

Strike— **STK** (standard)— 2 ³/₄" x 1 ¹/₈" with curved lip & box. (ANSI A115.2 for 1 ³/₈" doors). **S3**— 4 ⁷/₈" x 1 ¹/₄" with curved lip & box. (ANSI A115.2 for 1 ³/₄" doors).

Door thickness— 1 ³/₈" to 2".

NOTE: When a heavy duty cylindrical lockset is required, our heavy duty 9K series is recommended.

Function & Diag. ANSI No. Grade	Description Latch operated by	Outside Lever		Inside Lever	
		Locked by	Unlocked by	Locked by	Unlocked by
Single Keyed					
AB-Entry  F109-Grade 2	<ul style="list-style-type: none"> Rotating inside lever, Rotating outside lever—only when inside push button is out, Turning key in outside lever 	<ul style="list-style-type: none"> Pushing inside button, Pushing and turning the inside button. Turning the button keeps the outside lever locked until the button is turned back 	<ul style="list-style-type: none"> Turning the key in the outside lever, (only when the button is not turned) Rotating the inside lever (only when the button is not turned) Closing the door (only when the button is not turned) 	Cannot be locked	Always unlocked
D-Storeroom  F86-Grade 2	<ul style="list-style-type: none"> Turning key in the outside lever, Rotating inside lever 	Always locked	Cannot be unlocked	Cannot be locked	Always unlocked
L-Privacy  F76-Grade 2	<ul style="list-style-type: none"> Rotating inside lever, Rotating outside lever—only when inside push button is out 	Pushing inside button	<ul style="list-style-type: none"> Rotating the outside slotted button, Rotating the inside lever, Closing the door 	Cannot be locked	Always unlocked
N-Passage  F75-Grade 2	<ul style="list-style-type: none"> Rotating inside lever, Rotating outside lever 	Cannot be locked	Always unlocked	Cannot be locked	Always unlocked
R-Classroom  F84-Grade 2	<ul style="list-style-type: none"> Rotating inside lever, Turning key in outside lever when outside lever is locked, Rotating outside lever when not locked by key 	Turning key in outside lever	Turning key in outside lever	Cannot be locked	Always unlocked
Y-Exit  Grade 2	Rotating the inside lever	No outside lever-Blank rose	No outside lever-Blank rose	Cannot be locked	Always unlocked
1DT-Single Dummy Trim  Grade 2	This is a single, surface-mounted lever for an inactive door or a non-latching door				

SAMPLE SPECIFICATIONS – ACCEPTABLE MANUFACTURERS**A. Locksets and Latchsets**

Stanley/Best - No Substitution.

1. Locksets must be extra heavy-duty cylindrical type with 2 ³/₄ inch backset, or greater as specified, with a ⁹/₁₆ inch throw latchbolt.
2. Provide locksets with Best 7-pin interchangeable core.
3. Locksets and latchsets must conform to ANSI A156.2, Series 4000, Grade 1, and be UL listed.
4. Locksets and cores to be of the same manufacturer to maintain complete lockset warranty.
5. Locksets must be available with tactile or abrasive lever for identification of hazardous areas.
6. Locks to have solid shank with no opening for access to keyed lever keeper.
7. Keyed lever to be removable only after core is removed, by authorized control key, to allow access to lever "keeper".
8. Permanent core face must be the same finish as the lockset finish.
9. Levers must have a minimum wall thickness of .060.

B. Keys and Keying

- A. Provide construction cores and keys during the construction period. Construction, control and operating keys and cores shall not be part of the Owner's permanent keying system or furnished on the same keyway as the Owner's permanent keying system. Permanent cores and keys prepared according to the accepted keying schedule will be furnished to the Owner by the local Stanley/Best office prior to occupancy. The Owner or Owner's agent will install permanent cores and return the construction cores to the Stanley/Best office.
- B. All cylinders shall be Best 7-pin, interchangeable core and keyed into a [new] [existing] factory registered Grand Master Key System with a restricted keyway.
- C. Permanent keys and cores shall be stamped with the applicable key mark for identification. These visual key control marks or codes will **not** include the actual key cuts. Permanent keys will also be stamped ["Do Not Duplicate".] ["U.S. Gov.-Do Not Duplicate".] [_____].
- D. Grand Masterkeys, Masterkeys and other Security Keys shall be transmitted to the Owner by U.P.S., delivery confirmation requested.
- E. Furnish keys in the following quantities:

1 each	Grand Masterkey	2 each	Masterkeys per set
1 each	Change key per each keyed core	2 each	Construction masterkeys
2 each	Control keys		
- F. Computer key and core control software Stanley/Best Keystone® 600N5 will be provided and registered to the owner by the local Stanley Security Solutions office. The owner will furnish compatible hardware to operate the key and core control program. The Stanley/Best office will provide initial training on computer key and core control as well as on-going support including software updates.

CORMAX™ PATENTED KEYING SYSTEM

BEST® CORMAX™ is the premier patented keying system offered by Stanley Security Solutions. CORMAX will meet your needs for security, key control, and convenience. A simple solution with no compromising allowed.

CORMAX is the upgrade path for existing BEST Standard, Premium, and MX8 customers; and it is an essential element of non-residential access control as security administrators strive to eliminate the unauthorized duplication of keys.



CORMAX™
Patented Keying System

CORMAX offers the following features and benefits:

- A long-term US utility patent that guarantees the extended useful life of the system through 2027.
- A second, independent locking mechanism that utilizes a patented set of built-in side pins to provide higher security.
- Several levels of geographical exclusivity, including national exclusivity, are available via the patented side pin feature.
- CORMAX cores and keys are available exclusively through Stanley sales offices. Key blanks are only sold to individuals authorized by the customer to ensure key blanks do not end up in the possession of unauthorized personnel either inside or outside the customer's facility.
- CORMAX cores are certified to meet the security, safety, and reliability requirements of BHMA A156.5 Grade 1.
- Picking and drilling resistance options are available if higher levels of security are desired.
- Complete factory masterkeying service offered, and at no charge with purchase of BEST locksets and PHI exit devices.
- Keyways are organized in families of four keyways each, with double-milled and quad-milled key levels to facilitate the design of masterkey systems in multi-building campuses.
- BEST CORMAX cores are compatible with all existing BEST interchangeable core housings, eliminating the need for new or modified locksets.

DEADLOCKING LATCHES & STRIKES



72KCL2 Deadlocking Latch

Bolt throw— $\frac{1}{2}$ "
Backset— $2\frac{3}{8}$ "
Front— $2\frac{1}{4}$ " x 1" beveled.
Tube—To fit 1" diameter hole in door edge
To order: (with unit) designate "72KC"
 (Page 7)
To order: (without unit) designate "72KCL2"



73KCL3 Deadlocking Latch

Bolt throw— $\frac{1}{2}$ "
Backset— $2\frac{3}{4}$ "
Front— $2\frac{1}{4}$ " x $1\frac{1}{8}$ " beveled
Tube—To fit 1" diameter hole in door edge
To order: (with unit) designate
 "73KC" (Page 7)
To order: (without unit) designate "73KCL3"



64KL4 Deadlocking Latch

Bolt throw— $\frac{1}{2}$ "
Backset— $3\frac{3}{4}$ "
Front— $2\frac{1}{4}$ " x $1\frac{1}{8}$ " beveled.
Tube—To fit 1" diameter hole in door edge
To order: (with unit) designate "64K"
 (Page 7)
To order: (without unit) designate "64KL4"



65KL5 Deadlocking Latch

Bolt throw— $\frac{1}{2}$ "
Backset— 5"
Front— $2\frac{1}{4}$ " x $1\frac{1}{8}$ " beveled
Tube—To fit 1" diameter hole in door edge
To order: (with unit) designate "65K"
 (Page 7)
To order: (without unit) designate "65KL5"



6KS2 Strike (Supplied Standard)

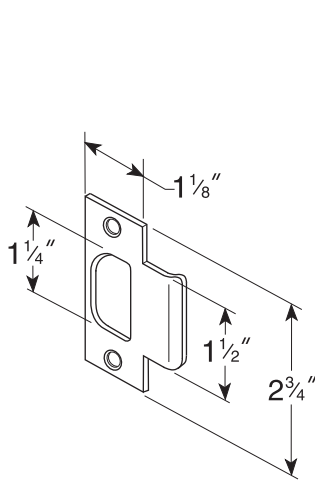
Dimension: Conforms to ANSI A115.2 for
 $1\frac{3}{8}$ " doors ($2\frac{3}{4}$ " x $1\frac{1}{8}$ " with curved lip and
 box).
To order: (with unit) designate "STK" (page 7).
To order: (without unit) designate 6KS2 and
 finish.



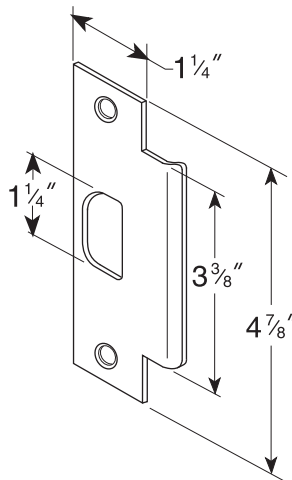
6KS3 Strike (ANSI Strike)

Dimension: Conforms to ANSI A115.2 for
 $1\frac{3}{4}$ " doors ($4\frac{7}{8}$ " x $1\frac{1}{8}$ " with curved lip)
To order: (with unit) designate "S3" (page 7)
To order: (without unit) designate 6KS3 and
 finish

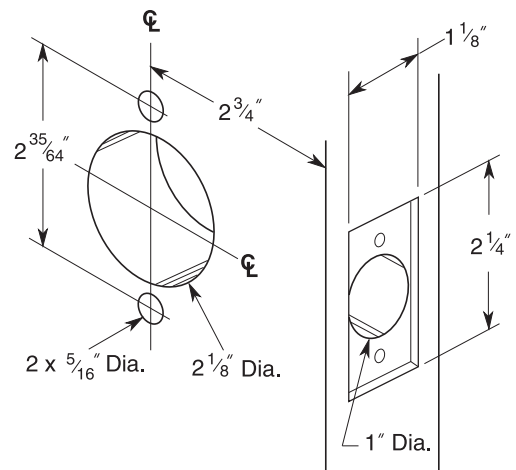
STRIKES & DOOR PREPARATION



**STK strike
(standard)**



S3 strike



**$2\frac{3}{4}$ " door preparation with
through-bolt mountings**

LEVER STYLES & TRIM



#14D ♿



#15D ♿



#16D ♿



#15D Non I/C ♿

CYLINDRICAL LOCKS SERVICE EQUIPMENT

KD304A Boring Jig Kit

The KD304A jig kit is made for boring cut-outs in wooden doors for Fed. Spec. 160 and 161 series cylindrical/tubular locksets, doors 1 3/8" to 2 1/4" thick. The KD304A kit includes the boring jig (to drill wood doors for 2 3/8", 2 3/4", 3 3/4", and 5" backsets), a quick-release adaptor for 3/8" drill chuck, a 2 1/8" bit, and a 1" diameter x 9" bit.

The following kit items can also be purchased separately.

- KD309** – 2 1/8" bit
- KD318** – 1" dia. x 9" bit
- KD319** – 3/8", quick release adaptor

To order complete kits specify:
KD304A Kit



KD304A parts



KD304A with case

KD312 and KD315 Face Plate Marking Chisel
KD325 Strike Plate Location Pin

The KD315 face plate marking chisel (which locates the mortising for the face plate) and the KD325 strike locating pin (which centers the strike for proper installation) and is used for Fed. Spec. 161 cylindrical lockset, (1 1/8" x 2 1/4"), and BEST® series 82T & 83T tubular locks. The KD312 face plate marking chisel is available for Fed. Spec. 160 (1" x 2 1/4") preparation.

- To order specify:**
- KD312**– face plate marking chisel 1" (160)
 - KD315**– face plate marking chisel 1 1/8" (161)
 - KD325**– strike plate locating pin






KD315
(Fed. Spec. 161)



KD325

HOW TO ORDER

73KC	7	AB	15	D	STK	626		
Backset	Core Housing	Function Code	Lever	Trim Style	Strike Package	Standard Finishes	Options	
72KC– 2 ³ / ₈ " 73KC– 2 ³ / ₄ " 74KC– 3 ³ / ₄ " 75KC– 5"	0– keyless 7– 7 pin housing accepts all BEST® cores	AB– entrance D– storeroom L– privacy N– passage R– classroom Y– exit 1DT– dummy trim	14– curved return 15– contour angle return 16– curved no return	  	D– 3 ¹ / ₂ "	STK–standard S3–ANSI	605 606 612 613 625 626	L8*– drive-in latch SCH**– non-IC schlage

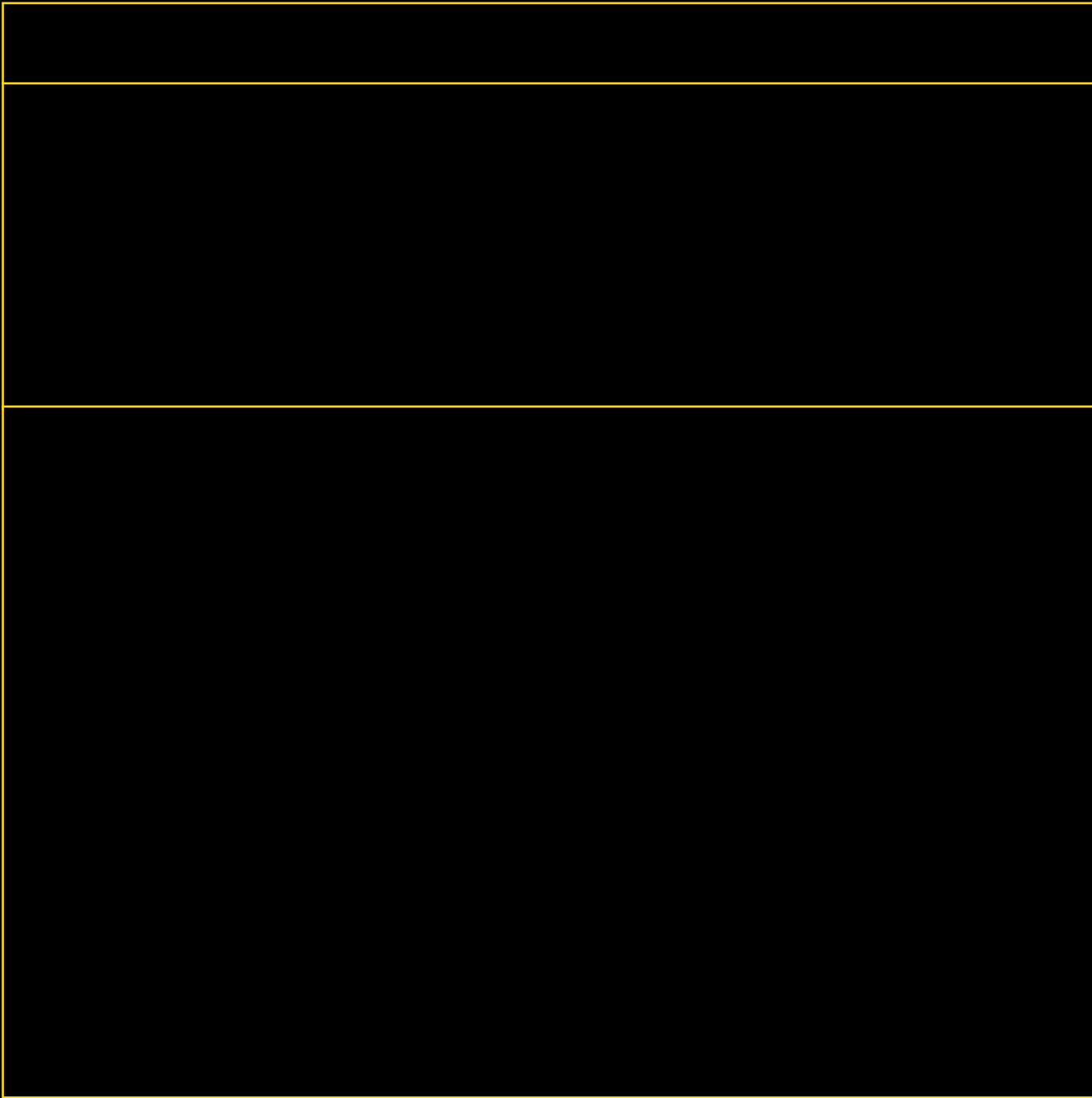
* Available on 2³/₈" and 2³/₄" backsets only.

** Available in #15 lever only. Cylinder not included.

SHIPPING WEIGHTS

The chart is the approximate shipping weight for the standard 7KC functions locksets. This weight includes the weight of the lockset with the "#15" style lever, "D" style rose, latch, strike package, and box. Listed separately are the approximate weights for "with core" and "less core" shipments.

LOCK FUNCTION NOMENCLATURE	CASE QUANTITY	SHIPPING WEIGHT-WITH CORE	SHIPPING WEIGHT-LESS CORE
Y	9		31 lbs.
N	9		40 lbs.
L	9		40 lbs.
AB,D,,R,	9	42lbs.	40 lbs.



For more information on Stanley Security Solutions' products, services, and office locations visit our web site at www.stanleysecuritysolutions.com

Product information contained in this catalog has been compiled and presented with as much care and completeness as is reasonably possible. Errors or mistakes may be present, and in many cases, reliance has been placed on information supplied by other manufacturers which may be in error or which may be subject to changes or modifications by the manufacturer without notice and without obligation. Therefore, no guarantee can be made or should be assumed or implied with regards to product information contained in this catalog.



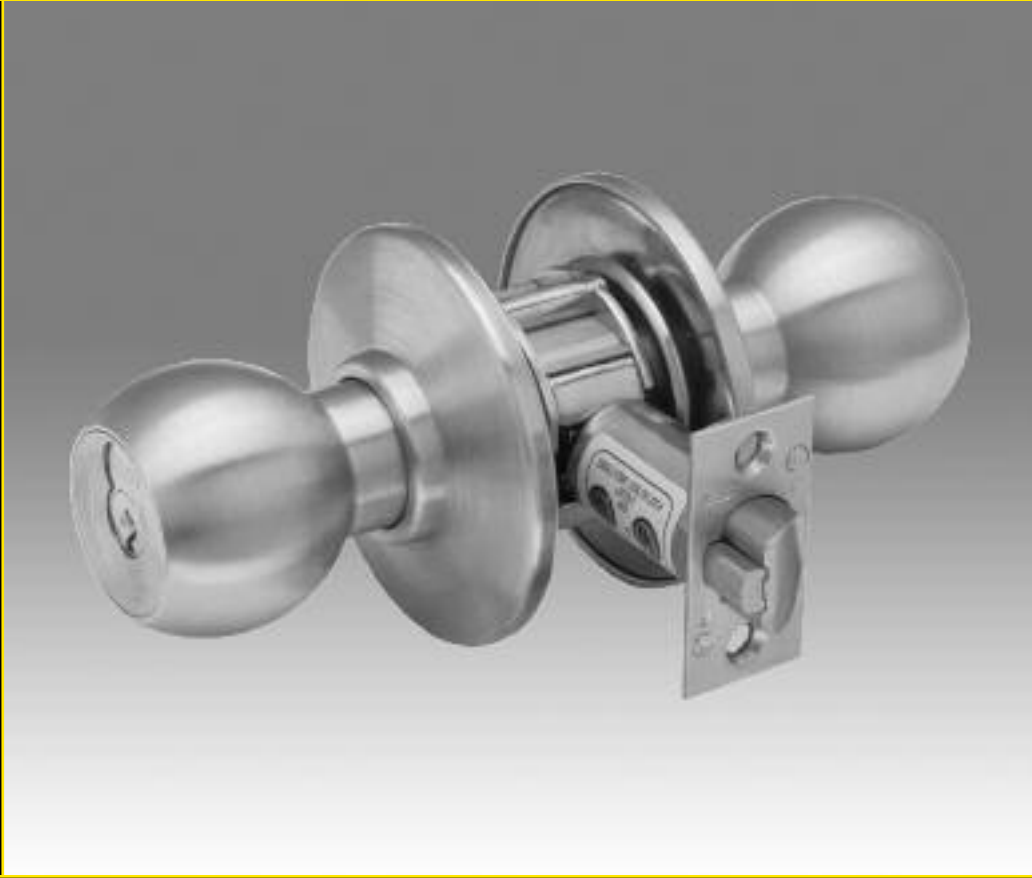
Stanley Security Solutions, Inc.

6161 E. 75th Street Indianapolis, Indiana 46250

© 2011 Stanley Security Solutions, Inc. • www.stanleysecuritysolutions.com

10M 0411
BAS010

STANLEY[®]
Security Solutions



8K SERIES

HEAVY DUTY LOCKS-KNOBS



TABLE OF CONTENTS		Page	Page	
Certification		2	Strikes/Door Preparation	5
Features		2	Sample Specifications.....	6
Patents		2	Shipping Weights	6
Specifications		3	Patented Keying	7
Trim Variations.....		3	How To Order	7
Special Features.....		4	Functions	8-11
Deadlocking Latches		5	Service Equipment.....	12

CERTIFICATION



8K Heavy Duty Cylindrical

The 8K Cylindrical Lock meets or exceeds the following standards:

Certification

ANSI A156.2 Series 4000, Grade 1 as certified in Builder Hardware Manufacturers Association directory as complying with this standard. (Formerly FF-H-00106C Series 161.)

Underwriters Laboratories

Listed by Underwriters Laboratories for use on 3 hour, A label single swinging doors. GYJT Builders Hardware-Single point locks or latches.



FEATURES

- Quick, economical rekeying with the BEST® interchangeable core.
- Knobs machined from brass or bronze bar stock.*
- Rotating knob face provides for easy hand of door change without removing the knob.
- No keeper hole on keyed knobs for added security.
- Keyed knob removable only after the core is removed.
- The tactile or knurled knob feature designed for blind, safety and accessibility applications.
- Friction insert inside rose resists loosening.
- The optional breakaway feature prevents the lockset from being overpowered by a wrench.
- 9/16" throw, deadlocking latch.
- Spin free knob feature permits the lock to be operated only by use of a key.
- Steel retractor with low friction bearings for smooth, wear resistant operation.
- Long bearing length in chassis for smooth, wear resistant operation.

* All knob styles feature solid extruded knob material.

PATENTS

Products covered by one or more of the following patents:

U.S.		CANADA	
4,843,852	4,424,691	D289,369	1,179,855
4,262,507	4,428,212	D290,085	1,184,773
4,312,201	4,428,570	4,318,558	1,184,774
4,779,908	4,342,478	4,444,034	1,194,057
4,435,967	4,496,178	4,394,821	
4,550,581	4,655,059	5,590,555	
		5,794,472	



SPECIFICATIONS

Materials: Internal parts are brass or corrosion-treated steel.

Chassis: 2 1/16" diameter to fit 2 1/8" hole in door.

Backset: 2 3/4" standard, 3 3/4" and 5" available.

Latch: 5/16" throw. Front 2 1/4 x 1 1/8" beveled. Latch housing fits 1" hole in edge of door.

Knobs: Diameter– 2 1/8"; Projection from door– 2 7/8" #4, #6 Knob Material - Machined from solid brass or bronze.

Roses: All roses are brass or bronze reinforced with steel liner. Roses are threaded to chassis. "A"– round, 3 3/8" diameter; "C"– round, 2 3/16" diameter; "D"– convex round, 3 3/8" diameter "E"– special trim for 2 1/8" to 3" thick doors

Door Thickness: Adjustable from 1 3/8" to 2" standard. Special "E" trim for 2 1/8" to 3" doors available. The "B" style square trim is for doors 1 3/4" to 2" only.

Strike: (STK) – 2 3/4" x 1 1/8" with curved lip and box standard (ANSI A115.3)

(S3) – 4 3/8" x 1 1/4" with curved lip and box available (ANSI A115.2)

(S3-7/8) – Conforms to ANSI A115.2 for 1 3/4" doors. (4 7/8" x 1 1/8" flat)

Latch & Strike Screws:

(STK) Strike Package – (1) 2 3/4" Strike plate, (4) #8-32 / #8-16 x 3/4" Phillips flat head screws.

8KS3 Strike Package – (1) 4 7/8" Strike plate, (2) #8-32 / #8-16 x 3/4" Phillips flat head screws, (2) #12-24 / #12-12 x 3/4" Phillips flat head screws. Security head machine screws and driver can be ordered for added security.

Finish: 605– bright brass, clear coated; 606– satin brass, clear coated; 611– bright bronze, clear coated; 612– satin bronze, clear coated; 613– oxidized satin bronze, oil rubbed; 625– bright chromium plated; 626– satin chromium plated; 690– dark bronze coated

TRIM VARIATIONS



Knob-4 Rose-A



Knob-4 Rose-C



Knob-4 Rose-D



Knob-6 Rose-A



Knob-6 Rose-C



Knob-6 Rose-D

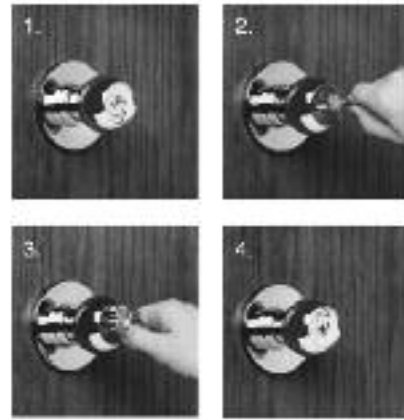
SPECIAL FEATURES



Breakaway Feature

When excessive force (approx. 300 inch lbs.) is applied to #4, #6 keyed knobs, they “breakaway” and spin freely, thus allowing entrance only by key. Simple part replacement returns lock to functional usage.

To order: Designate “BRK” on options of “How to Order” (page 5).



Reversible Knob Face

1. Core is upside down (wrong side)
2. Partially remove core with Control Key.
3. Rotate knob face 180 degrees.
4. Reinsert core with “BEST” in up position.

The lockset is easily reversible for either hand of the door without removing the keyed knob.



Knurled Feature

This feature is available only on #6 knob only. The knurling is machined into the outer edge of the knob. The knurled feature can be used for blind, safety or accessibility applications.

To order: Designate “KNL” on options of “How to Order” (page 5).



Spin Free Feature

This unique feature is for #4, #6 knobs and is standard on H and HJ functions and optional on D and W. The spin free feature allows the outside knob to spin freely at all times while the core and knob face remain stationary, thus permitting the lock to be operated only by use of a key.

To order: Designate “SPN” on options of “How to Order” (page 5).



Lead Lined Feature

Lead lined can be used to protect against X-rays. Since the majority of lead lined doors contain the lead in the surface of the door, the 8K lockset provides lead lining for the holes cut in the door when preparing the door for the trim. A 3/16” lead slug is installed in the knob face.

To order: Designate “LL” on options of “How to Order” (page 5).



Tactile Feature

Grooves are machined into the #4 and #6 solid brass or bronze knobs, to improve grip, or can be used as a warning in hazardous areas. This option can be used for blind, safety or accessibility applications.

To order: Designate “TAC” on options of “How to Order” (page 5).

DEADLOCKING LATCHES



8KL3 Deadlocking Latch

Bolt throw – $\frac{9}{16}$ "

Backset – $2\frac{3}{4}$ "

Front – $2\frac{1}{4}$ " x $1\frac{1}{8}$ " beveled.

Tube – To fit 1" diameter hole in door edge.

To order: (with unit) designate "8K3" on how to order (page 3).

To order: (without unit) designate "8KL3-SL" (Spring Latch) or DL (Deadlocking Latch) and finish.



8KL4 Deadlocking Latch

Bolt throw – $\frac{9}{16}$ "

Backset – $3\frac{3}{4}$ "

Front – $2\frac{1}{4}$ " x $1\frac{1}{8}$ " beveled.

Tube – To fit 1" diameter hole in door edge.

To order: (with unit) designate "8K4" on how to order (page 3).

To order: (without unit) designate "8KL4-SL" (Spring Latch) or DL (Deadlocking Latch) and finish.



8KL5 Deadlocking Latch

Bolt throw – $\frac{9}{16}$ "

Backset – 5"

Front – $2\frac{1}{4}$ " x $1\frac{1}{8}$ " beveled.

Tube – To fit 1" diameter hole in door edge.

To order: (with unit) designate "8K5" on how to order (page 3).

To order: (without unit) designate "8KL5-SL" (Spring Latch) or DL (Deadlocking Latch) and finish.

STRIKES



8KS3-7/8 Flat Strike

Dimension: Conforms to ANSI A115.2 for $1\frac{3}{4}$ " doors ($4\frac{7}{8}$ " x $1\frac{7}{8}$ " flat)

To order: (with unit) designate "S3-7/8" on how to order (page 3).

To order: (without unit) designate 8KS3-7/8 and finish.



8KS3 Strike

Dimension: Conforms to ANSI A115.2 for $1\frac{3}{4}$ " doors ($4\frac{7}{8}$ " x $1\frac{1}{8}$ " with curved lip).

To order: (with unit) designate "S3" on how to order (page 3).

To order: (without unit) designate 8KS3 and finish.

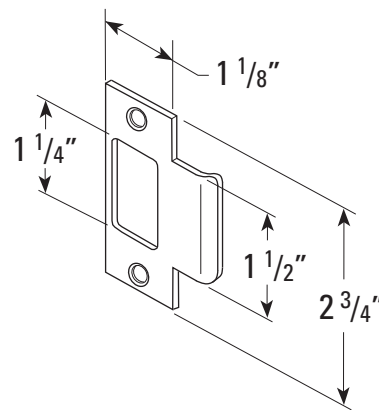
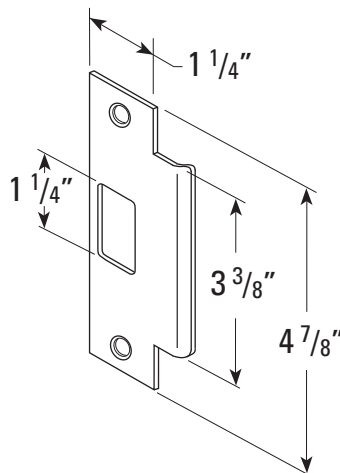
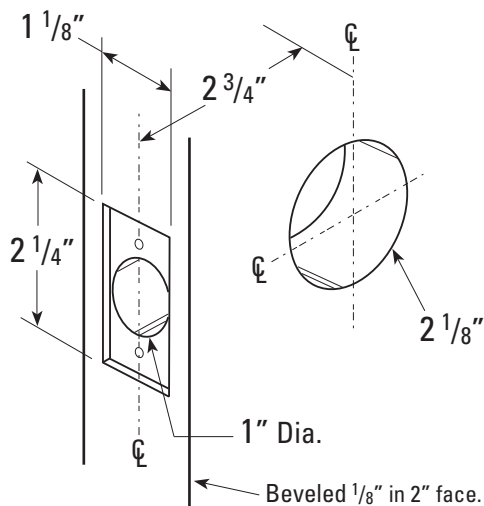


8KS2 Strike (Supplied Standard)

Dimension: Conforms to ANSI A115.2 for $1\frac{3}{8}$ " doors ($2\frac{3}{4}$ " x $1\frac{1}{8}$ " with curved lip and box).

To order: (with unit) designate "STK" on how to order (page 3).

To order: (without unit) designate 8KS2 and finish.



DOOR PREPARATION

SAMPLE SPECIFICATIONS – ACCEPTABLE MANUFACTURERS**A. Locksets and Latchsets**

Stanley/Best - No Substitution.

1. Locksets must be extra heavy-duty cylindrical type with 2 3/4 inch backset, or greater as specified, with a 9/16 inch throw latchbolt.
2. Provide locksets with BEST® 7-pin interchangeable core.
3. Locksets and latchsets must conform to ANSI A156.2, Series 4000, Grade 1, and be UL listed.
4. Locksets and cores to be of the same manufacturer to maintain complete lockset warranty.
5. Locksets must be available with tactile or abrasive lever for identification of hazardous areas.
6. Locks to have solid shank with no opening for access to keyed lever keeper.
7. Keyed lever to be removable only after core is removed, by authorized control key, to allow access to lever "keeper".
8. Permanent core face must be the same finish as the lockset finish.
9. Levers must have a minimum wall thickness of .060.

B. Keys and Keying

A. Provide construction cores and keys during the construction period. Construction, control and operating keys and cores shall not be part of the Owner's permanent keying system or furnished on the same keyway as the Owner's permanent keying system. Permanent cores and keys prepared according to the accepted keying schedule will be furnished to the Owner by the local Stanley/Best office prior to occupancy. The Owner or Owner's agent will install permanent cores and return the construction cores to the Stanley/Best office.

B. All cylinders shall be Best 7-pin, interchangeable core and keyed into a [new] [existing] factory registered Grand Master Key System with a restricted keyway.

C. Permanent keys and cores shall be stamped with the applicable key mark for identification. These visual key control marks or codes will *not* include the actual key cuts. Permanent keys will also be stamped ["Do Not Duplicate".] ["U.S. Gov.-Do Not Duplicate".] [_____].

D. Grand Masterkeys, Masterkeys and other Security Keys shall be transmitted to the Owner by U.P.S., delivery confirmation requested.

E. Furnish keys in the following quantities:

1 each	Grand Masterkey	2 each	Construction masterkeys
2 each	Masterkeys per set	2 each	Control keys
1 each	Change key per each keyed core		

F. Computer key and core control software Stanley/Best Keystone® 600N5 will be provided and registered to the owner by the local Stanley Security Solutions office. The owner will furnish compatible hardware to operate the key and core control program. The Stanley/Best office will provide initial training on computer key and core control as well as on-going support including software updates.

SHIPPING WEIGHTS

The chart below gives the approximate shipping weight for standard functions of 8K lockset. This weight includes the weight of the lockset with the #4 style knob, "A" style rose, latch, strike package, and box. Listed separately are the approximate weights for "with core" and "less core" shipments.

Lock Function Nomenclature	Case Quantity	Shipping Weight With core	Shipping Weight Less Core
Y	12	36 lbs	36 lbs.
N	12	44 lbs.	44 lbs.
L,P	12	47 lbs.	47 lbs.
AB,D,E,H,HJ,R,T	12	49 lbs.	47 lbs.
C,G,S,W	12	55 lbs.	51 lbs.

CORMAX™ PATENTED KEYING SYSTEM

BEST® CORMAX™ is the premier patented keying system offered by Stanley Security Solutions. CORMAX will meet your needs for security, key control, and convenience. A simple solution with no compromising allowed.



CORMAX™
Patented Keying System

CORMAX is the upgrade path for existing BEST Standard, Premium, and MX8 customers; and it is an essential element of non-residential access control as security administrators strive to eliminate the unauthorized duplication of keys.

CORMAX offers the following features and benefits:

- A long-term US utility patent that guarantees the extended useful life of the system through 2027.
- A second, independent locking mechanism that utilizes a patented set of built-in side pins to provide higher security.
- Several levels of geographical exclusivity, including national exclusivity, are available via the patented side pin feature.
- CORMAX cores and keys are available exclusively through Stanley sales offices. Key blanks are only sold to individuals authorized by the customer to ensure key blanks do not end up in the possession of unauthorized personnel either inside or outside the customer's facility.
- CORMAX cores are certified to meet the security, safety, and reliability requirements of BHMA A156.5 Grade 1.
- Picking and drilling resistance options are available if higher levels of security are desired.
- Complete factory masterkeying service offered, and at no charge with purchase of BEST locksets and PHI exit devices.
- Keyways are organized in families of four keyways each, with double-milled and quad-milled key levels to facilitate the design of masterkey systems in multi-building campuses.
- BEST CORMAX cores are compatible with all existing BEST interchangeable core housings, eliminating the need for new or modified locksets.

HOW TO ORDER

8K	3	7	AB	4	A	STK	626	**
Series	Backset	Core Housing	Function Code	Knob Style	Rose Style	Strike Package	Finishes	Options
8K	3 – 2 3/4" 4 – 3 3/4" 5 – 5"	0– keyless 7– 7-pin housing accepts all BEST® cores see pages 8–11	AB– entrance D– storeroom L– privacy N– passage R– classroom etc. see page 3	4– round 6– tulip see page 3	A– 3 3/8" C– 2 9/16" D– convex E– thick (not shown) see page 5	STK– standard S3– ANSI S3– 7/8" flat strike	605 606 611 612 613 625 626 690 split finish is available	BRK – breakaway (#4, #6) KNL – knurled (#6 knob) LL – lead lined SH – security head screws SPN– spin free (D&W function)(#4, #6 knobs) TAC – tactile knob (#4, #6) Note: specify inside (I), outside (O), or both (B) for KNL, TAC options 3/4 – 3/4" throw latch see page 4

** Must specify key mark and number of keys or designate L/C for less core.

83K Door Preparation

8KS3 Strike (ANSI)

8KS2 Strike (Standard)

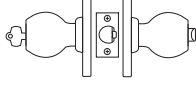
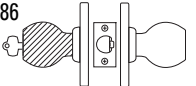
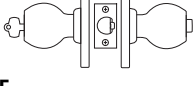
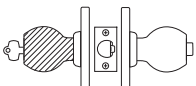
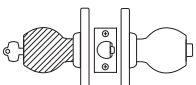
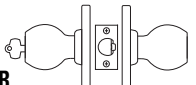
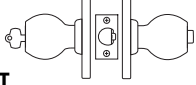
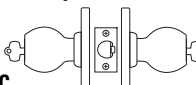
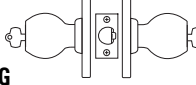
LOCKS - KNOBS



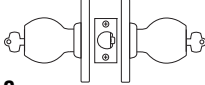
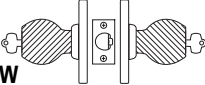
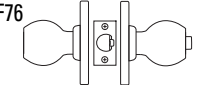
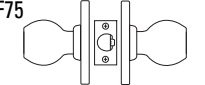
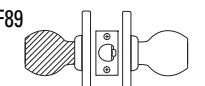


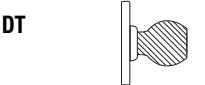
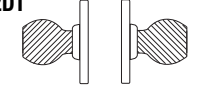
CORMAX™ PATENTED KEYING SYSTEM

HOW TO ORDER

FUNCTIONS

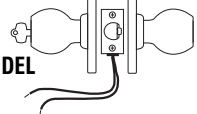
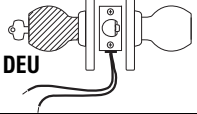
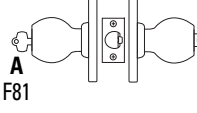
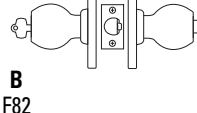
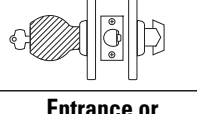
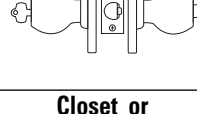
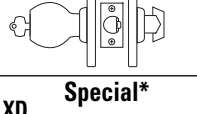
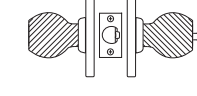
Function & Diag.		Description		Outside Knob		Inside Knob	
ANSI No.	Latch operated by	Locked by	Unlocked by	Locked by	Unlocked by	Locked by	Unlocked by
Single Keyed							
Entrance  AB F109(F81x F82)	<ul style="list-style-type: none"> Rotating the inside knob, Rotating the outside knob only when the inside push button is out Turning the outside key 	<ul style="list-style-type: none"> Pushing the inside button, Pushing and turning the inside button (Turning the button keeps the outside knob locked until button is turned back and released) 	<ul style="list-style-type: none"> Turning the key in the outside knob, Rotating the inside knob, Closing the door– (only when the button is not turned, this applies for each operation) 	Cannot be locked	Always unlocked		
Storeroom  D F86	<ul style="list-style-type: none"> Turning the key in the outside knob, Rotating the inside knob 	Always locked	Cannot be unlocked	Cannot be locked	Always unlocked		
Service Station  E F92	<ul style="list-style-type: none"> Rotating the inside knob, Rotating the outside knob only when the inside slotted push button is out Turning the key in the outside knob 	<ul style="list-style-type: none"> Pushing the inside button, Pushing and turning the inside slotted button (Turning the button keeps the outside knob locked until button is turned back and released) 	<ul style="list-style-type: none"> Turning the key in the outside knob, Rotating the inside knob, Closing the door–(only when the button is not turned, this applies for each operation) 	Cannot be locked	Always unlocked		
Hotel Guest Room  H F93	<ul style="list-style-type: none"> Rotating the inside knob, Turning the key in the outside knob- only when the inside push button is out, Removing the core with a control key and using a special emergency key 	Always locked	<ul style="list-style-type: none"> Key block feature is released by: Rotating the inside knob, Closing the door Removing the core with a control key and using a special emergency key 	Cannot be locked	Always unlocked		
NOTE: Pushing the inside button projects an “occupied” indicator in the outside knob and blocks all operating keys.							
Hotel Guest Room  HJ	<ul style="list-style-type: none"> Rotating the inside knob, Turning the key in the outside knob- only when the inside push button is out, Removing the core with a control key and using a special emergency key 	Always locked	<ul style="list-style-type: none"> Key block feature is released by: Rotating the inside knob, Closing the door 	Cannot be locked	Always unlocked		
NOTE: Pushing the inside button blocks all operating keys, but no “occupied” indicator is projected.							
Classroom  R F84	<ul style="list-style-type: none"> Rotating the inside knob, Turning the key in the outside knob, Rotating the outside knob when not locked by key 	<ul style="list-style-type: none"> Turning the key in the outside knob 	<ul style="list-style-type: none"> Turning the key in the outside knob 	Cannot be locked	Always unlocked		
Dormitory  T F90	<ul style="list-style-type: none"> Rotating the inside knob, Rotating the outside knob when not locked by key or push button 	<ul style="list-style-type: none"> Turning the key in the outside knob, Pushing the button on the inside knob 	<ul style="list-style-type: none"> Turning the key in the outside knob, Rotating the inside knob (only when locked by push button), Closing the door (only when locked by push button) 	Cannot be locked	Always unlocked		
Double Keyed*							
Apartment*  C F88	<ul style="list-style-type: none"> Rotating the inside knob, Rotating the outside knob when not locked by inside key, Turning the key in the outside knob 	<ul style="list-style-type: none"> Turning the key in the inside knob 	<ul style="list-style-type: none"> Turning the key in the inside knob 	Cannot be locked	Always unlocked		
Store lock*  G F91	<ul style="list-style-type: none"> Rotating the outside knob when not locked by key Rotating the inside knob when not locked by key 	<ul style="list-style-type: none"> Turning the key in the inside knob, Turning the key in the outside knob 	<ul style="list-style-type: none"> Turning the key in the inside knob, Turning the key in the outside knob 	<ul style="list-style-type: none"> Turning the key in the inside knob, Turning the key in the outside knob 	<ul style="list-style-type: none"> Turning the key in the inside knob, Turning the key in the outside knob 	<ul style="list-style-type: none"> Turning the key in the inside knob, Turning the key in the outside knob 	<ul style="list-style-type: none"> Turning the key in the inside knob, Turning the key in the outside knob
NOTE: Turning the key in either the inside <u>OR</u> the outside, locks or unlocks both sides							

***ATTENTION:** Locksets that secure both sides of the door are controlled by building codes and the Life Safety Code. In an emergency exit situation, failure to quickly unlock the inside knob could be hazardous or even fatal.

Function & Diag. ANSI No.	Description	Outside Knob		Inside Knob	
		Latched by	Locked by	Unlocked by	Locked by
Communicating *  S F80	<ul style="list-style-type: none"> Turning the key in the inside knob, Turning the key in the outside knob, Rotating the inside or outside knob (if unlocked) 	Turning the key in the outside knob	Turning the key in the outside knob	Turning the key in the inside knob	Turning the key in the inside knob
NOTE: Turning the key in either knob, locks or unlocks its own knob independently.					
Institutional *  W F87	<ul style="list-style-type: none"> Turning the key in the inside knob, Turning the key in the outside knob 	Always locked	Cannot be unlocked	Always locked	Cannot be unlocked
Keyless					
L Privacy  F76	<ul style="list-style-type: none"> Rotating the inside knob, Rotating the outside knob only when the inside push button is out 	Pushing the inside button	<ul style="list-style-type: none"> Rotating the outside slotted button, Rotating the inside knob, Closing the door 	Cannot be locked	Always unlocked
N Passage  F75	<ul style="list-style-type: none"> Rotating the inside knob, Rotating the outside knob 	Cannot be locked	Always unlocked	Cannot be locked	Always unlocked
NX Exit  F89	<ul style="list-style-type: none"> Turning the inside knob 	Always locked	Cannot be unlocked	Cannot be locked	Always unlocked
P Patio  F77	<ul style="list-style-type: none"> Rotating the inside knob, Rotating the outside knob only when the inside push button is out 	<ul style="list-style-type: none"> Pushing the inside button Closing the door 	<ul style="list-style-type: none"> Rotating the inside knob 	Cannot be locked	Always unlocked
Y Exit  Y	<ul style="list-style-type: none"> Rotating the inside knob 		Cannot be locked	Always unlocked	
Single Dummy Trim  1DT	This is a single, surface-mounted knob for an inactive door or a non-latching door				
Double Dummy Trim  2DT	This is a through-bolt mounted pair of matching knobs for an inactive door or a non-latching door				

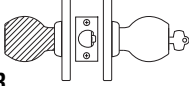
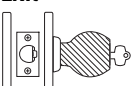
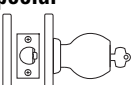
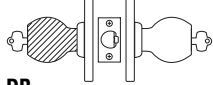
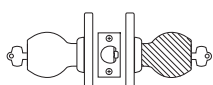
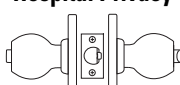
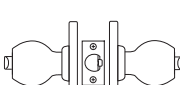
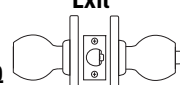
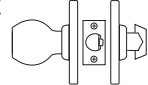
***ATTENTION:** Locksets that secure both sides of the door are controlled by building codes and the Life Safety Code. In an emergency exit situation, failure to quickly unlock the inside knob could be hazardous or even fatal.

SPECIAL FUNCTIONS

Function & Diag.	Description	Outside Knob		Inside Knob	
ANSI No.	Latch operated by	Locked by	Unlocked by	Locked by	Unlocked by
Electrified					
Electrically Locked  DEL	<ul style="list-style-type: none"> Rotating the inside knob, Rotating the outside knob only when power is off, Turning the key in the outside knob 	Applying 24 Volts DC; the outside knob remains locked only while power is on	Switching off 24 Volts DC	Cannot be locked	Always unlocked
NOTE: Locks are powered by 24 Volts DC and 0.18 Amps, continuous duty.					
Electrically Unlocked  DEU	<ul style="list-style-type: none"> Rotating the inside knob, Rotating the outside knob only when power is on, Turning the key in the outside knob 	Switching off 24 Volts DC	Applying 24 Volts DC; the outside knob remains unlocked only while power is on	Cannot be locked	Always unlocked
NOTE: Locks are powered by 24 Volts DC and 0.18 Amps, continuous duty.					
Special functions					
Dormitory or Storeroom  A F81	<ul style="list-style-type: none"> Rotating the inside knob, Rotating the outside knob only when inside turn button is in unlocked position, Turning the key in the outside knob 	Turning the inside button	Turning the inside button	Cannot be locked	Always unlocked
NOTE: Turn button must be manually rotated to unlock the outside knob.					
Office  B F82	<ul style="list-style-type: none"> Rotating the inside knob, Rotating the outside knob only when inside push button is out, Turning the key in the outside knob 	<ul style="list-style-type: none"> Pushing the inside button outside knob, Rotating the inside knob 	Turning the key in the	Cannot be locked	Always unlocked
NOTE: Push button is released by turning the key in the outside knob, OR rotating the inside knob. Closing the door does not release the push button.					
Closet or Storeroom  DZ	<ul style="list-style-type: none"> Turning the key in the outside knob, Turning the inside closet turn knob 	Always locked	Cannot be unlocked	Closet turn knob cannot be locked	Closet turn knob always unlocked
Entrance or Office  EA	<ul style="list-style-type: none"> Rotating the inside knob, Rotating the outside knob only when inside push button is out, Turning the key in the outside knob 	<ul style="list-style-type: none"> Pushing inside button, Pushing and turning the inside button (Turning slotted button keeps the outside knob locked until the button is turned back) 	<ul style="list-style-type: none"> Turning the key in the outside knob*, Rotating the inside knob*, Closing the door* 	Cannot be locked	Always unlocked
*Only when slotted button depressed and not turned.					
Closet or Storeroom  RZ	<ul style="list-style-type: none"> Turning the key in the outside knob, Turning the inside closet turn knob, Turning the outside knob when unlocked by key 	Turning the key in the outside knob	Turning the key in the outside knob	Closet turn knob cannot be locked	Closet turn knob always unlocked
Special*  XD	<ul style="list-style-type: none"> Turning the key in the inside knob 	Always locked	Cannot be unlocked	Always locked	Cannot be unlocked

***ATTENTION:** Locksets that secure both sides of the door are controlled by building codes and the Life Safety Code. In an emergency exit situation, failure to quickly unlock the inside knob could be hazardous or even fatal.

SPECIAL FUNCTIONS

Function & Diag. ANSI No.	Description Latch operated by	Outside Knob		Inside Knob	
		Locked by	Unlocked by	Locked by	Unlocked by
Special functions					
Special*  XR	<ul style="list-style-type: none"> Turning the key in the inside knob, Rotating the inside knob when not locked by key 	Always locked	Cannot be unlocked	Turning the key in the inside knob	Turning the key in the inside knob
Exit*  YD	<ul style="list-style-type: none"> Turning the key in the inside knob 	N/A	N/A	Always unlocked	Cannot be unlocked
Special*  YR	<ul style="list-style-type: none"> Turning the key in the inside knob, Rotating the inside knob when not locked by key 	N/A	N/A	Turning the key in the inside knob	Turning the key in the inside knob
Special *  DR	<ul style="list-style-type: none"> Rotating the inside knob when unlocked by inside key, Turning the key in the outside knob, Turning the key in the inside knob 	Always locked	Cannot be unlocked	Turning the key in the inside knob	Turning the key in the inside knob
Special *  RD	<ul style="list-style-type: none"> Rotating the outside knob when unlocked by outside key, Turning the key in the outside knob, Turning the key in the inside knob 	Turning the key in the outside knob	Turning the key in the outside knob	Always locked	Cannot be unlocked
Hospital Privacy  LL	<ul style="list-style-type: none"> Rotating the inside knob, Rotating the outside knob only when the inside push button is out 	Pushing the inside push button	<ul style="list-style-type: none"> Turning the turn button in the outside knob, Rotating the inside knob, Closing the door 	Cannot be locked	Always unlocked
Communicating*  M F78	<ul style="list-style-type: none"> Rotating the inside knob only when the outside turn button is in the unlocked position, Rotating the outside knob only when inside turn button is in the unlocked position 	Turning the inside turn button	Turning the inside turn button	Turning the outside turn button	Turning the outside turn button
NOTE: Do not use this function for rooms that have no other entrance.					
Exit  Q F83	<ul style="list-style-type: none"> Rotating the inside knob, Rotating the outside knob only when the inside turn button is in the unlocked position 	Turning the inside turn button	Turning the inside turn button	Cannot be locked	Always unlocked
Closet  Z	<ul style="list-style-type: none"> Rotating the outside knob, Turning the inside closet turn knob 	Cannot be locked	Always unlocked	Closet turn knob cannot be locked	Closet turn knob is always unlocked

***ATTENTION:** Locksets that secure both sides of the door are controlled by building codes and the Life Safety Code. In an emergency exit situation, failure to quickly unlock the inside knob could be hazardous or even fatal.

SERVICE EQUIPMENT

KD304A Boring Jig Kit

The KD304A jig kit is made for boring cut-outs in wooden doors for Fed. Spec. 160 and 161 series cylindrical/tubular locksets, doors 1 3/8" to 2 1/4" thick. The KD304A kit includes the boring jig (to drill wood doors for 2 3/8", 2 3/4", 3 3/4", and 5" backsets), a quick-release adaptor for 3/8" drill chuck, a 2 1/8" bit, and a 1" diameter x 9" bit.



KD304A parts



KD304A with case

The following kit items can also be purchased separately.

- KD309** – 2 1/8" bit
- KD318** – 1" dia. x 9" bit
- KD319** – 3/8", quick release adaptor
- To order complete kits specify: KD304A Kit**

KD312 and KD315 Face Plate Marking Chisel and KD325 Strike Plate Location Pin

The KD315 face plate marking chisel (which locates the mortising for the faceplate) and the KD325 strike locating pin (which centers the strike for proper installation) and is used for Fed. Spec. 161 cylindrical lockset, (1 1/8" x 2 1/4"), and BEST® series 82T & 83T tubular locks. The KD312 face plate marking chisel is available for Fed. Spec. 160 (1" x 2 1/4") preparation.



KD315
(Fed. Spec. 161)



KD325

To order specify:

- KD312**– face plate marking chisel 1" (160)
- KD315**– face plate marking chisel 1 1/8" (161)
- KD325**– strike plate locating pin

KD 316 Spanner Wrench

All 8K locksets require the use of the KD316 spanner wrench for door mounting. This tool is included with every 10 locksets ordered. If more are needed designate quantity and KD316 on your order.



KD316

Mortise-to-Cylindrical Lock Adaptor Kit



83KA2A

Mortise lock mounting may be converted to BEST® cylindrical lock through use of this kit.

Specifications

- Materials:** Stainless steel
- Finish:** 630 only
- Escutcheon:** 3 1/2" x 8 1/2" x .050" thickness
- Strike:** 1 1/2" x 8" with 6 3/4" lip, 1 1/4" to center
- Face Plate:** 83KF1–8" x 1 1/8" wide
- Backset:** 2 3/4" Door thickness is increased 7/64" for mounting 83K series locksets
- To order specify:** adaptor kit 83KA2A kit

One-Piece Universal Mortise/Cylindrical-to-Cylindrical Adaptor Kit



83KA2B

Door previously mounted with another manufacturer's lockset may be quickly adapted to a BEST® cylindrical lock through use of the following kit.

Specifications

- Materials:** Stainless steel
- Finish:** 630 only.
- Face Plate Recess:** 2 1/4" x 1 1/8"
- Backset:** 2 3/4"
- Door Thickness:** 1 3/4"
- To order specify:** 83KA2B



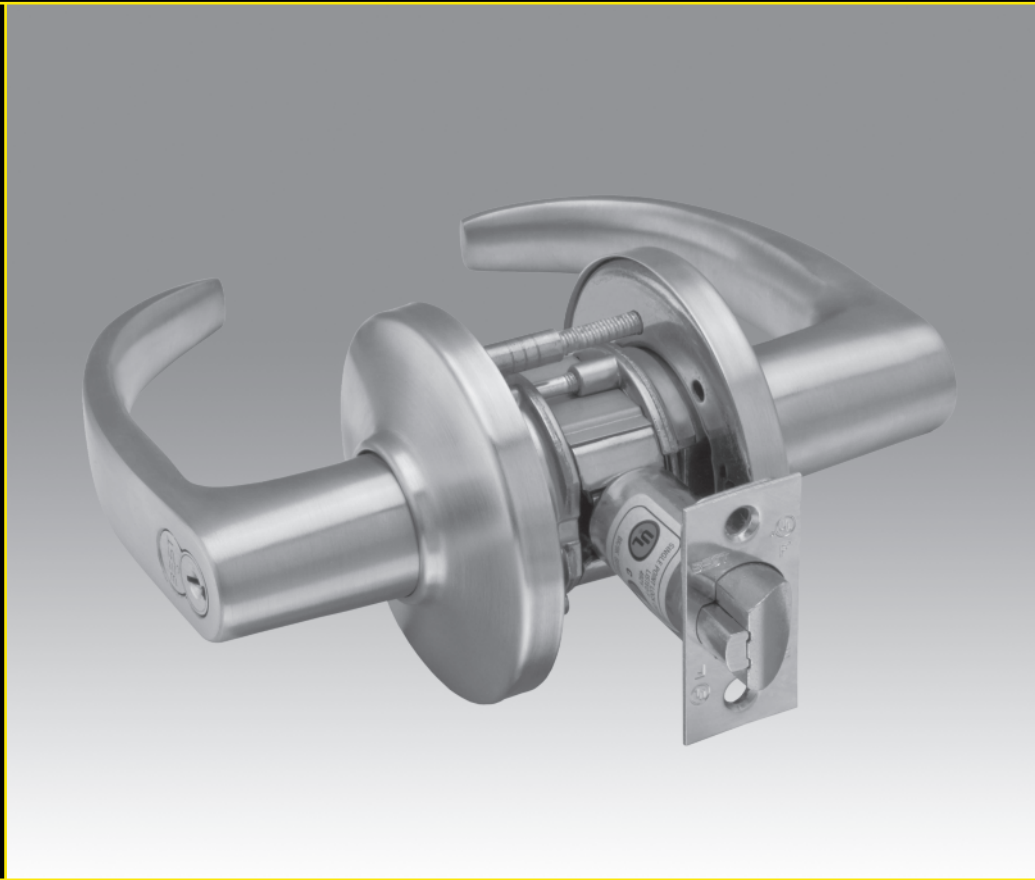
Stanley Security Solutions, Inc.

6161 E. 75th Street Indianapolis, Indiana 46250

© 2012 Stanley Security Solutions, Inc. • www.stanleysecuritysolutions.com

10M R0812
BAS009

STANLEY[®]
Security Solutions



9K SERIES

HEAVY DUTY LOCKS - LEVERS

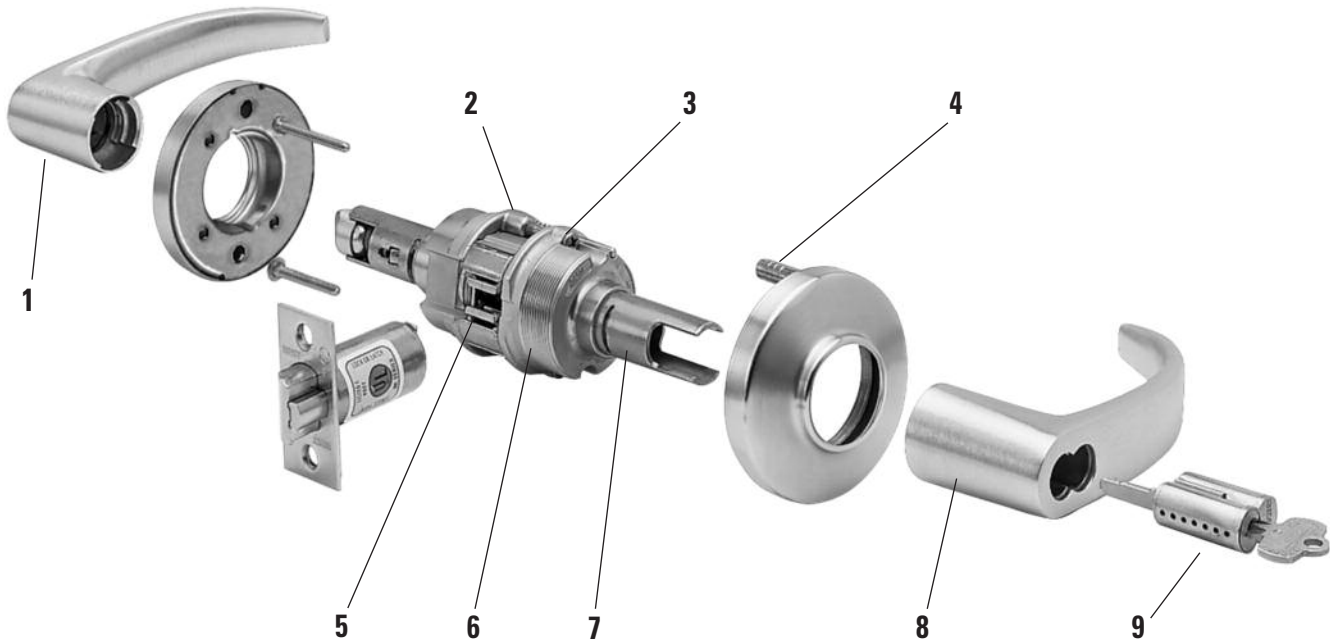


HEAVY DUTY CYLINDRICAL LOCKS – LEVERS

TABLE OF CONTENTS		Page	Page	
Features		2	Function Descriptions	6-9
Specifications		3	Shipping Weights	9
How to Order		3	9K Sample Specifications	10
Trim Variations		4	Patented Keying System	10
Options/Features		5	Deadlocking Latches	11
Service Equipment		5	Strikes & Door Preparation	11

FEATURES

1. For versatile applications, lever by knob trim variations are available.
2. Rose locking pin and rose assembly design offers great torque resistance. It prevents the locking pin from twisting, bending, or breaking under attack.
3. The innovative design of the slotted key release cam and locking lug assembly create maximum attack resistance. Even though damaged, the lock still allows key access. In addition, the lever is fully functional from the inside. The hub-mounted torsion spring and strong retractor springs help prevent lever sag and offer a smooth and snappy operation.
4. Strong through-bolt mounting studs increase torque resistance. Heavy rose liner material is highly attack resistant.
5. Strong retractor springs provide resistance to lever sag.
6. Zinc hubs with a shrouded locking lug, guaranteeing higher quality and increased torque resistance.
7. The outside lever sleeve is a seamless one piece construction made of a hardened steel alloy that provides additional reinforcement in the locking lug slot.
8. Lost Motion feature available allowing 45° lever rotation in either direction without engaging retractor assembly.
9. Interchangeable core allows for quick re-keying and customized masterkeying.



9K — EXPLODED

ADA—Americans With Disabilities Act:

9K series – The design and operation of the BEST® cylindrical lock meets the intent of the standard for ANSI A117.1 section 404.2.6



Builders Hardware Manufacturers Association:

9K series – Listed by BHMA for A156.2, Series 4000, Grade 1.



Underwriters Laboratories®:

9K series – Listed by Underwriters Laboratories for use on 3 Hr, A label for single or double swinging doors.



Florida Building Code and Miami-Dade County Code:

9K series – 9/16" latch throw – Listed by Florida Building Code and Miami-Dade County at ± 75 PSF for single doors. 9K series – 3/4" latch throw – Listed by Florida Building Code and Miami-Dade County at ± 80 PSF for single doors and ± 50 PSF for double doors.

California State Fire Marshal:

9K series – Listed with California State Fire Marshal.
9K series 14 & 15 lever conforms with California Title 24.

Backset – 2 3/4" standard, 3 3/4" and 5" available.

Chassis – Critical latch and chassis components are brass or corrosion-treated steel. 2 1/16" diameter to fit 2 1/8" hole in door (Conforms to ANSI A115.2). Lost Motion feature available as an option. (see page 5 for options/features).

Door thickness – Available for 1 3/4" to 2 1/4" doors only.
Spacers available for 1 3/8" doors.

Roses – C – 3" Convex D – 3 1/2" Convex
 K – 3" Convex-no ring L – 3 1/2" Convex-no ring

Products protected by one or more of the following patents:

	U.S.:		Canada:
D290,085	4,428,212	4,428,570	1,184,773
4,843,852	4,318,558	4,779,908	1,194,057
4,262,507	4,496,178	5,794,472	1,229,358
5,116,170	5,590,555	Other products patent pending.	

SPECIFICATIONS

Finish –	(BHMA)	US	DESCRIPTION
	605	3	bright brass
	606	4	satin brass
	611	9	bright bronze
	612	10	satin bronze
	613	10B	oxidized satin bronze, oil rubbed
	618	14	bright nickel plated
	619	15	satin nickel plated
	622	19	flat black
	625	26	bright chromium plated
	626	26D	satin chromium plated
	690	20	dark bronze

Antimicrobial Finish
626AM

satin chrome plated with *UltraShield™* antimicrobial protected coating

The Stanley Security Solutions UltraShield™ finish inhibits the growth of bacteria and other microbes on the surface of the hardware.

Note: Stanley's UltraShield™ option is recommended for use on any hardware application where product cleanliness is a high priority. i.e.; Hospital/Healthcare, Elderly Care, Education, Transportation, Food-Service, Hospitality.

Latch – Solid brass 9/16" throw. Front 2 1/4" x 1 1/8" beveled.

Lever handles – Lever handles are a high-quality zinc alloy. Trim components are brass or bronze. Body is approximately 5/8" in diameter; Handle is approximately 4 3/4" long (from center-line of chassis). #14 and #15 levers conform to California Administrative Code Title 19 and Title 24. All three styles of levers conform to the Illinois Accessibility Standard.

Mounting – In addition to standard door preparation (ANSI A115.2 for 1 3/4" doors), two additional holes are needed for through-bolts. Through-bolts require two 5/16" diameter holes located at 12 o'clock and 6 o'clock positions. A drill jig can be ordered to insure accuracy of the holes. (see KD303 page 5).

Projection on door – Approx. 2 3/4" when mounted on 1 3/4" door.

Strike – STK: Conforms to ANSI A115.2 (2 3/4" x 1 1/8" with curved lip & box). S3: Conforms to ANSI A115.2 for 1 3/4" doors (4 7/8" x 1 1/4" with curved lip). S3-7/8: Conforms to ANSI A115.2 for 1 3/4" doors (4 7/8" x 1 7/8" flat)

HOW TO ORDER

9K	3	7	AB	15	A	STK	626	Options	
Series	Backset	Core Housing	Function Code	Lever Style	Rose Style	Strike Package	Finishes		
9K	3 – 2 3/4" 4 – 3 3/4" 5 – 5"	0 – keyless 7 – 7-pin housing accepts all BEST® cores	AB – entrance D – storeroom L – privacy N – passage R – classroom etc. pages 6-9	14 – curved return 15 – contour angle return 16 – curved no return pages 4-5	 	C – 3" convex D – 3 1/2" convex K – 3" convex - no ring L – 3 1/2" convex - no ring	STK – 2 3/4" ANSI S3 – 4 7/8" ANSI S3 – 7/8-7/8" flat strike	605 606 611 612 613 618 619 622 625 626 690 626AM	AL – abrasive lever LL – lead lined LM – lost motion RQE – request to exit** SH – security head screws TL – tactile lever 3/4-3/4" throw latch 7/8" LTC – flat lip strike NOTE: specify inside (I), outside (O), or both (B) for AL, TL options page 5

*Handles are made from a zinc alloy, and have been plated to be equivalent in appearance to the finishes listed.

For information on 9K non-IC products please refer to BEST's non-IC keying products brochure.

**RQE option requires modification to chassis and is sold with assembly unit only.

TRIM VARIATIONS



14C



15C



16C



14D



15D



16D



14K



15K



16K



14L

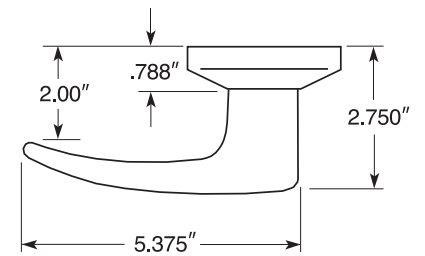
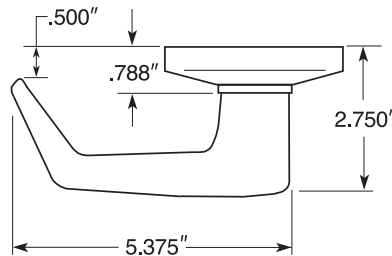
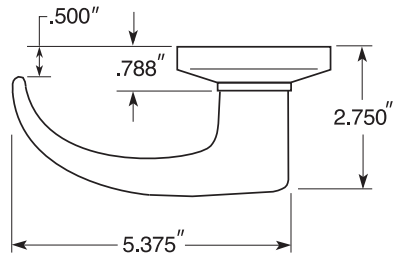
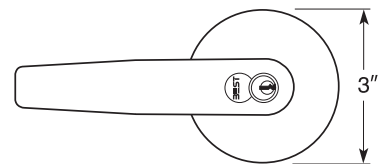
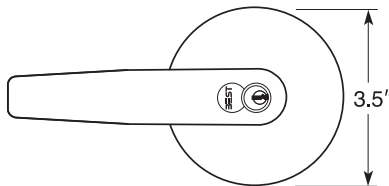
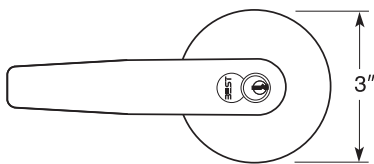


15L



16L

LEVER & TRIM DIMENSIONS



#14C or #14K Trim
("C" rose shown)

#15D or #15L Trim
("D" rose shown)

#16C or #16K Trim
("K" rose shown)

Abrasive Lever Option

Besides complying with a wide variety of accessibility codes and ordinances, Best Access Systems lever handles are available with a special abrasive feature. Abrasive strip on the lever immediately identifies warnings on doors to hazardous areas for the blind.

To order: Designate "AL" on How to Order (page 3). **Note:** abrasive strip is available on all levers, except #14, #15, #16 levers in 613 finish.

Lost Motion Feature

The Lost Motion feature allows the lever handle to move 45 degrees from parallel to the horizontal plane without engaging the latchbolt assembly. When the lockset is in the locked mode, this feature makes over-torque or over-lever-age abuse more difficult to achieve.

To order: designate "LM" on How to Order (page 3).

Non IC Lever Option

The 9K heavy duty cylindrical lock may be adapted to existing keying systems by using a special retrofit lever and throw member that will accept 6 pin single shear-line cylinders from non BEST manufacturers. No internal modifications are required to adapt the 9K to cylinders from the following manufacturers: Corbin-Russwin, Medeco, Sargent, Schlage, Yale. Refer to BEST® non-IC keying products brochure for more details.

RQE Feature

The 9K lever handle cylindrical can be built to incorporate a request-to-exit (RQE) switch. A normally open switch provides momentary switch closure when the inside lever is rotated. RQE option requires modification to chassis and is sold with assembly unit only.

To order: designate "RQE" on How to Order (page 3).

Tactile Lever Option

Tactile levers may be used in areas where improved grip is required or as a warning in hazardous areas. Grooves are machined into the back of the hand grasp portion of the lever to improve grip and/or to provide a sensory warning in hazardous areas. This option can be used for Blind, Safety or Accessibility applications. **To order:** Designate "TL" on How to Order (page 3).

SERVICE EQUIPMENT

KD303 Through-Bolt Drill Jig

Special accessory jig aids in aligning $\frac{5}{16}$ " holes for through-bolt mounting. Install the latch first, then insert jig in $2\frac{1}{8}$ " bored hole, align with door edge and drill with $\frac{5}{16}$ " drill bit.

To order specify: KD303.



KD303-9K

KD304A Boring Jig Kit

The KD304A jig kit is made for boring cut-outs in wooden doors for Fed. Spec. 160 and 161 series cylindrical/tubular locksets, doors $1\frac{3}{8}$ " to $2\frac{1}{4}$ " thick. The KD304A kit includes the boring jig (to drill wood doors for $2\frac{3}{8}$ ", $2\frac{3}{4}$ ", $3\frac{3}{4}$ ", and 5" backsets), a quick-release adaptor for $\frac{3}{8}$ " drill chuck, a $2\frac{1}{8}$ " bit, and a 1" diameter x 9" bit.

The following kit items can also be purchased separately.

KD309 – $2\frac{1}{8}$ " bit

KD318 – 1" dia. x 9" bit

KD319 – $\frac{3}{8}$ ", quick release adaptor

To order complete kits specify: KD304A Kit



KD304A parts



KD304A with case

KD312 and KD315 Face Plate Marking Chisel and KD325 Strike Plate Location Pin

The KD315 face plate marking chisel (which locates the mortising for the faceplate) and the KD325 strike locating pin (which centers the strike for proper installation) and is used for Fed. Spec. 161 cylindrical lockset, ($1\frac{1}{8}$ " x $2\frac{1}{4}$ "), and BEST® series 82T & 83T tubular locks. The KD312 face plate marking chisel is available for Fed. Spec. 160 (1 " x $2\frac{1}{4}$ " preparation).

To order specify:

KD312– face plate marking chisel 1" (160)

KD315– face plate marking chisel $1\frac{1}{8}$ " (161)

KD325– strike plate locating pin



KD315
(Fed. Spec. 161)



KD325

KD317 Spanner Wrench and KD340 Spring Tool

All 9K locksets require the use of KD317 spanner wrench for door removal. This tool is included 1 per every 9 locksets with your order. If more are needed, designate KD317 on your order. The KD340 lever return spring tool with its unique design feature is used when replacing the 9K lever return spring.

To order specify: KD340.

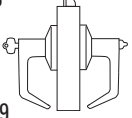
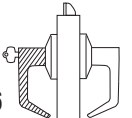
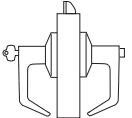
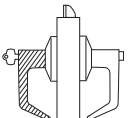
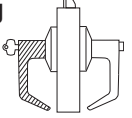
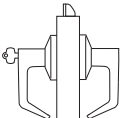
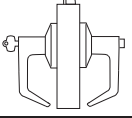
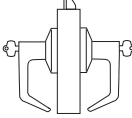
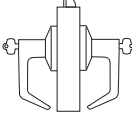


KD317
Spanner Wrench

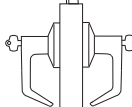
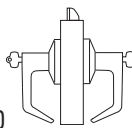
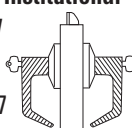
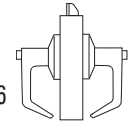
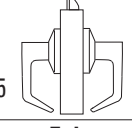
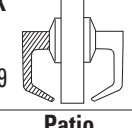
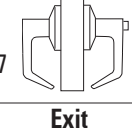
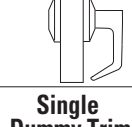
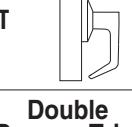
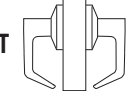


KD340
Spring Tool

FUNCTIONS

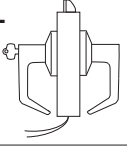
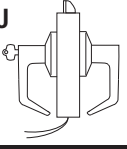
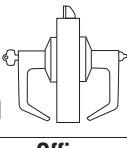
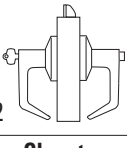
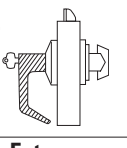
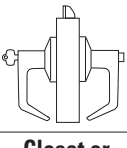
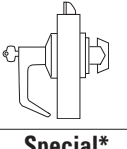
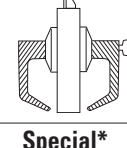
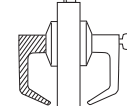
Function & Diag. (ANSI No.)	Description	Outside Lever		Inside Lever	
		Latch operated by	Locked by	Unlocked by	Locked by
Single Keyed					
Entrance AB F109 	<ul style="list-style-type: none"> Rotating the inside lever, Rotating the outside lever—only when the inside push button is out, Turning the key in the outside lever 	<ul style="list-style-type: none"> Pushing the inside button, Pushing and turning the inside button. Turning the button keeps the outside lever locked until the button is turned back 	<ul style="list-style-type: none"> Turning the key in the outside lever, (only when the button is not turned) Rotating the inside lever, (only when the button is not turned). Closing the door (only when the button is not turned) 	Cannot be locked	Always unlocked
Storeroom D F86 	<ul style="list-style-type: none"> Turning the key in the outside lever, Rotating the inside lever 	Always fixed	Cannot be unlocked	Cannot be locked	Always unlocked
Service Station E F92 	<ul style="list-style-type: none"> Rotating the inside lever, Rotating the outside lever—only when the inside push button is out. Turning the key in the outside lever 	<ul style="list-style-type: none"> Pushing the inside button, Pushing and turning the inside button. Turning the button keeps the outside lever locked until the button is turned back 	<ul style="list-style-type: none"> Turning the key in the outside lever, Rotating the inside lever, Closing the door—only when the button is not turned, Turning back the slotted button 	Cannot be locked	Always unlocked
Hotel Guest Room H F93  Indicator Included	<ul style="list-style-type: none"> Rotating the inside lever, Turning the key in the outside lever—only when the inside push button is out, Removing the core with a control key and using a special emergency key 	Always fixed	Key block feature is released by: <ul style="list-style-type: none"> Rotating the inside lever, Closing the door 	Cannot be locked	Always unlocked
Pushing the inside button projects an “occupied” indicator in the outside lever and blocks all operating keys.					
Hotel Guest Room HJ  No Indicator	<ul style="list-style-type: none"> Rotating the inside lever, Turning the key in the outside lever—only when the inside push button is out, Removing the core with a control key and using a special emergency key 	Always fixed	Key block feature is released by: <ul style="list-style-type: none"> Rotating the inside lever, Closing the door 	Cannot be locked	Always unlocked
Pushing the inside button blocks all operating keys, but no “occupied” indicator is projected.					
Classroom R F84 	<ul style="list-style-type: none"> Rotating the inside lever, Turning the key in the outside lever, Rotating the outside lever when not locked by key 	Turning the key in the outside lever	Turning the key in the outside lever	Cannot be locked	Always unlocked
Dormitory T F90 	<ul style="list-style-type: none"> Rotating the inside lever, Rotating the outside lever when not locked by key or push button 	<ul style="list-style-type: none"> Turning the key in the outside lever, Pushing the button on the inside lever 	<ul style="list-style-type: none"> Turning the key in the outside lever, Rotating the inside lever (only when locked by push button), Closing the door (only when locked by push button) 	Cannot be locked	Always unlocked
Double Keyed*					
Corridor C F88 	<ul style="list-style-type: none"> Rotating the inside lever, Rotating the outside lever when not locked by key, Turning the key in the outside lever 	Turning the key in the inside lever	Turning the key in the inside lever	Cannot be locked	Always unlocked
Storeroom * G F91 	<ul style="list-style-type: none"> Rotating the outside lever when not locked by key, Rotating the inside lever when not locked by key 	<ul style="list-style-type: none"> Turning the key in the inside lever, Turning the key in the outside lever 	<ul style="list-style-type: none"> Turning the key in the inside lever, Turning the key in the outside lever 	<ul style="list-style-type: none"> Turning the key in the inside lever, Turning the key in the outside lever 	<ul style="list-style-type: none"> Turning the key in the inside lever, Turning the key in the outside lever
Turning the key in either the inside or the outside, locks or unlocks both sides.					

***ATTENTION:** Locksets that secure both sides of the door are controlled by building codes and the Life Safety Code. In an emergency exit situation, failure to quickly unlock the inside lever could be hazardous or even fatal.

Function & Diag. (ANSI No.)	Description	Outside Lever		Inside Lever	
		Latch operated by	Locked by	Unlocked by	Locked by
Double Keyed (Continued)					
IN 	<ul style="list-style-type: none"> Rotating inside lever, Rotating outside lever only when not locked by inside or outside key 	<ul style="list-style-type: none"> Turning key in the inside lever, Turning the key in the outside lever 	<ul style="list-style-type: none"> Turning key in the inside lever, Turning the key in the outside lever 	Cannot be locked	Always unlocked
S 	<ul style="list-style-type: none"> Turning the key in the inside lever, Turning the key in the outside lever, Rotating the inside or outside lever (if unlocked) 	Turning the key in the outside lever	Turning the key in the outside lever	Turning the key in the inside lever	Turning the key in the inside lever
F80	Turning the key in either lever, locks or unlocks its own lever independently.				
W 	<ul style="list-style-type: none"> Turning the key in the inside lever, Turning the key in the outside lever 	Always fixed	Cannot be unlocked	Always fixed	Cannot be unlocked
F87					
Keyless					
L 	<ul style="list-style-type: none"> Rotating the inside lever Rotating the outside lever only when the inside push button is out 	Pushing the inside button	<ul style="list-style-type: none"> Rotating the outside slotted button, Rotating the inside lever, Closing the door. 	Cannot be locked	Always unlocked
F76					
N 	<ul style="list-style-type: none"> Rotating the inside lever, Rotating the outside lever 	Cannot be locked	Always unlocked	Cannot be locked	Always unlocked
F75					
NX 	Rotating the inside lever	Always fixed	Always fixed	Cannot be locked	Always unlocked
F89					
P 	<ul style="list-style-type: none"> Rotating the inside lever, Rotating the outside lever only when the inside push button is out 	Pushing the inside button	<ul style="list-style-type: none"> Rotating the inside lever, Closing the door 	Cannot be locked	Always unlocked
F77					
Y 	Rotating the inside lever			Cannot be locked	Always unlocked
1DT 	This is a single, surface-mounted lever for an inactive door or a non-latching door				
2DT 	This is a through bolt mounted pair of matching levers for an inactive door or a non-latching door				

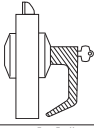
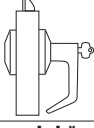
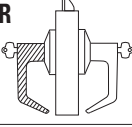
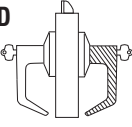
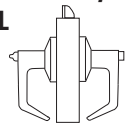
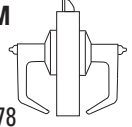
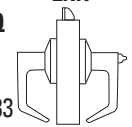
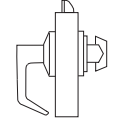
***ATTENTION:** Locksets that secure both sides of the door are controlled by building codes and the Life Safety Code. In an emergency exit situation, failure to quickly unlock the inside lever could be hazardous or even fatal.

FUNCTIONS

Function & Diag. (ANSI No.)	Description	Outside Lever		Inside Lever	
		Latch operated by	Locked by	Unlocked by	Locked by
Electromechanical					
Electrically Locked DEL 	<ul style="list-style-type: none"> Rotating the inside lever, Rotating the outside lever only when power is off, Turning the key in the outside lever 	<ul style="list-style-type: none"> Applying 24 Volts DC. Outside lever remains locked only while power is on 	Switching off 24 Volts DC	Cannot be locked	Always unlocked
Electrically Unlocked DEU 	<ul style="list-style-type: none"> Rotating the inside lever, Rotating the outside lever only when power is on, Turning the key in the outside lever 	Switching off 24 Volts DC	<ul style="list-style-type: none"> Applying 24 Volts DC Outside lever remains unlocked only while power is on 	Cannot be locked	Always unlocked
Special					
Dormitory or Storeroom A 	<ul style="list-style-type: none"> Rotating the inside lever, Rotating the outside lever only when inside turn button is in unlocked position, Turning the key in the outside lever 	Turning the inside button	Turning the inside button	Cannot be locked	Always unlocked
F81	NOTE: Turn button must be manually rotated to unlock the outside lever.				
Office B 	<ul style="list-style-type: none"> Rotating the inside lever, Rotating the outside lever only when inside push button is out, Turning the key in the outside lever 	Pushing the inside button	<ul style="list-style-type: none"> Turning the key in the outside lever, Rotating the inside lever 	Cannot be locked	Always unlocked
F82	NOTE: Push button is released by turning the key in the outside lever, OR rotating the inside lever. Closing the door does not release the push button.				
Closet or Storeroom DZ 	<ul style="list-style-type: none"> Turning the key in the outside lever, Turning the inside closet turn knob 	Always fixed	Cannot be unlocked	Closet turn knob cannot be locked	Closet turn knob always free
Entrance or Office EA 	<ul style="list-style-type: none"> Rotating the inside lever, Rotating the outside lever only when inside push button is out, Turning the key in the outside lever 	<ul style="list-style-type: none"> Pushing the inside button, Pushing and turning the inside button. Turning the slotted button keeps the outside lever locked until the button is turned back 	<ul style="list-style-type: none"> Turning the key in the outside lever, Rotating the inside lever, Turning the slotted button back 	Cannot be locked	Always unlocked
Closet or Storeroom RZ 	<ul style="list-style-type: none"> Turning the key in the outside lever, Turning the inside closet turn knob, Rotating the outside lever when not locked by key 	Turning the key in the outside lever	Turning the key in the outside lever	Closet turn knob cannot be locked	Closet turn knob always free
Special* XD 	Turning the key in the inside lever	Always fixed	Cannot be unlocked	Always fixed	Cannot be unlocked
Special* XR 	<ul style="list-style-type: none"> Turning the key in the inside lever, Rotating the inside lever when not locked by key 	Always fixed	Cannot be unlocked	Turning the key in the inside lever	Turning the key in the inside lever

***ATTENTION:** Locksets that secure both sides of the door are controlled by building codes and the Life Safety Code. In an emergency exit situation, failure quickly unlock the inside lever could be hazardous or even fatal.

FUNCTIONS

Function & Diag. (ANSI No.)	Description Latch operated by	Outside Lever		Inside Lever	
		Locked by	Unlocked by	Locked by	Unlocked by
Special (Continued)					
Exit * YD 	Turning the key in the inside lever			Always fixed	Cannot be unlocked
Special * YR 	<ul style="list-style-type: none"> Turning the key in the inside lever, Rotating the inside lever when not locked by key 			Turning the key in the inside lever	Turning the key in the inside lever
Special * DR 	<ul style="list-style-type: none"> Rotating the inside lever only when not locked by key, Turning the key in the outside lever, Turning the key in the inside lever 	Always fixed	Cannot be unlocked	Turning the key in the inside lever	Turning the key in the inside lever
Special * RD 	<ul style="list-style-type: none"> Rotating the outside lever only when not locked by key, Turning the key in the outside lever, Turning the key in the inside lever 	Turning the key in the outside lever	Turning the key in the outside lever	Always fixed	Cannot be unlocked
Hospital Privacy LL 	<ul style="list-style-type: none"> Rotating the inside lever, Rotating the outside lever only when the inside push button is out 	Pushing the inside push button	<ul style="list-style-type: none"> Turning the turn button in the outside lever, Rotating the inside lever, Closing the door 	Cannot be locked	Always unlocked
Communicating* M F78 	<ul style="list-style-type: none"> Rotating the inside lever-only when the outside turn button is in the unlocked position, Rotating the outside lever-only when the inside turn button is in the unlocked position 	Turning the inside turn button	Turning the inside turn button	Turning the outside turn button	Turning the outside turn button
NOTE: Do not use this function for rooms that have no other entrance.					
Exit Q F83 	<ul style="list-style-type: none"> Rotating the inside lever, Rotating the outside lever-only when the inside turn button is in the unlocked position 	Turning the inside turn button	Turning the inside turn button	Cannot be locked	Always unlocked
Closet Z 	<ul style="list-style-type: none"> Rotating the outside lever, Turning the inside closet turn knob 	Cannot be locked	Always unlocked	Closet turn knob cannot be locked	Closet turn knob is always free

***ATTENTION:** Locksets that secure both sides of the door are controlled by building codes and the Life Safety Code. In an emergency exit situation, failure to quickly unlock the inside lever could be hazardous or even fatal.

SHIPPING WEIGHTS

The chart is the approximate shipping weight for the standard 9K functions locksets. This weight includes the weight of the lockset with the "#15" style lever, "K" style rose, latch, strike package, and box. Listed separately are the approximate weights for "with core" and "less core" shipments.

LOCK FUNCTION NOMENCLATURE	CASE QUANTITY	SHIPPING WEIGHT-WITH CORE	SHIPPING WEIGHT-LESS CORE
Y	9		31 lbs.
N	9		40 lbs.
L,NX,P	9		40 lbs.
AB,D,E,H,HJ,R,T	9	42lbs.	40 lbs.
C,G,IN,S,W	9	44 lbs.	40 lbs.

SAMPLE SPECIFICATION ACCEPTABLE MANUFACTURERS**A. Locksets and Latchsets**

Stanley/BEST - No Substitution.

1. Locksets and latchsets: ANSI A156.2, Series 4000, Grade 1 UL listed, extra heavy-duty cylindrical type.
2. Backset 2 3/4 inches (70mm)
3. Interchangeable core 7-pin: [Restricted keyway] [Patented] [Standard] [_____].
4. Locksets to have anti-rotational studs that are through-bolted.
5. Keyed lever with no exposed keeper hole.
6. Each lever to have independent spring mechanism designed to control lever only.
7. Outside lever sleeve seamless, 1-piece construction, hardened steel alloy.
8. Keyed Lever: Removable only after core is removed, by authorized control key, to allow access to knob keeper
9. Hub, side plate, anti-rotational studs 1-piece casting with shrouded locking lug.

B. Keys and Keying

A. Cylinders: 7-pin, interchangeable core and keyed into a [New] [Existing] factory registered Grand Masterkey System with a [Standard] [Restricted] [Patented] keyway.

1. Acceptable Material: Cylinders as manufactured by Stanley/BEST.

B. Provide construction cores and keys during construction period. Construction control and operating keys and cores are not part of permanent keying system or furnished on same keyway (or key section) as permanent keying system.

C. Permanent Keys and Cores: Prepare permanent cores and keys in accordance with keying schedule. [Stamp with applicable key mark for identification.] [Do not stamp.] [_____].

D. Provide Grand Masterkeys, Masterkeys and other Security Keys.

E. Furnish keys in the following quantities:

1. [4] [_____] each Grand Masterkeys.
2. [4] [_____] each Masterkeys per set.
3. [2] [_____] each Change keys each keyed core.
4. [6] [_____] each Construction masterkeys.
5. [2] [_____] each Control keys.
6. Install permanent cores in locksets.

F. Return construction cores to [(Stanley/BEST) factory representative] [Hardware manufacturer's representative].

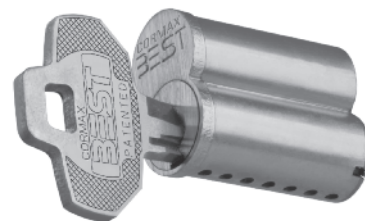
CORMAX™ PATENTED KEYING SYSTEM

BEST® CORMAX™ is the premier patented keying system offered by Stanley Security Solutions. CORMAX will meet your needs for security, key control, and convenience. A simple solution with no compromising allowed.

CORMAX is the upgrade path for existing BEST Standard, Premium, and MX8 customers; and it is an essential element of non-residential access control as security administrators strive to eliminate the unauthorized duplication of keys.

CORMAX offers the following features and benefits:

- A long-term US utility patent that guarantees the extended useful life of the system through 2027.
- A second, independent locking mechanism that utilizes a patented set of built-in side pins to provide higher security.
- Several levels of geographical exclusivity, including national exclusivity, are available via the patented side pin feature.
- CORMAX cores and keys are available exclusively through Stanley sales offices. Key blanks are only sold to individuals authorized by the customer to ensure key blanks do not end up in the possession of unauthorized personnel either inside or outside the customer's facility.
- CORMAX cores are certified to meet the security, safety, and reliability requirements of BHMA A156.5 Grade 1.
- Picking and drilling resistance options are available if higher levels of security are desired.
- Complete factory masterkeying service offered, and at no charge with purchase of BEST locksets and PHI exit devices.
- Keyways are organized in families of four keyways each, with double-milled and quad-milled key levels to facilitate the design of masterkey systems in multi-building campuses.
- BEST CORMAX cores are compatible with all existing BEST interchangeable core housings, eliminating the need for new or modified locksets.



CORMAX™
Patented Keying System

DEADLOCKING LATCHES



8KL3 Deadlocking Latch

Bolt throw – $\frac{9}{16}$ "

Backset – $2\frac{3}{4}$ "

Front – $2\frac{1}{4}$ " x $1\frac{1}{8}$ " beveled.

Tube – To fit 1" diameter hole in door edge.

To order: (with unit) designate "9K3" on How to Order (page 3).

To order: (without unit) designate "8KL3-SL" (Spring Latch) or DL (Deadlocking Latch) and finish.



8KL4 Deadlocking Latch

Bolt throw – $\frac{9}{16}$ "

Backset – $3\frac{3}{4}$ "

Front – $2\frac{1}{4}$ " x $1\frac{1}{8}$ " beveled.

Tube – To fit 1" diameter hole in door edge.

To order: (with unit) designate "9K4" on How to Order (page 3).

To order: (without unit) designate "8KL4-SL" (Spring Latch) or DL (Deadlocking Latch) and finish.



8KL5 Deadlocking Latch

Bolt throw – $\frac{9}{16}$ "

Backset – 5"

Front – $2\frac{1}{4}$ " x $1\frac{1}{8}$ " beveled.

Tube – To fit 1" diameter hole in door edge.

To order: (with unit) designate "9K5" on How to Order (page 3).

To order: (without unit) designate "8KL5-SL" (Spring Latch) or DL (Deadlocking Latch) and finish.



8KS3-7/8

8KS3-7/8 Flat Strike

Dimension: Conforms to ANSI A115.2 for $1\frac{3}{4}$ " doors ($4\frac{7}{8}$ " x $1\frac{7}{8}$ " flat)

To order: (with unit) designate "S3-7/8" on How to Order (page 3).

To order: (without unit) designate 8KS3-7/8 and finish.



8KS3

8KS3 Strike

Dimension: Conforms to ANSI A115.2 for $1\frac{3}{4}$ " doors ($4\frac{7}{8}$ " x $1\frac{1}{4}$ " with curved lip).

To order: (with unit) designate "S3" on How to Order (page 3).

To order: (without unit) designate 8KS3 and finish.



8KS2

8KS2 Strike (Supplied Standard)

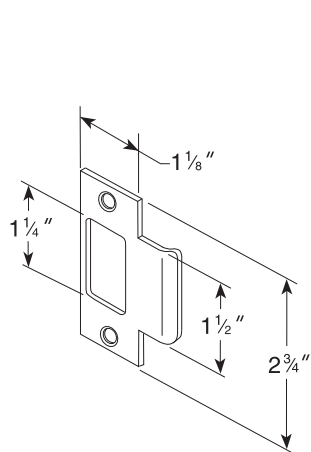
Dimension: Conforms to ANSI A115.2 for $1\frac{3}{8}$ " doors ($2\frac{3}{4}$ " x $1\frac{1}{8}$ " with curved lip and box).

To order: (with unit) designate "STK" on How to Order (page 3).

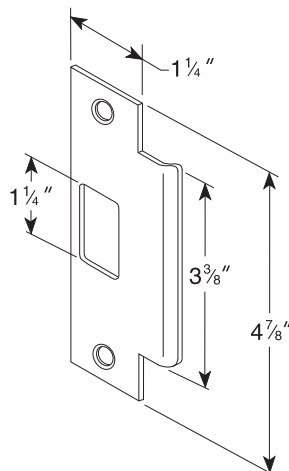
To order: (without unit) designate 8KS2 and finish.

STRIKES

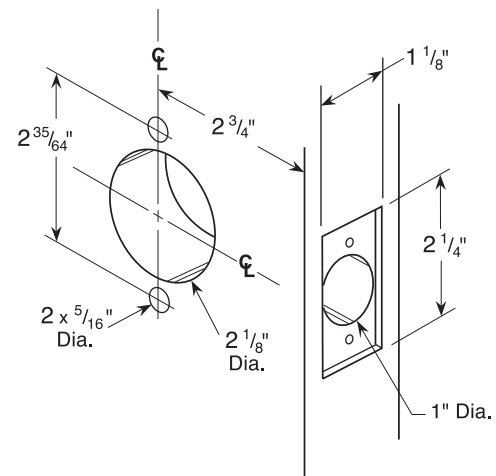
STRIKES & DOOR PREPARATION



STK strike (standard)



S3 strike



9K door preparation with through-bolt mountings



For more information on Stanley Security Solutions' products, services, and office locations visit our web site at www.stanleysecuritysolutions.com

Product information contained in this catalog has been compiled and presented with as much care and completeness as is reasonably possible. Errors or mistakes may be present, and in many cases, reliance has been placed on information supplied by other manufacturers which may be in error or which may be subject to changes or modifications by the manufacturer without notice and without obligation. Therefore, no guarantee can be made or should be assumed or implied with regards to product information contained in this catalog.

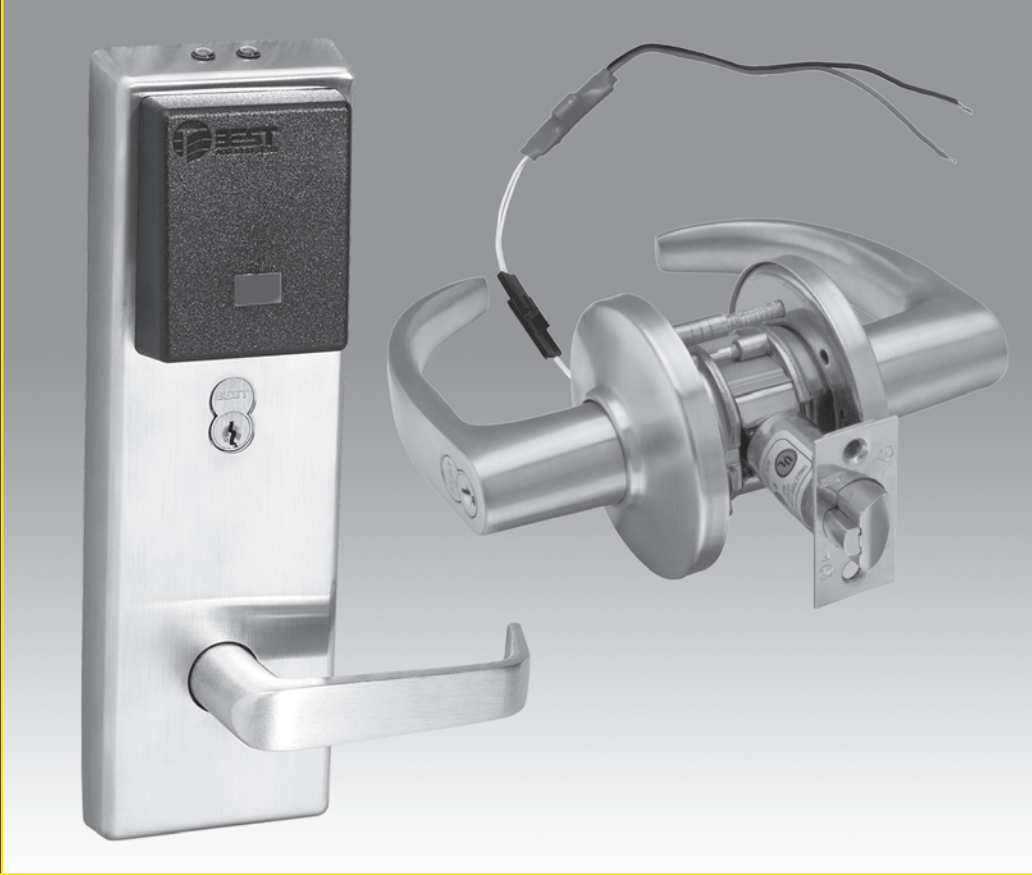


Stanley Security Solutions, Inc.
6161 E. 75th Street Indianapolis, Indiana 46250

© 2012 Stanley Security Solutions, Inc. • www.stanleysecuritysolutions.com

10M 0712
BAS008

STANLEY
Security Solutions



W&M SERIES

IDH MAX® &
ELECTROMECHANICAL LOCKS



IDH MAX® & ELECTROMECHANICAL LOCKS

TABLE OF CONTENTS		Page	Page
IDH MAX® introduction	2	40HW electrified functions	8-9
IDH MAX® features	2	8KW/9KW electrified specification	10
IDH Max® and IDH Max® 1300 comparison chart	3	8KW/9KW electrified how-to-order	10
HM, KM, HW & KW options	3	8KW/9KW electrified functions	10
40HM IDH MAX® specifications, how-to-order	4	Trim variations	11
40HM IDH MAX® functions	5	Electrified accessories	12,13
93KM IDH MAX® specifications, how-to-order	6	Terminology	13
93KM IDH MAX® functions	7	1W electric switch lock introduction	14
40HW/8KW/9KW electrified lock introduction	7	Optional boxes	14
40HW electrified specification	7	1W electric switch lock how-to-order	14
40HW electrified how-to-order	8	1W electric switch locks	15-19

IDH MAX® – INTRODUCTION

The IDH MAX® from Stanley Security Solutions offers convenience and efficiency for your electrified lock applications. Instead of installing reader devices, installing electrified strikes, installing door contacts and installing request-to-exit devices, you can now install the IDH MAX® in cylindrical or mortise lock applications. With IDH MAX® all of the formerly separate equipment needed to control access are self-contained in a single installation. The complexity of multiple wire runs is drastically reduced.

You can let Stanley Security Solutions show you how to MAXimize your access control system with the IDH MAX®! For the name and location of your local office, visit our web site at www.stanleysecuritysolutions.com. IDH MAX® and W series locks (with the exception of the IDH Max® 1300) are compatible with Stanley's NT500 and B.A.S.I.S. Access Control Systems.

IDH MAX® – FEATURES

IDH Max® Features

- Includes latch and door position indicator, RQE switch.
- The 1300 option eliminates the need for a RIM (reader interface module) which is embedded behind the escutcheon
- Requires only one 4 conductor wire run
- Reduces number of components installed and visible at the door (PIR, RQE push buttons and door contacts)
- Installation time is reduced
- The RQE switch senses the inside lever/knob rotation.
- All of the door components are housed in one manufacturer's hardware
- With the elimination of components, only the lockset is visible at the door
- The reader is integrated into the lockset escutcheon
- Available in magnetic stripe and proximity readers
- Available in all popular lever/knob styles and finishes
- Operates with BEST interchangeable core as a mechanical override
- Integrates with many manufacturer's on-line EAC equipment

Mortise Features

- Lock case meets the requirements as listed in the ANSI/ BHMA A156.13 standard for Series 1000, Grade 1 Operational and Grade 2 Security locks
- UL listed for GYQS Electrically controlled single point locks or latches for use on 3 hr, A label doors (4' x 10'). The listing applies for both U.S. and Canadian applications
- Door contact, request-to-exit, and latch status sensors positioned inside lock case
- The 1300 option eliminates the need for a RIM (reader interface module) which is embedded behind the escutcheon
- The door contact magnet is installed behind the strike and out of site (except when deadbolt option is ordered)
- All sensors are standard in IDH Max mortise locks
- The heavy duty design of the mortise lock makes easy field maintenance and reduces risk of part failure

Mortise Features (continued)

- Twist off lever spindle design protect internal lock parts from damage and failure.
- Oil impregnated stainless steel ³/₄" anti-friction latchbolt reduces door closing force and wear.

Cylindrical Features

- Non-handed levers allow for ease of installation
- Lock chassis meets the requirements as listed in the ANSI/ BHMA A156.2, standard for Series 4000 Grade 1 locks
- UL listed for GYQS Electrically controlled single point locks or latches for use on 3 hr, A label single doors (4' x 10) GYJB. The listing applies for both U.S. and Canadian applications
- Request-to-exit sensor positioned inside lock trim
- The ISC (Intelligent System Controller) is embedded behind the escutcheon secured and out of site
- Request-to-exit and door contact sensors are standard in IDH MAX cylindrical locks

Magnetic Stripe Electronic Lock Features

- Durable material has teflon-like characteristics for increased life and wear resistance
- Variable read rate allows for easy usage

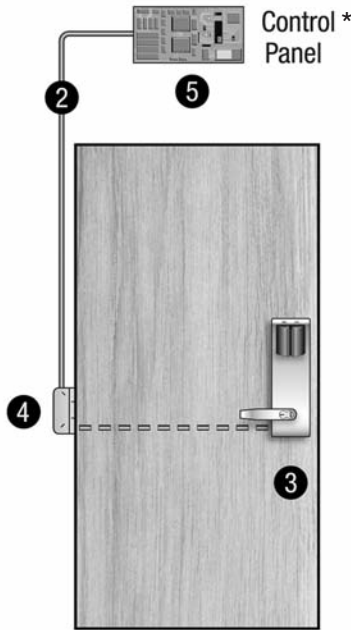
Proximity Card Reader Features

- HID and Motorola/Indala proximity cards supported
- UL listed for GYQS Electrically controlled single point locks or latches.
- Usable in all environmental/exterior applications.

1300 Option Features

- Eliminates need for small panel interface module
- Eliminates reader interface board
- Incorporates 3 modules into a single electronics board inside IDH Max escutcheon trim
- Connects directly to ACP via 2 wire RS485 connection

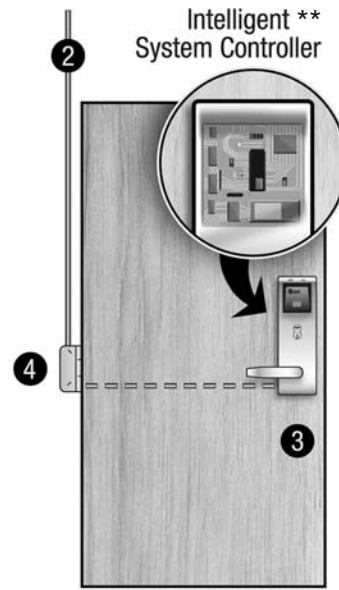
IDH MAX® & IDH MAX® 1300 COMPARISON CHART



IDH MAX®

1. Prep door for IDH MAX®
2. Run single 4 conductor wire for IDH MAX®
3. Install IDH MAX®
4. Install electrified hinge
5. Mount control panel

* Operates with any control panel hardware, including B.A.S.I.S. control panels.



IDH MAX® 1300

1. Prep door for IDH MAX®
2. Run single 4 conductor wire for IDH MAX® 1300
3. Install IDH MAX® 1300 which includes Intelligent System
4. Install electrified hinge

** Operates with B.A.S.I.S. control panels only.

HM, KM, HW & KW – OPTIONS

AL– Besides complying with a wide variety of accessibility codes and ordinances, lever handles are available with a special abrasive feature. Abrasive strip on the lever immediately identifies warnings on doors to hazardous areas for the blind.

BRK– When excessive force (approx. 300 inch lbs.) is applied to #4, #6 keyed knobs, they “breakaway” and spin freely, thus allowing entrance only by key. Simple part replacement returns lock to functional usage.

IDH– The integrated Door Hardware groups three components into one hardware package. **1**. Door monitoring switch (normally closed) **2**. Request-to-Exit switch (normally open) **3**. Electrically controlled locking mechanism.

KNL– Knurl feature is available only on #6 knobs. The knurling is machined into the outer edge of the knob. The knurled feature can be used for blind, safety, or accessibility applications.

LL– Lead lined feature can be used to protect against X-rays. Since the majority of lead lined doors contain the lead in the surface of the door, the knob lockset provide lead lining for the holes cut in the door when preparing the door for the trim.

LM– The Lost Motion feature allows the lever handle to move 45 degrees from parallel to the horizontal plane without engaging the latchbolt assembly. When the lockset is in the locked mode, this feature makes over-torque or over-lever-age abuse more difficult to achieve.

SH– Security head provided for all exposed screws.

RQE– Cylindrical or Mortise locksets can be supplied with a request-to-exit switch. A normally open switch provides momentary switch closure when the inside lever/knob is rotated.

TAC– Grooves are machined into knobs to improve grip or to be used as a warning in hazardous areas. This option can be used for blind, safety or accessibility applications.

Thick door– Specify thickness if other than 1 3/4”.

TL– Tactile levers may be used in areas where improved grip is required or as a warning in hazardous or Safety First areas. Grooves are machined into the back of the hand grasp portion of the lever to improve grip and/or provide a sensory warning. This option can be used for blind, safety, or accessibility applications.

1300– Integrated BAS1300/LNL1300 reader electronics board or (ISC) Intelligent System Controller is embedded behind the escutcheon secured and out of site. Functions with B.A.S.I.S./Mercury on-line equipment only.

40HM IDH MAX® – SPECIFICATIONS MECHANICAL

- Case**— Heavy wrought steel, 5 7/8" H x 4 1/4" D x 1" W steel parts are zinc dichromate plated for corrosion protection.
- Faceplate**— Brass or bronze, 1 1/4" x 8" x 7/32". Armored. Adjustable from flat to beveled 1/8" - 2".
- Strike**— Brass, bronze or Stainless Steel, 4 7/8" x 1 1/4" x 3/32". Fits standard door frame cut out as specified in ANSI A115.1. Correct strike automatically supplied with unit. Strike box supplied standard.
- Door thickness**— For doors 1 3/4" – 4" thick.
- Installation**— Lock requires modified door prep to mount the trim. Faceplate dimensions fit standard door preparation as specified in ANSI A115.1., Lockset is reversible for hand of door.
- Latchbolt**— Stainless steel, 3/4" throw with anti-friction latch.
- Deadbolt**— Solid stainless steel, 1" throw.
- Auxiliary bolt**— Stainless steel.
- Die cast trim housing**— Dimensions: 10 3/8" H x 3 1/4" W x 1" D sloping down to 3/4".
- Knobs**— Diameter: 2 1/8" Projection on door: 2 7/8"
 - #4, #6 knobs: Material machined from brass or bronze.
- Lever handle**— Brass, bronze or stainless steel. (Lever #3, #14 and #15 conform to California Titles 19 and 24.)
- Mounting**— Knob and lever attached with hardened set screw on inside knob or inside lever.
- Finish**— **605**-bright brass, clear coated; **606**-satin brass, clear coated; **611**-bright bronze, clear coated; **612**-satin bronze, clear coated; **613**-oxidized satin bronze, oil rubbed; **625**-bright chromium plated; **626**-satin chromium plated; **629**-bright stainless steel; **630**-satin stainless steel; **690**-dark bronze.



45HM IDH MAX® Mortise

ELECTRONIC

- Maximum current draw:** 1.1 Amp for 50 milliseconds
- Typical current draw (hold condition):** 650 milliAmps
- Voltage:** 10.2 to 13.2 V (DC only)
- Operating Temperature:** Minimum/Maximum range **Inside:** 70° ± 4°F (21° ± 2°C) **Outside:** -31°F (-35°C) to +151°F (+66°C)



Magnetic Stripe Card Reader:

- Read Rate:** 5 inches per second to 50 inches per second.
- Card thickness:** ISO standard .030" ± .003 thick.
- Compliance to FCC, Canadian, and European EMC requirements; for interference FCC Class A digital apparatus.
- Magnetic Stripe adaptation:** Trim option that can accept other manufacturers cylinder.

Proximity Reader:

- ANSI/BHMA A156.25 compliant. Compatible with Motorola / Indala and HID proximity cards. ABA and Wiegand output.
- Weatherproof bezel and gasket provide protection for outdoor use. (Usable in all environmental/exterior applications)
- Card Read Range:** 0 – 3 inches. Compliance to US FCC, Canadian FCC, and European EMC requirements
- ESD Protection:** 15 Kilo Volt

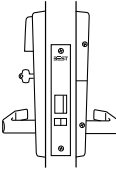
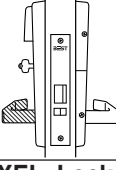
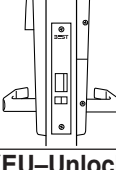
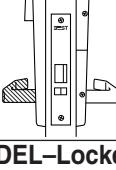
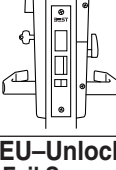


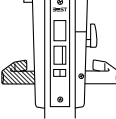
40HM IDH MAX® – HOW TO ORDER

45HM Series	7 Core Housing	DEU Function	14 Lever/Knob Style	MS Trim Style	626 Finishes †	RH Handing	KNL Options †
45HM-IDH Max™	0- Keyless or less cylinder, 7- 7 pin housing ONLY	DEL- electrically locked DEU- electrically unlocked NXEL- electrically locked NXEU- electrically unlocked TDEL- electrically locked TDEU- electrically unlocked LEL- electrically locked LEU- electrically unlocked (page 5)	Levers 3- solid tube return & ♿ 12- solid tube & ♿ 14- curved return & ♿ 15- curved angle return 16- curved no return & ♿ 17- gullwing no return & ♿ Knobs 4- round (page 11)	MS - magnetic stripe PM - proximity Motorola PH - proximity HID MSA - other cylinder PHA - other cylinder PMA - other cylinder (page 11)	605 606 611 612 613 618 619 625 626 690	RH RHRB LH LHRB	SH – security head screws TAC – tactile lever Thick Door – specify thickness if other than 1 3/4" 7/8" LTC - flat lip strike 1300 – B.A.S.I.S. direct connect (page 3)

**Must specify key mark and number of keys or designate L/C for less core. †See H Series catalog for details.



40HM IDH MAX® – FUNCTIONS

Function	Latch	Outside Knob/Lever		Inside Knob/Lever	
	Operated by	Locked by	Unlocked by	Locked by	Unlocked by
DEL–Locked Fail Safe 	<ul style="list-style-type: none"> • Outside knob/lever when power is removed from the solenoid • Outside key • Inside knob/lever. <p>Latchbolt is deadlocked by an auxiliary latch</p>	Applying power to the solenoid; remains locked while power is on.	Removing power from the solenoid	Cannot be locked	Always unlocked
Powered by 12V DC. temperature control module is not needed.					
DEU–Unlocked Fail Secure 	<ul style="list-style-type: none"> • Outside knob/lever when power is applied to the solenoid • Outside key • Inside knob/lever. <p>Latchbolt is deadlocked by an auxiliary latch</p>	Removing power from the solenoid	Applying power to the solenoid; remains unlocked while power is on.	Cannot be locked	Always unlocked
Powered by 12V DC. temperature control module is not needed.					
NXEL–Locked Fail Safe 	<ul style="list-style-type: none"> • Outside knob/lever when power is removed from the solenoid • Inside knob/lever. <p>Latchbolt is deadlocked by an auxiliary latch</p>	Applying power to solenoid; remains locked while power is on.	Removing power from the solenoid	Cannot be locked	Always unlocked
Powered by 12V DC. temperature control module is not needed.					
NXEU–Unlocked Fail Secure 	<ul style="list-style-type: none"> • Outside knob/lever when power is applied to the solenoid • Inside knob/lever. <p>Latchbolt is deadlocked by an auxiliary latch</p>	Removing power from the solenoid	Applying power to the solenoid; remains unlocked while power is on.	Cannot be locked	Always unlocked
Powered by 12V DC. temperature control module is not needed.					
TDEL–Locked Fail Safe 	<ul style="list-style-type: none"> • Outside key • Outside knob/lever when power is removed from the solenoid. • Inside knob/lever. <p>Latchbolt is deadlocked by an auxiliary latch</p>	Applying power to the solenoid; remains locked while power is on.	Removing power from the solenoid	Cannot be locked	Always unlocked
<p>Deadbolt operated by:</p> <ul style="list-style-type: none"> • Outside key • Inside thumb turn 			<p>Deadbolt and Latchbolt retracted simultaneously by:</p> <ul style="list-style-type: none"> • Inside knob/lever • Outside knob/lever when power is removed 		
Powered by 12V DC. temperature control module is not needed.					
TDEU–Unlocked Fail Secure 	<ul style="list-style-type: none"> • Outside key • Outside knob/lever when power is applied to the solenoid • Inside knob/lever. <p>Latchbolt is deadlocked by an auxiliary latch</p>	Removing power from the solenoid	Applying power to the solenoid; remains locked while power is on.	Cannot be locked	Always unlocked
<p>Deadbolt operated by:</p> <ul style="list-style-type: none"> • Outside key • Inside thumb turn 			<p>Deadbolt and Latchbolt retracted simultaneously by:</p> <ul style="list-style-type: none"> • Inside knob/lever • Outside knob/lever when power is applied 		
Powered by 12V DC. temperature control module is not needed.					
LEL–Locked Fail Safe 	<ul style="list-style-type: none"> • Outside knob/lever when power is removed from the solenoid • Inside knob/lever. <p>Latchbolt is deadlocked by an auxiliary latch</p>	Applying power to the solenoid; remains locked while power is on.	Removing power from the solenoid	Cannot be locked	Always unlocked
<p>Deadbolt extended by:</p> <p>Inside thumb turn</p>			<p>Deadbolt retracted by:</p> <ul style="list-style-type: none"> • Inside thumb turn • Inside knob/lever retracts the deadbolt and latchbolt simultaneously • Outside lever when power is removed 		
Powered by 12V DC. temperature control module is not needed.					
LEU–Unlocked Fail Secure 	<ul style="list-style-type: none"> • Outside knob/lever when power is applied to the solenoid • Inside knob/lever. <p>Latchbolt is deadlocked by an auxiliary latch</p>	Removing power from the solenoid	Applying power to the solenoid; remains locked while power is on.	Cannot be locked	Always unlocked
<p>Deadbolt extended by:</p> <p>Inside thumb turn</p>			<p>Deadbolt retracted by:</p> <ul style="list-style-type: none"> • Inside thumb turn • Inside knob/lever retracts the deadbolt and latchbolt simultaneously • Outside knob/lever when power is applied 		
Powered by 12V DC. temperature control module is not needed.					

9KM IDH MAX® – SPECIFICATIONS

MECHANICAL

- Materials**— Internal parts are brass, zinc or corrosion-treated steel.
- Chassis**— 2 1/16" diameter to fit 2 1/8" diameter hole in door.
- Strike**— Brass or bronze, 4 7/8" x 1 1/4" x 3/32". Fits standard door frame cut out as specified in ANSI A115.1. Correct strike automatically supplied with unit.
Strike box supplied standard.
- Backset**— 2 3/4" standard, 3 3/4" and 5" available.
- Door thickness**— For doors 1 3/4" – 2 1/4"
- Installation**— Lock dimensions requires modified door prep ANSI A156.2
Series 4000, Grade 1 to mount housing.
- Latchbolt**— 9/16" throw.
- Die cast trim housing**— Dimensions: 10 3/8" H x 3 1/4" W x 1" D sloping down to 3/4".
- Knobs**— Diameter: 2 1/8" Projection on door: 2 7/8"
#4, #6 knobs: Material machined from brass or bronze.
- Lever handle**— Made from high-quality zinc alloy. Body is approximately 1 5/8" in diameter: Handle is approximately 4 3/4" in length (from center-line of chassis).
(Lever #14,15 conform to California Titles 19 and 24.)
- Finish**— **605**-bright brass, clear coated; **606**-satin brass, clear coated; **611**-bright bronze, clear coated; **612**-satin bronze, clear coated; **613**-oxidized satin bronze, oil rubbed
625-bright chromium plated; **626**-satin chromium plated; **690**-dark bronze.



93KM IDH MAX® Cylindrical

ELECTRONIC

- Maximum current draw:** 850 MilliAmps, for 50 milliseconds
- Typical current draw (hold condition):** 550 milliAmps
- Voltage:** 10.2 to 13.2 V
- Operating Temperature:**
Minimum/Maximum range **Inside:** 70° ± 4°F (21° ± 2°C) **Outside:** -31°F (-35°C) to +151°F (+66°C)



Magnetic Stripe Card Reader:

- Read Rate:** 5 inches per second to 50 inches per second.
- Card thickness:** ISO standard .030" ± .003 thick. Compliance to FCC, Canadian, and European EMC requirements; for interference FCC Class A digital apparatus.
- Magnetic Stripe adaptation:** Trim option that can accept other manufacturers cylinder.

Proximity Reader:

- ANSI/BHMA A156.25 compliant, Compatible with Motorola / Indala and HID proximity cards, ABA and Wiegand output
- Weatherproof bezel and gasket provide protection for outdoor use. (Usable in all environmental/exterior applications).
- Card Read Range:** 0 – 3 inches. Compliance to US FCC, Canadian FCC, and European EMC requirements
- ESD Protection:** 15 Kilo Volt

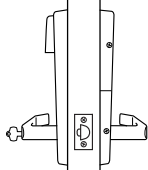
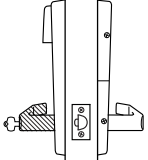
9KM/8KM IDH MAX® – HOW TO ORDER

93KM	7	DDEU	14	MS	STK	626	TL
Series	Core Housing	Function	Lever*/Knob Style	Trim* Style	Strike Package	Finishes*	Options
Lever 93KM– 2 3/4" 94KM– 3 3/4" 95KM– 5" Knob 83KM– 2 3/4" 84KM– 3 3/4" 85KM– 5"	0– keyless 7– 7 pin housing accepts all BEST cores	DDEU– elec- trically- unlocked DDEL– elec- trically- locked	Lever 14– curved return 15– contour angle return 16– curved no return Knob 4– round 6– tulip	MS– magnetic stripe PM– proximity Motorola PH– proximity HID	STK– 2 3/4" ANSI S3– 4 7/8" ANSI	605 606 611 612 613 618 619 625 626 690	8KM: BRK – breakaway knob KNL – knurled knob TAC – tactile knob 9KM: AL – abrasive lever LM – lost motion TL – tactile lever Note: specify inside (I), outside (O), or both (B) for AL, TL,TAC, KNL options Both 8KM & 9KM: SH – security head screws 3/4 – 3/4" throw latch 1300 – Integrated BAS1300/ LNL1300 reader electronic board (page 3)
		(page 7)	(page 11)	(page 11)			

* Handles and trim are made from a zinc alloy, and have been plated to be equivalent in appearance to the finishes listed.



9KM IDH MAX® – FUNCTIONS

Function	Latch	Outside Knob or Lever		Inside Knob or Lever	
	Operated by	Locked by	Unlocked by	Locked by	Unlocked by
DDEL—Locked 	<ul style="list-style-type: none"> Rotating the inside knob/lever, Rotating the outside knob/lever—only when power is off, Turning the key in the outside knob/lever. 	Applying 12 volts DC. The outside knob/lever remains locked only while power is on.	Switching off 12 volts DC	Cannot be locked	Always unlocked
Powered by 12V DC. Temperature control module (TCM) is not needed.					
DDEU—Unlocked 	<ul style="list-style-type: none"> Rotating the inside knob/lever, Rotating the outside knob/lever—only when power is on, Turning the key in the outside knob/lever. 	Switching off 12 volts DC	Applying 12 volts DC. The outside knob/lever remains unlocked only while power is off.	Cannot be locked	Always unlocked
Powered by 12V DC. Temperature control module (TCM) is not needed.					

Shading indicates a ridged lever/knob in a non-energized state.

40HW / 8KW / 9KW ELECTRIFIED LOCK INTRODUCTION

The 40HW, 8KW, and 9KW electromechanical locks provide fail-safe (electrically locked) and fail-secure (electrically unlocked) operation. They also provide a way to lock and unlock the door from a remote location for safety, security, or convenience through an individual switch, switch lock, relay, access control system, or other automatic control system. More importantly, these locks exhibit the same features and meet the same standards and specifications as our mechanical 40H mortise and 8K/9K heavy duty cylindrical locksets.

40HW ELECTRIFIED – SPECIFICATIONS

Types:

- 12 volts AC or DC — 0.60 amps
- 24 volts AC or DC — 0.45 amps
- **All EU functions:** Electrically Unlocked (Fail Secure)
- **All EL functions:** Electrically Locked (Fail Safe)

Approval Listings:

- UL listed for GYQS Electrically-controlled singlepoint locks or latches.
- This product has been approved by the California State Fire Marshal (CSFM) pursuant to section 13144.1 of the California Health and Safety Code.
- Approved by the city of New York Board of Standards and Appeals under calendar number 49-88-SA. See CSFM listing No. 4136-1175:101 for allowable values and/or conditions for use concerning material presented in this document. It is subject to re-examination, revisions and possible cancellation.

NOTE: All W-series locks require the use of a (TCM) Temperature Control Module. A TCM and TCM connector are supplied standard with every order.



**40HW Mortise
Electrically-Operated Lockset**

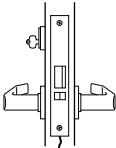
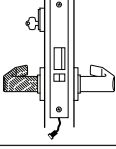
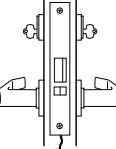
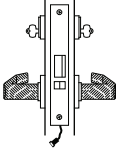
40HW ELECTRIFIED – HOW TO ORDER

45HW	7	NXEU	12	J	612	LH	RQE	
Series	Core Housing	Function	Lever Style	Trim Style	Finishes †	Handing	Options †	
45HW– lever 47HW– lever high security	45HW: 0– keyless or less cylinder, 7– 7 pin 47HW: 7– 7 pin (accepts 5C cores only)	45HW/47HW: DEL – single key latch, fail safe DEU – single key latch, fail secure WEL – double key latch, fail safe WEU – double key latch, fail secure TDEL – single key deadbolt, fail safe TDEU – single key deadbolt, fail secure TWEL – double key deadbolt, fail safe TWEU – double key deadbolt, fail secure 45HW only: NXEL – keyless, latch, fail safe NXEU – keyless, latch, fail secure LEL – keyless, deadbolt, fail safe LEU – keyless, deadbolt, fail secure (pages 8–9)	Levers: 3 – solid tube/ return 12 – solid tube/ no return 14 – curved return 15 – contour/ angle return 16 – curved/no return 17 – gullwing no return Knobs: 4 – round	45HW: H – 2 3/4" flat J – wrought M – forged N – forged concealed cylinder S – 3 1/2" flat R – 2 3/4" concave 47HW: M – forged	45HW: 605 606 611 612 613 618 619 625 626 690 47HW: 626 630	RH RHRB LH LHRB	AL – abrasive lever IDH – integrated door hardware w/RQE & DS LL – lead lined LS – latch status DS – door status RQE – request to exit SH – security head screws TL – tactile lever Thick Door – specify thickness if other than 1 3/4" (1 3/4" min. x 4" max)	
							Lock Voltage	Must specify: 24V or 12V
							(page 3)	

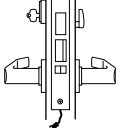
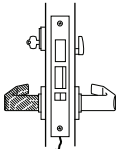
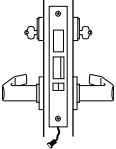
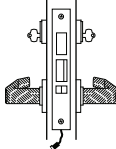
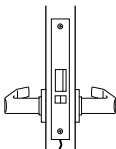
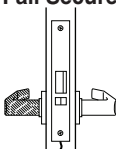
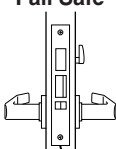
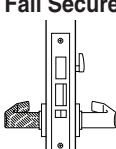
* "N" trim **not** available on double keyed functions. **Must specify key mark and number of keys or designate L/C for less core.

† See H Series catalog for details.

40HW ELECTRIFIED – FUNCTIONS

Function	Latch	Outside Knob or Lever		Inside Knob or Lever	
	Operated by	Locked by	Unlocked by	Locked by	Unlocked by
DEL–Locked Fail Safe 	<ul style="list-style-type: none"> • Outside knob/lever when power is removed from the solenoid • Outside key • Inside knob/lever. Latchbolt is deadlocked by an auxiliary latch 	Applying power to solenoid; remains locked while power is on	Removing power from solenoid	Cannot be locked	Always unlocked
Powered by 12 or 24 volts AC/DC & 0.60 or 0.45 amps, continuous duty. Temperature control module (TCM) included.					
DEU–Unlocked Fail Secure 	<ul style="list-style-type: none"> • Outside knob/lever when power is applied to the solenoid • Outside key • Inside knob/lever. Latchbolt is deadlocked by an auxiliary latch 	Removing power from solenoid	Applying power to solenoid; remains unlocked while power is on	Cannot be locked	Always unlocked
Powered by 12 or 24 volts AC/DC & 0.60 or 0.45 amps, continuous duty. Temperature control module (TCM) included.					
WEL–Locked Fail Safe 	<ul style="list-style-type: none"> • Inside and Outside knob/lever when power is removed from the solenoid • Inside/Outside key Latchbolt is deadlocked by an auxiliary latch 	Applying power to solenoid; remains locked while power is on	Removing power from solenoid	Applying power to the solenoid; remains locked while power is on	Removing power from the solenoid
Temperature control module (TCM) included. Powered by 12 or 24 volts AC/DC & 0.60 or 0.45 amps, continuous duty. Applying voltage locks inside & outside knobs/levers simultaneously.					
WEU–Unlocked Fail Secure 	<ul style="list-style-type: none"> • Inside and Outside knob/lever when power is applied to the solenoid • Inside/Outside key Latchbolt is deadlocked by an auxiliary latch 	Removing power from solenoid	Applying power to solenoid; remains unlocked while power is on	Removing power from solenoid	Applying power to solenoid; remains unlocked while power is on
Powered by 12 or 24 volts AC/DC & 0.60 or 0.45 amps, continuous duty. Removing voltage locks inside & outside knobs/levers simultaneously. Temperature control module (TCM) included.					

40HW ELECTRIFIED – FUNCTIONS (CONTINUED)

Function	Latch	Outside Knob or Lever		Inside Knob or Lever	
	Operated by	Locked by	Unlocked by	Locked by	Unlocked by
TDEL–Locked Fail Safe 	<ul style="list-style-type: none"> • Outside key • Outside knob/lever when power is removed from the solenoid. <p>Latchbolt is deadlocked by an auxiliary latch</p>	Applying power to solenoid; remains locked while power is on Deadbolt operated by: <ul style="list-style-type: none"> • Outside key • Inside thumb turn 	Removing power from solenoid Deadbolt and latchbolt retracted simultaneously by: <ul style="list-style-type: none"> • Inside knob/lever • Outside knob/lever when power is removed. 	Cannot be locked	Always unlocked
Powered by 12 or 24 volts AC/DC & 0.60 or 0.45 amps, continuous duty. Temperature control module (TCM) included.					
TDEU–Unlocked Fail Secure 	<ul style="list-style-type: none"> • Outside key • Outside knob/lever when power is applied to the solenoid. <p>Latchbolt is deadlocked by an auxiliary latch</p>	Removing power from solenoid Deadbolt operated by: <ul style="list-style-type: none"> • Outside key • Inside thumb turn 	Applying power to solenoid; remains unlocked while power is on Deadbolt and latchbolt retracted simultaneously by: <ul style="list-style-type: none"> • Inside knob/lever • Outside knob/lever when power is applied. 	Cannot be locked	Always unlocked
Powered by 12 or 24 volts AC/DC & 0.60 or 0.45 amps, continuous duty. Temperature control module (TCM) included.					
TWEL–Locked Fail Safe 	<ul style="list-style-type: none"> • Outside & inside key • Outside & Inside knob/lever when power is removed from the solenoid. <p>Latchbolt is deadlocked by an auxiliary latch</p>	Applying power to solenoid; remains locked while power is on Deadbolt operated by: <ul style="list-style-type: none"> • Outside or inside key • Outside & Inside knob/lever when power is removed from the solenoid 	Removing power from solenoid Applying voltage locks inside & outside knobs/levers simultaneously.	Applying power to solenoid; remains locked while power is on Temperature control module (TCM) included.	Removing power from solenoid Applying power to solenoid; remains unlocked while power is on
Powered by 12 or 24 volts AC/DC & 0.60 or 0.45 amps, continuous duty. Applying voltage locks inside & outside knobs/levers simultaneously.					
TWEU–Unlocked Fail Secure 	<ul style="list-style-type: none"> • Outside & inside key • Outside & Inside knob/lever when power is applied to the solenoid. <p>Latchbolt is deadlocked by an auxiliary latch</p>	Removing power from solenoid Deadbolt operated by: <ul style="list-style-type: none"> • Outside or inside key • Outside & Inside knob/lever when power is applied to the solenoid 	Applying power to solenoid; remains unlocked while power is on Temperature control module (TCM) included.	Removing power from solenoid Applying power to solenoid; remains unlocked while power is on	Applying power to solenoid; remains unlocked while power is on Temperature control module (TCM) included.
Powered by 12 or 24 volts AC/DC & 0.60 or 0.45 amps, continuous duty. Removing voltage locks inside & outside knobs/levers simultaneously.					
NXEL–Locked Fail Safe 	<ul style="list-style-type: none"> • Outside knob/lever when power is applied to the solenoid • Inside knob/lever. <p>Latchbolt is deadlocked by an auxiliary latch</p>	Applying power to solenoid; remains locked while power is on	Removing power from solenoid	Cannot be locked	Always unlocked
Powered by 12 or 24 volts AC/DC & 0.60 or 0.45 amps, continuous duty. Temperature control module (TCM) included.					
NXEU–Unlocked Fail Secure 	<ul style="list-style-type: none"> • Outside knob/lever when power is applied to the solenoid • Inside knob/lever. <p>Latchbolt is deadlocked by an auxiliary latch</p>	Removing power from solenoid	Applying power to solenoid; remains unlocked while power is on	Cannot be locked	Always unlocked
Powered by 12 or 24 volts AC/DC & 0.60 or 0.45 amps, continuous duty. Temperature control module (TCM) included.					
LEL–Locked Fail Safe 	<ul style="list-style-type: none"> • Outside knob/lever when power is removed from the solenoid • Inside knob/lever. <p>Latchbolt is deadlocked by an auxiliary latch</p>	Applying power to the solenoid; remains locked while power is on Deadbolt extended by: Inside thumb turn	Removing power from the solenoid Deadbolt retracted by: <ul style="list-style-type: none"> • Inside thumb turn • Inside knob/lever retracts the deadbolt and latchbolt simultaneously • Outside knob/lever when power is removed 	Cannot be locked	Always unlocked
Powered by 12 or 24 volts AC/DC & 0.60 or 0.45 amps, continuous duty. Temperature control module (TCM) included.					
LEU–Unlocked Fail Secure 	<ul style="list-style-type: none"> • Outside knob/lever when power is applied to the solenoid • Inside knob/lever. <p>Latchbolt is deadlocked by an auxiliary latch</p>	Removing power from the solenoid Deadbolt extended by: Inside thumb turn	Applying power to the solenoid; remains unlocked while power is on Deadbolt retracted by: <ul style="list-style-type: none"> • Inside thumb turn • Inside knob/lever retracts the deadbolt and latchbolt simultaneously • Outside knob/lever when power is applied 	Cannot be locked	Always unlocked
Powered by 12 or 24 volts AC/DC & 0.60 or 0.45 amps, continuous duty. Temperature control module (TCM) included.					

ATTENTION: Locksets that secure both sides of the door are controlled by building codes and the Life Safety Code®. In an emergency exit situation, failure to quickly unlock the inside lever could be hazardous or even fatal.

8KW & 9KW ELECTRIFIED LOCKS – SPECIFICATIONS

Types:

- 12 volts AC/DC when used with supplied TCM — 0.50 amps
- 24 volts AC/DC when used with supplied TCM — 0.18 amps
- **All EU functions:** Electrically Unlocked (Fail Secure)
- **All EL functions:** Electrically Locked (Fail Safe)

Approval Listings:

- UL listed for GYQS Electrically-controlled singlepoint locks or latches.
- This product has been approved by the California State Fire Marshal (CSFM) pursuant to section 13144.1 of the California Health and Safety Code.
- Approved by the city of New York Board of Standards and Appeals under calendar number 730-89-SA. See CSFM listing No. 4136-1175:103. It is subject to re-examination, revision and possible cancellation.



93KW Cylindrical Electrically-Operated Lockset

NOTE: 8KW/9KW Electromechanical locksets are intended for use on minimum 1 3/4" thick doors. Consult your local Stanley office when installing 8KW/9KW electromechanical locksets on doors less than 1 3/4" thick.

NOTE: All W-series locks require the use of a (TCM) Temperature Control Module. A TCM and TCM connector are supplied standard with every order.

8KW & 9KW ELECTRIFIED LOCKS – HOW TO ORDER

93KW	7	DEU	14	K	STK	626	TL
Series	Core Housing	Function	Knob/Lever Style	Trim Style	Strike Package	Finishes*	Options
8KW: 83KW– 2 3/4" 84KW– 3 3/4" 85KW– 5" 9KW: 93KW– 2 3/4" 94KW– 3 3/4" 95KW– 5"	0– keyless 7– 7 pin housing accepts all BEST cores	DEU– electrically-unlocked DEL– electrically-locked (See Below)	8KW: 4– round 6– tulip 9KW: 14– curved return 15– contour angle return 16– curved no return	C– 3" convex D– 3 1/2" convex K– 3" convex—no ring L– 3 1/2" convex—no ring	STK– 2 3/4" ANSI S3– 4 7/8" ANSI	605 606 611 612 613 618 619 625 626 690	8KW only: BRK– breakaway knob KNL– knurled knob TAC– tactile knob 9KW only: AL– abrasive lever LM– lost motion RQE– request-to-exit TL– tactile lever Note: specify inside (I), outside (O), or both (B) for AL, TL, TAC, KNL options 8KW & 9KW: LL– lead lined SH– security head screws 3/4– 3/4" throw latch <div style="border: 1px solid black; padding: 5px; display: inline-block;">Lock Voltage</div> Must specify: 24V or 12V (page 3)

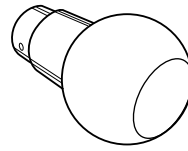
* Handles are made from a zinc alloy, and have been plated to be equivalent in appearance to the finishes listed.

8KW & 9KW ELECTRIFIED LOCKS – FUNCTIONS

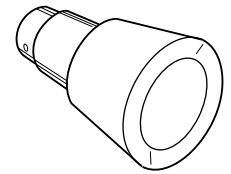
Function	Latch		Outside Knob or Lever		Inside Knob or Lever	
	Operated by	Locked by	Locked by	Unlocked by	Locked by	Unlocked by
DEL-Locked 	<ul style="list-style-type: none"> • Rotating the inside knob/lever • Rotating the outside knob/lever—only when power is off • Turning the key in the outside knob/lever. 	Applying power to the solenoid; remains locked while power is on.	Removing power from the solenoid	Cannot be locked.	Always unlocked.	
Locks are powered by 12 or 24 volts AC/DC at .50amps max. or 0.18 amps. Temperature control module (TCM) included						
DEU-Unlocked 	<ul style="list-style-type: none"> • Rotating the inside knob/lever, • Rotating the outside knob/lever—only when power is on, • Turning the key in the outside knob/lever. 	Removing power from the solenoid	Applying power to the solenoid; remains locked while power is on.	Cannot be locked.	Always unlocked.	
Locks are powered by 12 or 24 volts AC/DC at 500mA max. or 0.18 amps. Temperature control module (TCM) included						

Shading indicates a ridged lever/ knob in a non-energized state.

KNOB STYLES

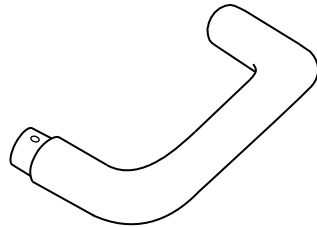


#4 knob

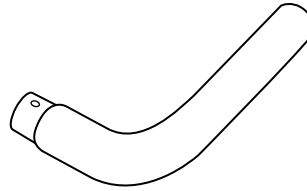


#6 knob

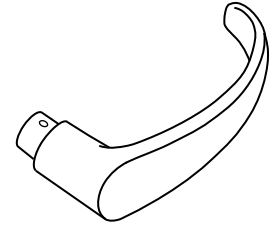
LEVER STYLES



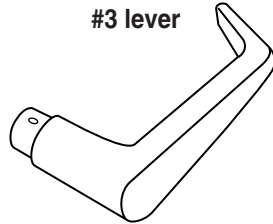
#3 lever



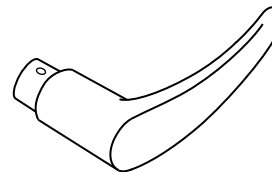
#12 lever



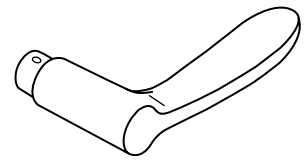
#14 lever



#15 lever

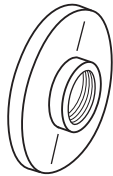


#16 lever



#17 lever

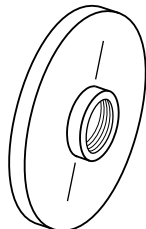
MORTISE ROSE TRIMS



H rose



R rose

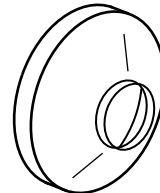


S rose

CYLINDRICAL ROSE TRIMS



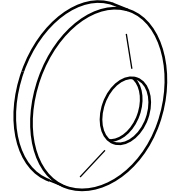
C rose



D rose

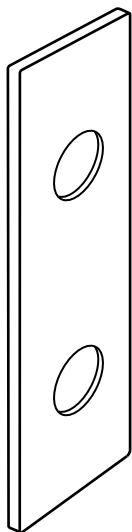


K rose

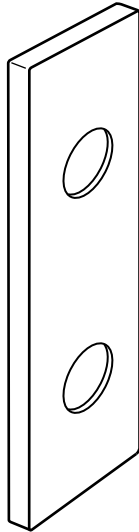


L rose

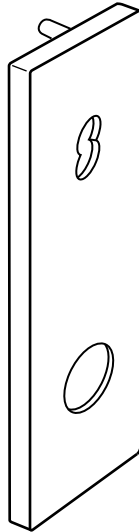
ESCUTCHEON TRIM VARIATIONS



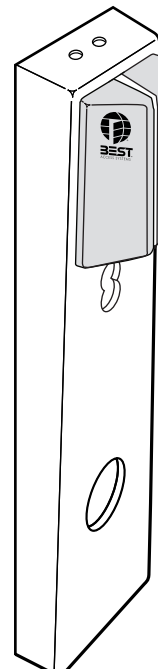
J escutcheon



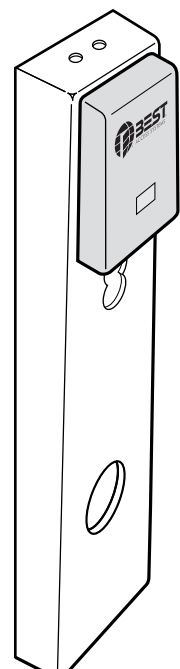
M escutcheon



N escutcheon



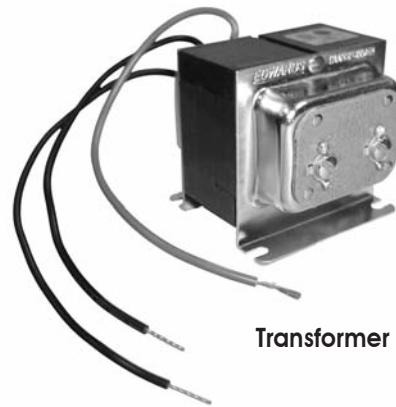
MS escutcheon



Prox escutcheon

ELECTRIFIED ACCESSORIES**8W599****Features:**

- Offers exceptionally high power for its compact size
- UL listed
- Thermally fused
- Convenient 4 point mounting provision allows rapid installation in a standard $\frac{1}{2}$ " knockout
- Foot-mounts for surface installation
- Pre-stripped pigtails provided for quick primary connection
- Secondary connection by screw terminals
- Sturdy nylon bobbin construction
- Cadmium plated finish

Specifications:**Primary voltage:** 120 VAC (Wire Leads)**Secondary voltage:** 24 VAC (Screw Terminals)**Secondary VA:** 40 volts-amperes**Dimensions:** $2 \frac{1}{4}$ " x $2 \frac{1}{8}$ " x $2 \frac{15}{16}$ "**To order specify:** 8W599**Transformer****Function/Application:**

Transforms 120 volts AC to 24 volts AC. (To get 24 volts DC, use with 8WCON, AC to DC converter.) Typically used as a power supply for electrically-operated locks.

8WCON**Features:**

- 400 Ampere surge capability
- Electrically isolated base
- UL recognized
- Single-phase, full wave bridge

Specifications:**Average forward current:** 25 amps**Case:** Plastic case with an electrically isolated aluminum base**Polarity:** Terminal designation embossed on case: +DC output, -DC output, AC not marked**Mounting position:** Bolt down. Gain the highest heat transfer efficiency through the surface opposite the terminals. Use silicone heat sink compound on mounting surface for maximum heat transfer.**Terminals:** Suitable for "fast-on" connections. Readily solderable and corrosion resistant. Soldering is recommended for applications greater than 15 amperes.**Mounting torque:** 20 inch-pounds maximum**Case size:** 1.030 x 1.030 inches**Temperature range:** -85° to 347°F (-65° to + 175°C)**To order specify:** 8WCON**AC to DC Converter
Full wave bridge rectifier****Function/Application:**

Converts AC (alternating current) to DC (direct current) for locking circuit applications. (Typically used with 8W599 transformer.)

8WBU-1-A / 8WBU-1-N**Features:**

- Positive "snap" feedback
- Industrial-grade switch designed for rugged control applications
- Factory assembled with trimplate
- Standard or narrow plate available
- $1 \frac{3}{16}$ " dia. mushroom head—red in color

Specifications:**Electrical rating:** 28VDC or 115 VAC, 10A resistive, 5A inductive, 3A lamp load (see terminology on the back cover)**Switch type:** SPST-NO-DB, FORM-X contacts, 25,000 cycles at full load, 50,000 cycles mechanical life**Mounting hole:** $\frac{5}{8}$ " (.625) dia.**Switch dim.:** 1.187 dia. x 1.528 overall length**Std. wall plate:** $2 \frac{3}{4}$ " x $4 \frac{1}{2}$ "**Narrow wall plate:** $1 \frac{1}{2}$ " x $4 \frac{1}{2}$ "**Material/finish:** Satin stainless steel**Wire leads:** Two 6" long 20 AWG insulated wire leads**To order specify:** 8WBU-1-A standard plate 8WBU-1-N narrow plate**8WBU-1-A
Standard plate****8WBU-1-N
Narrow plate****Function/Application:**

Normally open push-button switch provides momentary switch closure when pressed. Typically used to momentarily energize electrified locks or strikes or used as a request-to-exit switch on access control systems.

Features

- All circuitry completely sealed

Specifications

Wire leads:

Input– 24 AWG – Stranded wire with PVC insulation (approx. 60" in length)

Output– 24 AWG – Stranded wire with Teflon insulation (approx. 2.6" in length)

Input: 12 or 24 volts AC or DC @ 0.50 or 0.18 amp

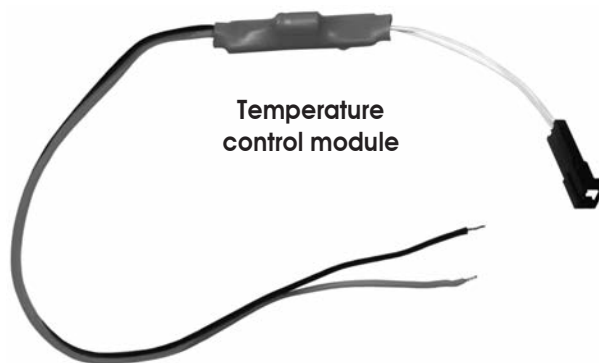
Output: Voltage out @ 1 amp maximum for 0.5 seconds then 30% of voltage out for 5 seconds

Output protection: Short circuit current limiting set at one (1) amp.

Operating temp: -4 to 158°F (-20 to 70°C)

Size: 1/2" x 2" x 1/2"

To order specify: 8WTTCM



Function/Application

A temperature control module (TCM) reduces the amount of current flow to a lockset one second after energizing, thereby lowering the temperature of the lockset trim. A (TCM) also converts AC power to DC power and should be used on all electrified mortise and cylindrical locksets.

Note: The TCM is not used with any IDH-Max function.

TERMINOLOGY

Closed– A state in which a connection exists between the common terminal and another terminal on the switch. See *Open* also.

Common terminal– A terminal on a switch whose contact can be connected to one or more terminals on the switch.

Door status– A switch that monitors whether the door is open or closed. This switch is used to detect a forced entry, or a door that is propped open.

Inductive load– An electrical device such as a motor, relay, or solenoid. **Note:** this type of load can cause arcing across switch contacts and may burn the contacts. See *Resistive load* and *Lamp load* also.

Latchbolt status– A switch that monitors whether the latch is engaged or retracted. This switch is used to detect a forced entry, or a latch that has been taped open.

Lamp load – An electrical device that produces light using a tungsten filament, such as an incandescent light bulb. **Note:** this type of load can cause surges of current upon contact closure. This may cause the contacts to weld together. See *Inductive load* and *Resistive load* also.

Maintained– Remaining in a given state until the switch lever or button is actuated. Actuating the switch lever or button causes the switch to change to another maintained state.

Momentary– Remaining in a given state only as long as an external force is applied to the switch lever or button.

NC– (Normally Closed) Switch contacts that are closed as long as no external force is applied to the switch lever or button.

NO– (Normally Open) Switch contacts that are open as long as no external force is applied to the switch lever or button.

Open– A state in which no connection exists between the common terminal or any other terminal on the switch.

Pole– The number of independent circuits in a switch. For example, a double-*pole*, single-throw switch can control two separately powered motors. See *Throw* also.

Resistive load– An electrical device, such as a heater, having none of the characteristics of an inductive or lamp load. This type of load is the least severe on the switch because only a small amount of arcing occurs when the switch contacts open and close. See *Inductive load* and *Lamp load* also.

RQE– Request-to-exit. A switch that allows the user to exit without setting off an alarm. Turning the inside knob or lever actuates the switch and, when wired to an alarm system, sends a signal to disable or sound an alarm, start a timer, etc.

Throw– The number of circuits, or contacts controlled by each pole. For example, a single-pole, double-*throw* switch can control a motor with two contacts—a forward contact, and a reverse contact. See *Pole* also.

1300– Integrated BAS1300/LNL1300 reader electronics board or (ISC) Intelligent System Controller is embedded behind the escutcheon secured and out of site. Functions with B.A.S.I.S./Mercury on-line equipment only.

ELECTRIC SWITCH LOCK – INTRODUCTION

Stanley Security Solutions offers a line of electric switch locks available in various “on-off” and “momentary” keyed switch functions. Circuitry variations are available in single, double and triple pole with varied voltage and amperage ratings. Units may be keyed into any BEST system. The BEST interchangeable core offers versatility and adaptability for new and existing electrical controls, panels, machines, etc.

Features

- Double D lock cylinder prevents slipping and turning
- Screw terminals on all switch locks (except the 1W7A1) provides ease of installation
- All switches are UL recognized or listed

Note on functionality: Switch lock keys can only be removed in the 12 o'clock position.

How to select a switch lock

1. Determine the electrical requirements for the device being controlled:

- Voltage** (for example: 115 VAC or 24 VDC)
- Current or horsepower** (for example: 6 amps or 1/2 horsepower)
- Type of load**
 - Resistive (for example, heater elements)
 - Inductive (for example, motors, large transformers)
 - Lamp (for example, incandescent lights)

2. Determine the switch configuration (poles and throws) and key removal condition:

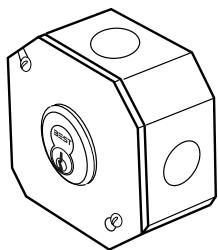
- Poles** To determine the number of poles, find how many wires from the power source need to be switched on and off by the switch lock.
- Throws** To determine the number of throws, find how many wires to the device the switch needs to control. For example, if a switch needs two different “on” conditions (low and high speed), two throws are needed. Or if the device is simply an “on-off” type (only one wire), you need one throw.

Note: A switch throw may be left unwired and used as an “off” condition.

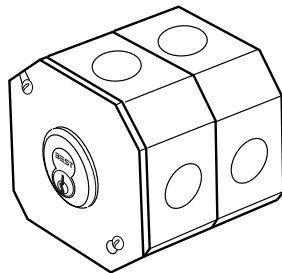
- Key removal** To determine the key removal condition, ask the question, “When the key is removed, should the switch be “off”, or could the switch be either “on” or “off” ?” Although the key can only be removed in the 12 o'clock position, the switch itself may be left in two or three positions. Check each switch lock for key removal switch positions.

3. Use the information collected and find the switch lock that best meets the requirements. Refer to the following catalog pages for a description of each switch lock. If environmental conditions make it necessary that the switch lock be housed in an electrical box, see the **Optional boxes** (above) for the box that best suits the switch lock and your application.

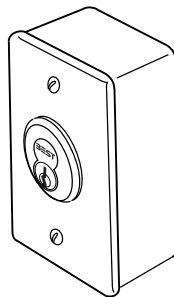
OPTIONAL BOXES



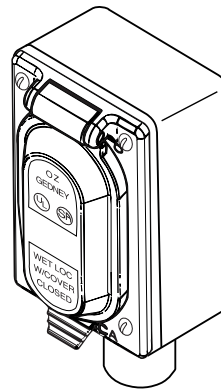
OC1
Standard octagon
center mount
3 1/2" x 3 1/2" x 1 5/8"



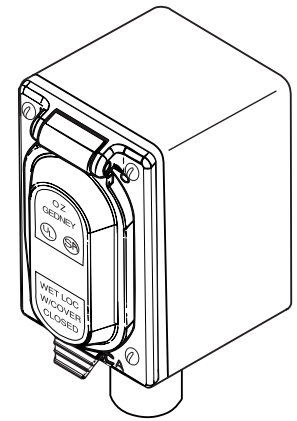
OC2
Deep octagon
offset mount
3 1/2" x 3 1/2" x 3 1/4"



INT
Interior box
4" x 2 1/8" x 1 7/8"



SWR
Standard weather
resistant box
4 5/8" x 2 7/8" x 2 1/4"



DWR
Deep weather
resistant box
4 5/8" x 2 7/8" x 3"

HOW TO ORDER – 1W ELECTRIC SWITCH LOCK

1W	7	B1	626	SWR	
Series	Core Housing	Function	Finishes	Box	
1W	7- 7 pin housing accepts all BEST cores	see pages 15-19	605 611 613 622 626	606 612 619 625 690	see above



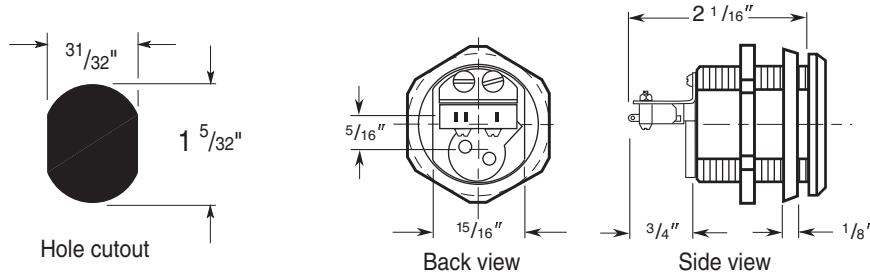
TW ELECTRIC SWITCH LOCKS

1W7A1

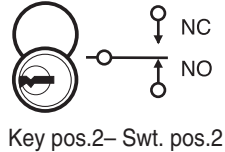
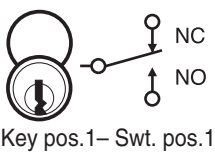
Contacts Silver or gold flash
Contact rating 28 VDC, 10 amps resistive
 28 VDC, 3 amps inductive, lamp
 125 VAC, 10.1 amps resistive
 250 VAC, 10.1 amps resistive
Horsepower rating 125 VAC, 1/4 HP
Operating temperature -85°F to +257°F (-65° to +125°C)
Switch type SPDT (Single pole-double throw)
Switch lock action Maintained (on-on)
Number of switches per assembly One



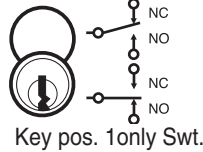
1W7A1



Key & switch positions



Remove key



Optional boxes

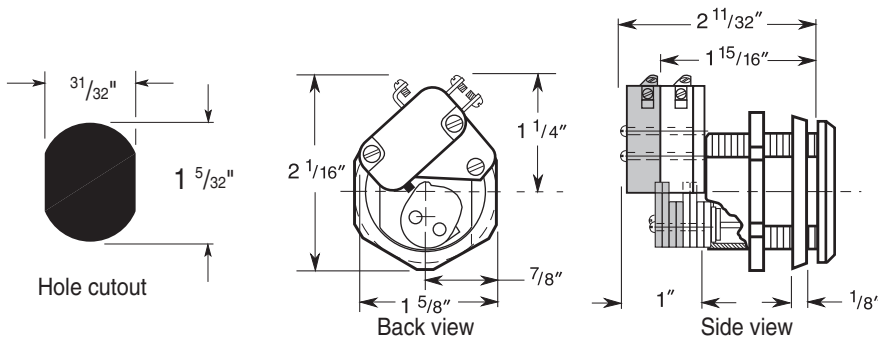
- DWR
- INT
- OC1
- OC2

1W7B1 & 1W7J1

Contact rating 30 VDC, 15 amps, resistive
 125 VDC, 0.6 amps, resistive
 250 VDC, 0.3 amps, resistive
 125 VAC, 15 amps, resistive
 25 VAC, 5 amps, lamp
 250 VAC, 15 amps, resistive
Horsepower rating 125–250 VAC, 1/2 HP
Operating temperature up to +176°F (+80°C)
Switch type SPDT (Single pole-double throw)
Switch lock action Maintained (on-on)
Number of switches per assembly 1W7B1: One 1W7J1: Two

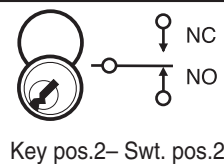
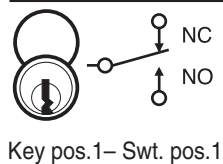


1W7B1—One switch

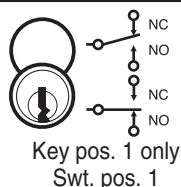


The shaded area shows the additional 1W7J1 switch and cam length.

Key & switch positions



Remove key



Optional boxes

- OC1 DWR
- OC2 INT
- SWR (1W7B1 only)



1W7J1—Two switches

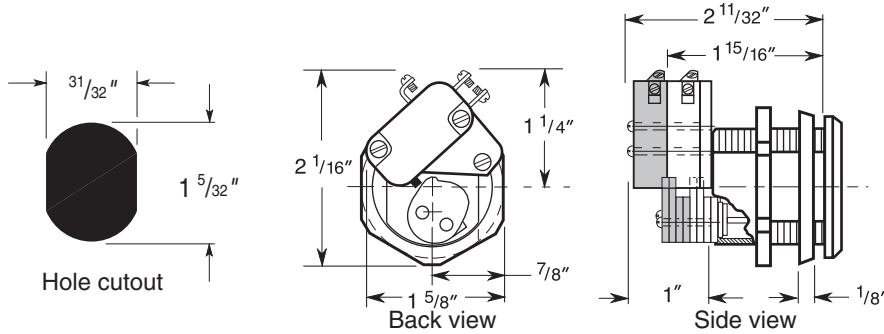
1W ELECTRIC SWITCH LOCKS

1W7B2 & 1W7J2

Contact rating	30 VDC, 15 amps, resistive 125 VDC, 0.6 amps, resistive 250 VDC, 0.3 amps, resistive 125 VAC, 15 amps, resistive 125 VAC, 5 amps, lamp 250 VAC, 15 amps, resistive
Horsepower rating	125–250 VAC, 1/2 HP
Operating temperature	up to +176°F (+80°C)
Switch type	SPDT (Single pole-double throw)
Switch lock action	Maintained (on-on)
Number of switches per assembly	1W7B2: One 1W7J2: Two



1W7B2—One switch



The shaded area shows the additional 1W7J2 switch and cam length.

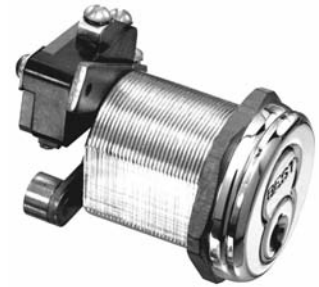
Key & switch positions	Remove key	Optional boxes
<p>Key pos. 1— Swt. pos. 1</p>	<p>Key pos. 2 Swt. pos. 2 (360°CCW)</p>	<p>OC1 DWR OC2 INT SWR (1W7B2 only)</p>
<p>Key pos. 1 and 2 Swt. pos. 1 and 2</p>		



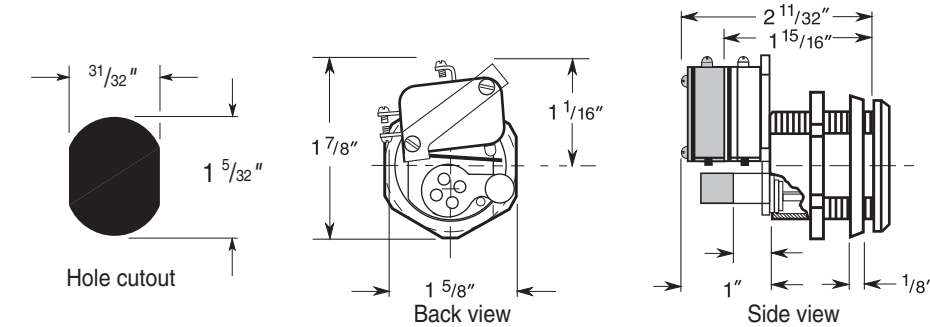
1W7J2—Two switches

1W7B3 & 1W7J3

Contact rating	30 VDC, 15 amps, resistive 125 VDC, 0.6 amps, resistive 250 VDC, 0.3 amps, resistive 125 VAC, 15 amps, resistive 125 VAC, 5 amps, lamp 250 VAC, 15 amps, resistive
Horsepower rating	125–250 VAC, 1/2 HP
Operating temperature	up to +176°F (+80°C)
Switch type	SPDT (Single pole-double throw)
Switch lock action	Momentary (on-on)
Number of switches per assembly	1W7B3: One 1W7J3: Two

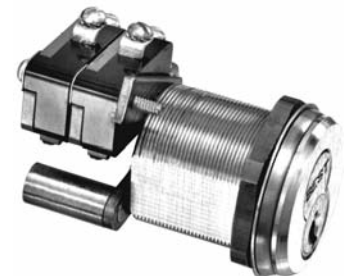


1W7B3—One switch



The shaded area shows the additional 1W7J3 switch and cam length.

Key & switch positions	Remove key	Optional boxes
<p>Key pos. 1— Swt. pos. 1</p>	<p>Key pos. 2— Swt. pos. 2</p>	<p>OC1 DWR OC2 INT SWR (1W7B3 only)</p>
<p>Key pos. 1— Swt. pos. 1</p>		



1W7J3—Two switches

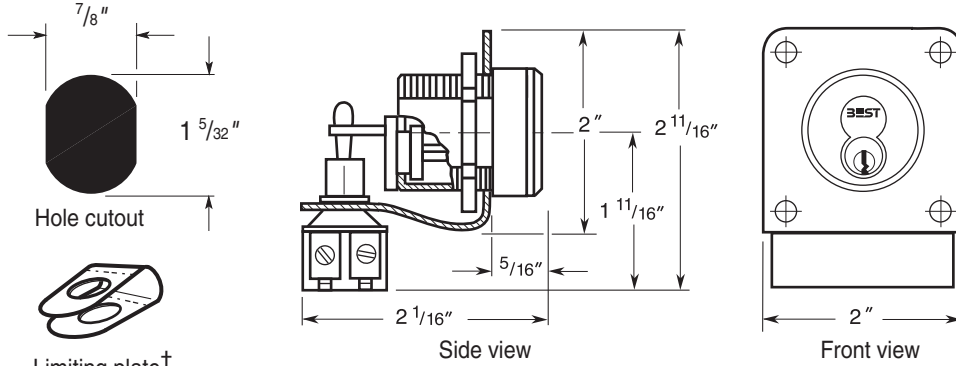
1W ELECTRIC SWITCH LOCKS

1W7D2

Contact rating110 VAC or VDC, 16 amps, resistive
 220 VAC or VDC, 8 amps, resistive
Horsepower rating1 HP @ 125–250 VAC or VDC
Operating temperature0°F to +150°F (-18°C to +66°C)
Switch typeDPST (Double pole-single throw)
Switch lock actionMaintained (off-on)
Number of switches per assemblyOne



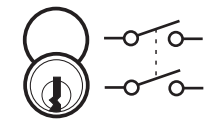
1W7D2



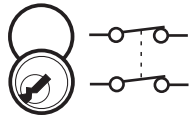
Key & switch positions

Remove key

Optional boxes



Key pos. 1– Swt. pos. 1



Key pos. 2– Swt. pos. 2



Key pos. 1 only
Swt. pos. 1 and 2†

OC2 DWR
INT SWR

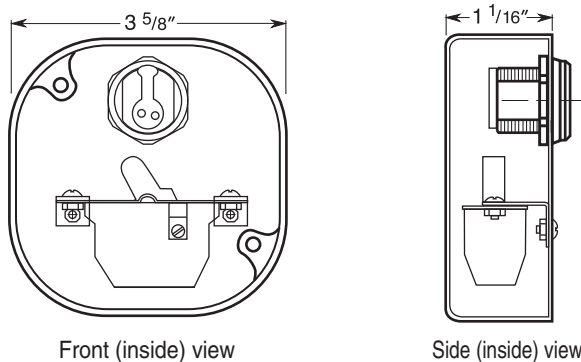
†Installing the limiting plate limits key removal to switch position 1 or 2. The key is always removed in the vertical position (key position 1).

1W7C2

Contact rating110 VAC or VDC, 10 amps, lamp
 220 VAC or VDC, 5 amps, resistive
Operating temperature-40°F to +150°F (-40° to +65°C)
Switch typeSPST (Single pole-single throw)
Switch lock actionMaintained (off-on)
Number of switches per assemblyOne



1W7C2



Key & switch positions

Remove key

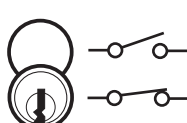
Optional boxes



Key pos. 1– Swt. pos. 1



Key pos. 2– Swt. pos. 2



Key pos. 3 only
Swt. pos. 1 and 2

OC1
OC2

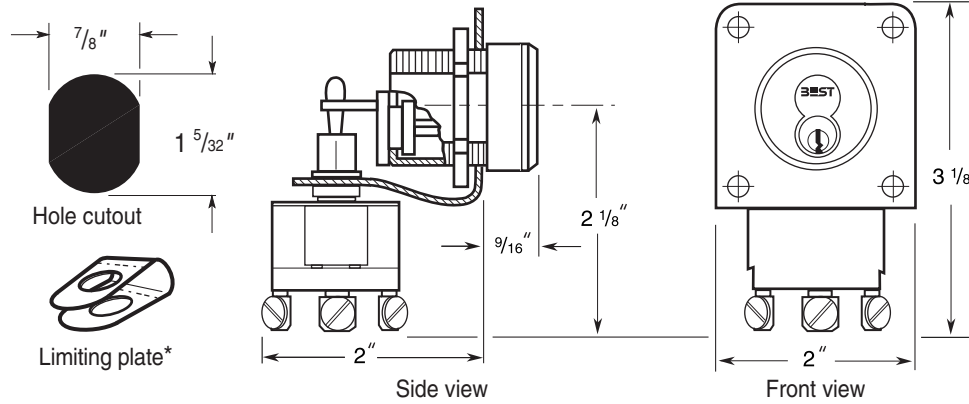
1W ELECTRIC SWITCH LOCKS

1W7E2

Contact rating	110 VAC, 15 amps, resistive 220 VAC, 10 amps, resistive
Horsepower rating	125–250 VAC or VDC, 3/4 HP; 1, 2, or 3 phase
Operating temperature	0 to +150°F (-18°C to 66°C)
Switch type	TPDT (Triple pole-double throw)
Switch lock action	Maintained Momentary (on-center off-on)
Number of switches per assembly	One

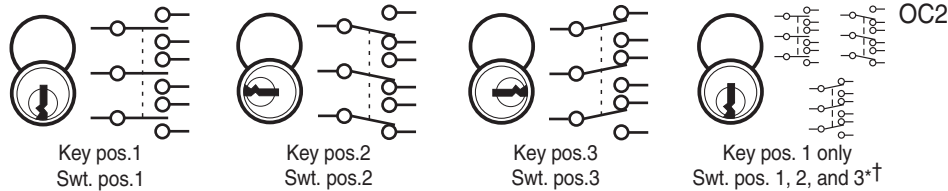


1W7E2



Key & switch positions

Remove key Opt. box



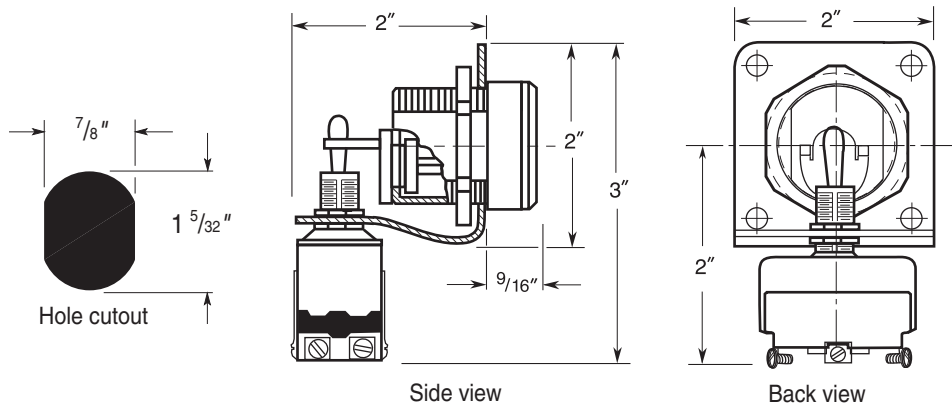
*Installing the limiting plate limits key removal to switch position 2, or 3. The key is always removed in the vertical position (key position 1). The limiting plate is available for 1W7E2 only.

1W7K4

Contact rating	110 VAC, 15 amps, resistive 220 VAC, 10 amps, resistive
Horsepower rating	250 VAC, 1/2 HP
Operating temperature	up to +221°F (+105°C)
Switch type	DPDT (Double pole-double throw)
Switch lock action	Momentary (on-center off-on)
Number of switches per assembly	One

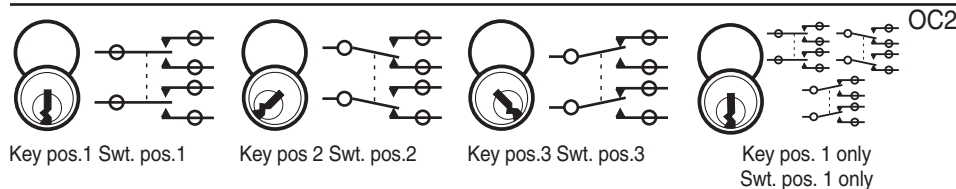


1W7K4



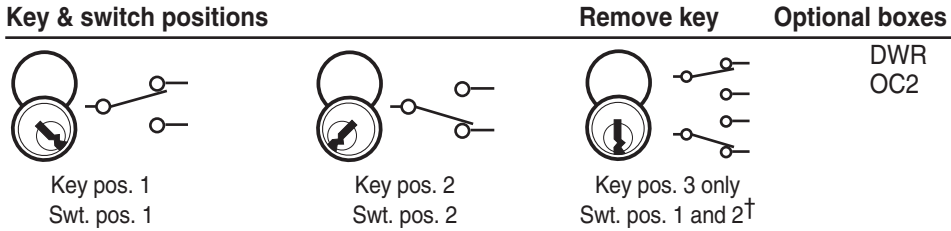
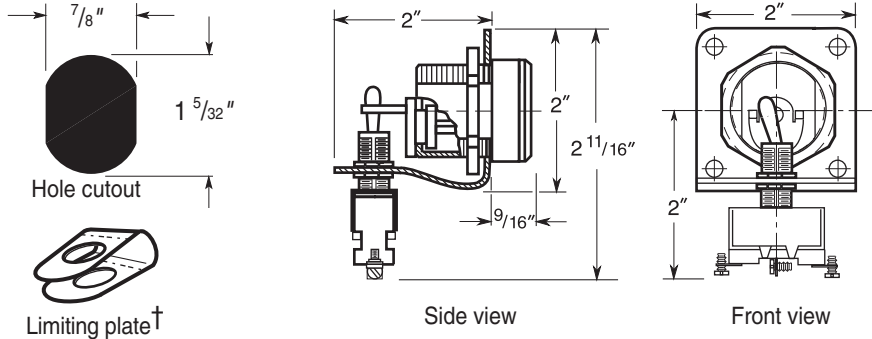
Key & switch positions

Remove key Opt. boxes



1W ELECTRIC SWITCH LOCKS 1W7L2

Contact rating110 VAC or VDC, 12 amps, resistive
220 VAC or VDC, 6 amps, resistive
Operating temperatureup to +221°F (+105°C)
Switch typeSPDT (Single pole-double throw)
Switch lock actionMaintained (on-on)
Number of switches per assemblyOne



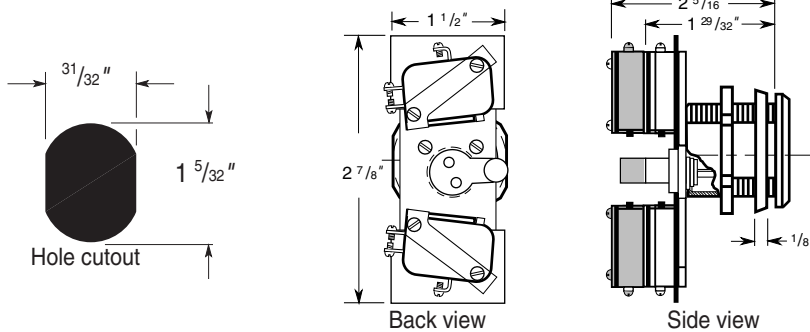
†Installing the limiting plate limits key removal to switch position 1 or 2. The key is always removed in the vertical position (key position 3).

1W7P4 & 1W7R4

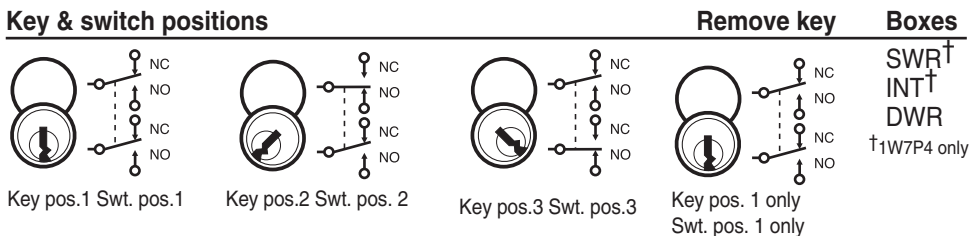
Contact rating30 VDC, 15 amps, resistive
125 VDC, 0.6 amps, resistive
250 VDC, 0.3 amps, resistive
125 VAC, 15 amps, resistive
125 VAC, 5 amps, lamp
250 VAC, 15 amps, resistive
Horsepower rating125–250 VAC, 1/2 HP
Operating temperatureup to +176°F (+80°C)
Switch typeSPDT (Single pole-double throw)
Switch lock actionMomentary (on-on)
Number of switches per assembly1W7P4: Two 1W7R4: Four



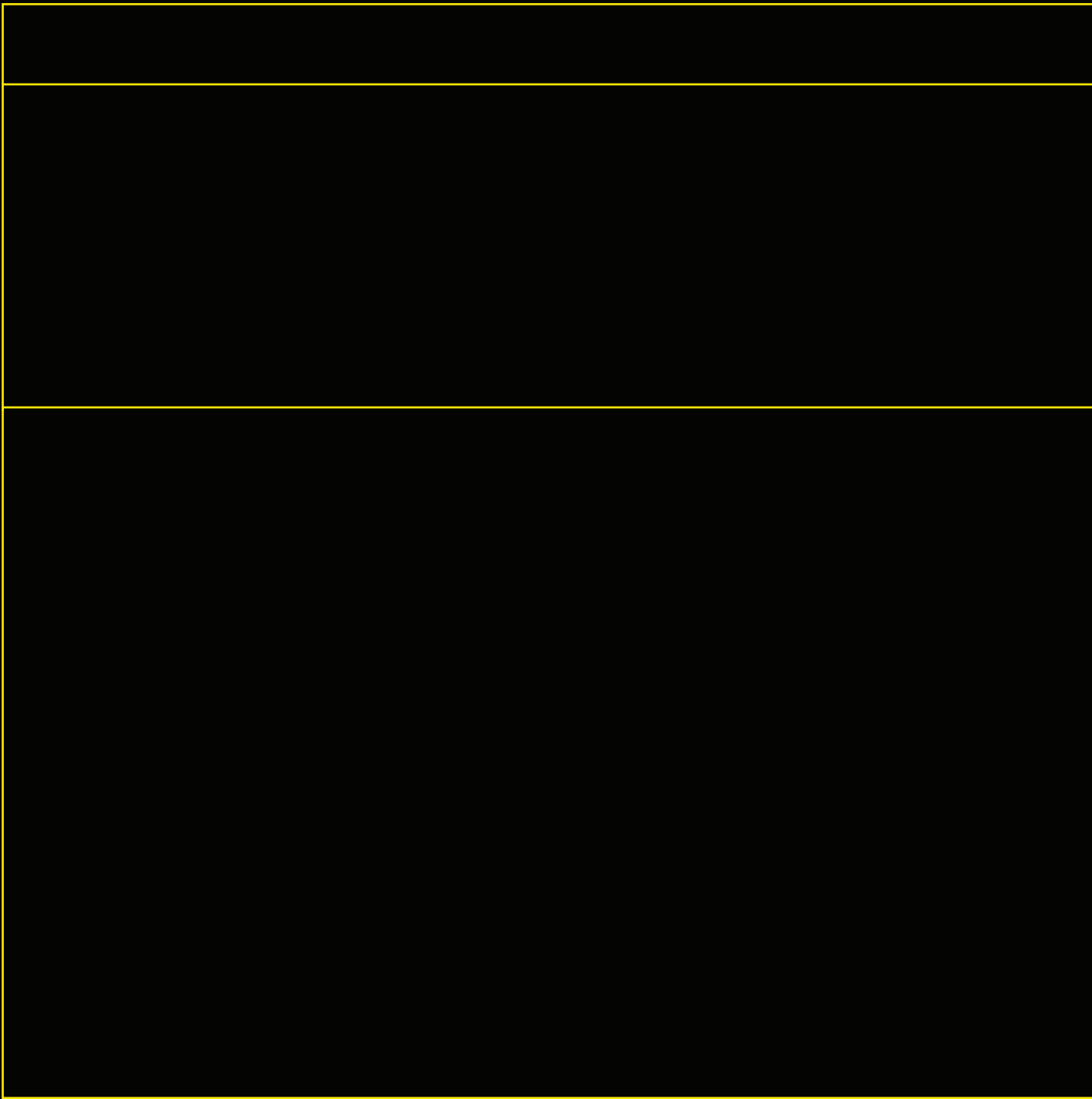
1W7P4—two switches



The shaded area shows the additional 1W7R4 switches and cam length.



1W7R4—four switches



For more information on Stanley Security Solutions' products, services, and office locations visit our web site at www.stanleysecuritysolutions.com

Product information contained in this catalog has been compiled and presented with as much care and completeness as is reasonably possible. Errors or mistakes may be present, and in many cases, reliance has been placed on information supplied by other manufacturers which may be in error or which may be subject to changes or modifications by the manufacturer without notice and without obligation. Therefore, no guarantee can be made or should be assumed or implied with regards to product information contained in this catalog.



Stanley Security Solutions, Inc.

6161 E. 75th Street Indianapolis, Indiana 46250

© 2011 Stanley Security Solutions, Inc. • www.stanleysecuritysolutions.com

10M 111
BAS019

STANLEY®

Security Solutions

KEY & CORE CONTROL



KEY & CORE CONTROL

KEYSTONE® 600N5



KEYSTONE® 600N5

KEYSTONE® 600N5 SOFTWARE

The screenshot shows the Keystone 600N5 software interface. At the top is a menu bar with options: File, Edit, Cards, Commands, Details, Cross Reference, Help. Below the menu bar is a header area with tabs for Facility, Keyring, Part, Masterkey, Out of Service, Product, Reports, Site, Unassigned, User, Building, Cabinet, Core, Coremark, Department, Door, Employee, Hook, Key, Keymark. The main area displays employee information: Last Name: ADAMS, First: SAM, MI: R, ID: 987-23-1234, Dept: HUMAN RESOURCES, Type: TEMP SERVICE, Description: , Title: SECRETARY. Below this is a table titled 'KEYS held by this EMPLOYEE - 19' with columns: Key Number, Level, Keyway, Product, Keyring, Issued, Due. The table lists 19 keys with various details. At the bottom is a function key menu with keys F1-F10 and their corresponding actions.

Key Number	Level	Keyway	Product	Keyring	Issued	Due
E1-2	OP	A			12/08/98	
E1-3	OP	A			12/08/98	
E1-4	OP	A			12/08/98	
E1-5	OP	A			12/08/98	
E1-6	OP	A			12/08/98	
E1-7	OP	A			12/08/98	
E1-8	OP	A			12/08/98	
E1-9	OP	A			12/08/98	
E1-10	OP	A			12/08/98	
E1-11	OP	A			12/08/98	
E4-1	OP	A	1A1A1		07/15/88	
F8-2	OP	A			12/09/98	
G1-3	OP	A			02/16/99	
G1-4	OP	A			02/16/99	
G1-5	OP	A				02/21/99

Demo Facility

The Best Access System Keystone® 600N5 key and core control software offers all of the same security, convenience, and functionality found in the original Keystone® 600 program, but with the added ability to operate in a network configuration. Keystone® 600N5 will assist you with the tedious task of managing your key and core multiple people in different locations may need to access the data simultaneously. Designed to operate over modern network environments, such as Windows® NT, XP or Windows® 2000. Keystone® 600N5 includes special help screens that can be accessed whenever you need assistance.

Complex commands and detailed menu trees are eliminated by the function key index at the bottom of each screen. Select the information tab desired and the appropriate screen is called up. Instructions and help screens are immediately available.

KEYSTONE® 600N5 FEATURES

Security

- Password restricted logins enable administration to restrict individuals access for designated cards

Buildings

- Designed to support multiple facilities
- Display people, keys and departments with access to a building
- Lists departmental access, designating the people, keys and keyrings that have access to that department
- Displays buildings with doors, cores and locks in the building

Keys

- List all keys and items currently due back (or due back by any day designated)
- Lists keys that have been issued and keyholders
- On-screen display of BEST masterkey code records entered
- Records issuance of keys, keyrings, cores and locks to people
- Maintains historical records on all keys, keyrings, cores and locks
- Shows all "keyrings", keyring holders, and what buildings, cores and doors the keyring accesses
- Maintains "key cabinet" records displaying the keys, keyrings and locks located on a "hook"
- Tracks "out-of-service" keys, keyrings and other items that are lost, stolen or destroyed
- Displays cores, departments, doors, buildings keys can access

Cores

- Lists all cores and their location, buildings and doors
- Cross-references employees, keys and departments

People

- Displays people, keys, keyrings, cores, locks on one record
- Maintains list of deleted employees (and doors) with the ability to display and reactivate them
- Searches for and identifies people by name, ID, department, title and type
- Cross-references people to cores, doors, buildings they access

Locks

- Displays locks, lock location and the people, keys and departments with access to that lock
- Lists manufacturer product records with items connected specifically to that manufacturer's product

Doors

- Shows the doors with cores, locks and other items that are installed on the door
- Displays doors and people, keys and departments that can access those doors

Software – general

- Comprehensive list of reports available as an on-screen menu
- Built-in easy-to-use backup program
- Program always displays date of last backup
- Lists users who made backups with dates
- Dynamic searching capability for all records
- Large note field available on all card records
- On-screen indicator shows when historical info. is present for a record
- On-screen indicator appears when notes are present on a record
- Able to operate in an NTFS network environment with TCPIP protocol
- Multiple users can access program at same time
- Stanley service that Import/Append data (Some formats)
- Mass deletion

SCREEN TAB DEFINITIONS

BUILDING CARD

This card allows you to track the door, cores and locks in each building. It also cross-references the employees, keys and departments that access the designated building.

CORE CARD

COREMARK CARD



When special "selective" keying is designed and used in a facility system, these cards will track the keys that can

operate a selective core. These cards maintain historic information of cores and cross-references the employees, keys and departments that operate the core. They also maintain the building and door location of a core. An automated pin segment calculator is available with these cards.

CABINET CARD

HOOK CARD

These cards allow you to record and reference the cores, keys locks, and keyrings that are located in your cabinet.

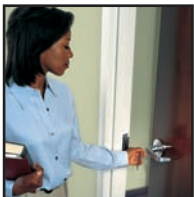
DEPARTMENT CARD

This card lists the employees, cores, keys, and key rings that are associated with a department. It cross-references the cores, buildings and doors that a department can access.

DOOR CARD

This card allows you to maintain records of the cores and locks in a designated door and provides a cross-reference to the employees, keys and departments that can access that door.

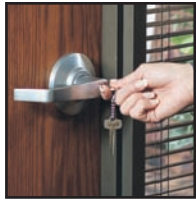
EMPLOYEE CARD



This card maintains records on the keys, cores, key-rings and locks that a person is issued. It cross-references

the cores, doors, and buildings that a person can access with their keys and keyrings.

FACILITY CARD



This card tracks all keys, keyrings and locks issued and reports their status when due for return. This function allows

you to view items due for return today and for previous days. This card displays a summary count of buildings, departments, doors, employees, cores, keys, keyrings, and locks in the facility database. It also tracks the dates. Backups are made and identifies who did the backup.

KEY CARD

KEYMARK CARD

These cards display the key marks, key serial numbers and any history of a key. They permit the cross-referencing of the employees with keys issued and the associated cores, doors, and departments that can be accessed by that key.

KEYRING CARD

When multiple keys are issued to an individual, many times a "keyring" is used to organize the issuance and control. This card tracks the keyring as a single file. This card shows current and historic information of the keys attached to the assigned keyring. It also cross-references the keyring keys to associated employees, cores, doors and buildings involved.

MASTERKEY CARD



This card allows you to display BEST masterkey code sheets for your system. It also includes a manual pin

segment calculator (requires that all key cut numbers have to be typed in for each key).

OUT-OF-SERVICE

This card tracks and maintains historic information for items (i.e. cores, keys, keyrings, and locks) that are reported lost, destroyed or stolen.

PART CARD

With this card, locks can be identified by:

- manufacturer
- nomenclature
- serialization

It also displays the core used in the designated lock (includes historical information for installed cores). It also permits the cross-referencing of that lock to employees, keys, and departments. This card can also report the lock's "disposition" (defined as the location of that lock, i.e. cabinet, door, employee, hook, destroyed, lost, stolen or unassigned).

PRODUCT CARD



This card allows for the tracking of a product by:

- the manufacturer's name
- catalog number
- type of product

(key, core, lock or other). It also gives the past history of locks that have been used in that product.

REPORTS CARD

This card allows for a vast array of standardized reports to be generated by:

- employee name or identification
- door location
- core
- key
- department or building
- others

SITE CARD



This card identifies the list of facilities that are being tracked, as well as the list of users with program access.

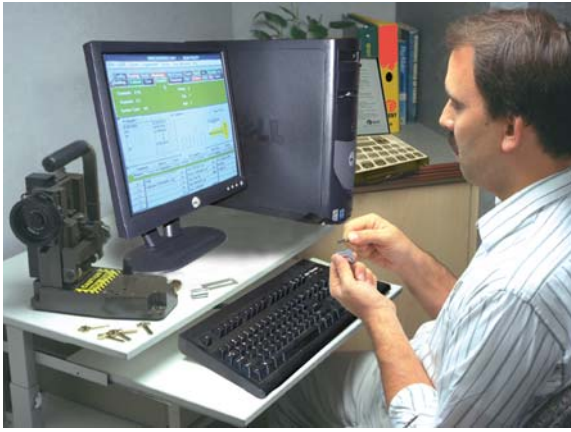
UNASSIGNED

This card displays records on keys, cores, keyrings, and locks when a key cabinet is not used for organizing key storage.

USER CARD

This card maintains records for the setting of security passwords allowing various levels of access to the Keystone® 600N program by security personnel and program users.

SPECIFICATIONS

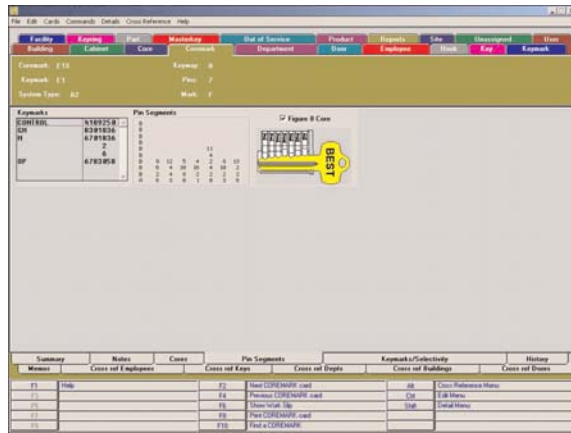


Hardware Requirements

The Best Access Systems Keystone® 600N5 Key and Core Control software requires the following minimum hardware configuration for operation:

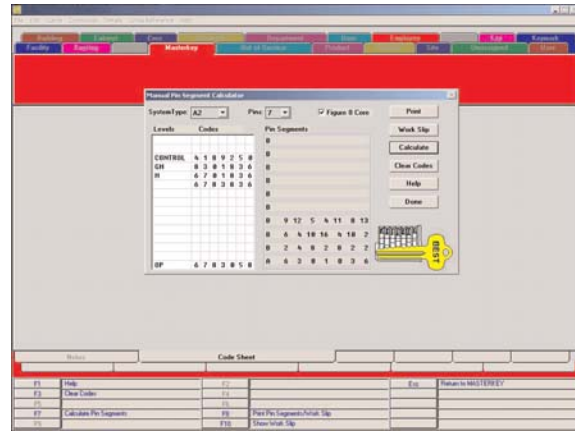
- Workstation (client) with 12MB fixed disk space with Windows® 98, NT, XP or 2000.
- Pentium Processor
- 64MB Memory
- 12MB Hard drive space
- CD ROM drive
- Keyboard and mouse
- VGA Color monitor
- Windows® NT, 2000 or XP with TCPIP protocol

PIN SEGMENTS



Automated Pin Segment Calculator

- BEST pin segments generated automatically from information entered into the Keystone® 600N5 program



Manual Pin Segment Calculator

- Simple entry of key cut numbers determines proper pin segments
- Determine single/double shear line combinations
- Security “work slip” feature allows printing of segments for combining Best products without revealing key cuts
- Accommodates combining of complex selective Best masterkeying
- Instantly displays Best pin segments for combining Best cores

HOW TO ORDER

KS Series	600N Product	1 Number of Logins	1 Facility Database Number
KS – key control software	600N – full install for KS600N software* 600NUP – upgrade from KS600 V3.53 or higher 600N5 – upgrade from KS600N	1 – 5 logins (default) 2 – 10 logins 3 – 15 logins	1 – one facility database (default) 2 – two facility databases 3 – three facility databases etc.

*Upgrades from G600 or a KS600 versions below 3.53 requires a full installation of KS600N

KS Series	600NLU Product	1 Number of Logins
KS – key control software	600NLU – increase the number of logins for an existing KS600N installation	1 – add 5 logins 2 – add 10 logins 3 – add 15 logins etc.

KS Series	600NDB Product	1 Number of Logins
KS – key control software	600NDB – add more facility databases to an existing KS600N installation	1 – add 1 facility database 2 – add 2 facility database 3 – add 3 facility database, etc.

Stanley Security Solutions, Inc.

6161 E. 75th Street Indianapolis, Indiana 46250

www.stanleysecuritysolutions.com

© 2006 Stanley Security Solutions, Inc. and Stanley Logistics

10M 906FP
BAS006 Litho USA

STANLEY[®]
Security Solutions



EZ SERIES
KEYPAD EZ LOCKS



TABLE OF CONTENTS		Page	Page	
Hardware / Software Features		2	KZ cylindrical specifications	5
Options		2	KZ cylindrical functions	6
Accessories		2	KZ cylindrical levers	6
HZ mortise specifications		3	EXZ exit hardware specifications & trim chart	6
HZ mortise functions		4	Order procedure	7
HZ mortise levers/knob		4	Patented keying system	8

HARDWARE FEATURES

- Heavy-duty mechanical platform designed and manufactured for the toughest applications.
- When the deadbolt is projected, deadbolt sensing prevents access by unauthorized PIN's. (Key override feature standard on Keypad EZ.)
- Mechanical override allows for emergency access.
- Available in common finishes and trims to match Stanley/BEST's 9K cylindrical series and 40H mortise series, providing aesthetic continuity.
- Available in cylindrical, mortise, and exit device trim platforms to meet most common applications.
- 12 position keypad design with audible and visual feedback.
- Standard battery pack yields a minimum of 65,000 cycles / 2–5 year battery life for cylindrical chassis, 130,000 cycles / 3–5 year battery life for mortise or exit trim platform.
- Optional extended battery pack yields twice the battery life as the standard battery pack.
- Local factory-trained technical services are available 24 hours a day to meet any emergency need.
- Replacement parts available.
- Features Stanley/BEST's standard 3 Year warranty.
- Weather-resistant for versatile applications, including doors exposed to inclement weather.
- Remote unlock standard.

SOFTWARE FEATURES

- Variable PIN length from 3 – 6 digits.
- Maximum of 50 users.
- All programming occurs through the keypad.
- Passage Mode privilege – authorized users can unlock device for extended periods of time.
- Deadbolt Override privilege – authorized users can gain access even when a mortise deadbolt is thrown.
- Provides for 1 Administrator PIN and 5 Supervisor PIN's to allow easy management of groups of users.

EZ – OPTIONS

- AL**– Besides complying with a wide variety of accessibility codes and ordinances, Stanley/BEST lever handles are available with a special abrasive feature. Abrasive strip on the lever immediately identifies warnings on doors to hazardous areas for the blind.
- EXBB**– Extended life battery pack for double the operating life. (93KZ & 45HZ ONLY)
- LM**– Lost motion feature allows the lever handle to move 45 degrees from parallel to the horizontal plane without engaging the latchbolt assembly. When the lockset is in the locked mode, this feature makes over-torque or over-leverage abuse more difficult to achieve. **Note: Available in 9K cylindrical only.**
- Non-IC**– The 9KZ may be adapted to existing keying systems by using a special retrofit lever and throw member that will accept 6-pin single shear-line cylinders from the following manufacturers: Corbin-Russwin, Medeco, Sargent, Schlage, Yale.
Note: Available in #15 lever style only. (Cylinder not supplied).
- SH**– Security head provided for all exposed screws.
- Thick door**–Specify thickness if other than 1 3/4".
- TL**– Tactile levers may be used in areas where improved grip is required or as a warning in hazardous or Safety First areas. Grooves are machined into the back of the hand grasp portion of the lever to improve grip and/or provide a sensory warning. This option can be used for blind, safety, or accessibility applications.

EZ – ACCESSORIES (not shown)

Part Description	Catalog Number
McGard™ Battery Door Screw (Specify Finish)	VPD - HS - SCRW
McGard™ Driver Bit	VPD - HS - DRVR
Standard Driver Bit	VPD - T15
Replacement Battery Pack	VPD-BB
Extended Battery Pack	VPD-EXBB



MECHANICAL

Case: 0.095" cold rolled steel, 5 7/8" H x 7/8" D x 4 1/16" W. Steel is zinc dichromate plated for corrosion protection.

Faceplate: Brass or bronze material, 8" H x 1 1/4" W x 1/16" T. Lock face automatically adjusts to proper bevel during installation.

Strike: Brass, bronze, or stainless steel base material, 4 7/8" H x 1 1/4" W x 3/32" T. Fits standard door frame cut out as specified in ANSI A115.1. Universal (non-handed) strike supplied standard with lock.

Backset: 2 3/4"

Certification: UL listed for GYQS electrically controlled single point locks or latches for use on 3 hour A label doors. The listing applies for both U.S. and Canadian applications.

Door Thickness: Standard lock configuration designed for doors 1 3/4" thick. Thick door configuration available for doors up to 3" thick (specify thickness when ordering).

Latchbolt: Solid stainless steel, 3/4" throw. Latch is oil-impregnated for anti-friction operation. Reversible without opening case.

Deadbolt: Stainless steel, 1" throw.

Auxiliary bolt: Stainless steel, non-handed.

Lever handle: Brass, bronze, or stainless steel base material. Lever styles 3, 14, and 15 return to a minimum of 1/2" of door surface. Lever 12, 16 and 17 do not return.

Escutcheon: 10 3/8" H x 3 1/4" W x 1" D (1" at the top, sloping down to 3/4" at the bottom)

Finishes: **605** - bright brass, clear coated; **606**-satin brass, clear coated; **611**-bright bronze, clear coated; **612**-satin bronze, clear coated; **613***-oxidized satin bronze, oil rubbed; **619**-satin nickel plated; **625**-bright chromium plated (brass base material); **626**-satin chromium plated (brass base material); **690***-dark bronze coated (brass base material)

* 613 finish is designed to wear over time, providing an "antique" appearance. 690 finish will continue as a dark brown appearance over time.



40HZ



ELECTRONIC

Primary power: Alkaline battery pack.

Memory backup: Maintains programming 100 years.

User feedback indicators: Visual and audible.

Operating & Storage temperature: -30°C to +60°C (-22°F to +140°F).

Relative humidity: 10% to 90% non-condensing.

Shock: 2000 Gs RMS (maximum door-slam shock).

Compliance to FCC, Canadian, EMC requirements; for interference FCC Class A digital apparatus.

KEYPAD

Bezel size: 2 5/8" x 3 1/4" .

Material: Bezel—High impact ABS,

Keypad—Encapsulated elastomer.

ESD Protection: 15KV

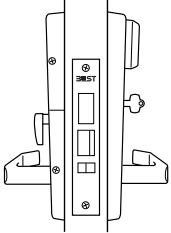
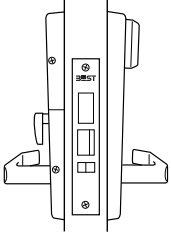
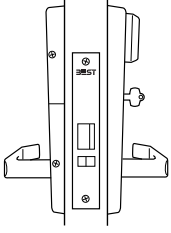
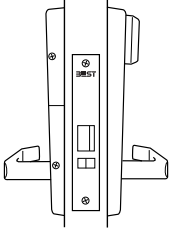
Button operating life: 3-5 million cycles.

Button operating force: 3.88 ounces.

Operating & Storage temperature: -35°C to +65°C (-31°F to +149°F).

Sealing: Weatherproof lens and gasket provides protection for out door use. (Usable in all environmental/exterior applications.)

HZ – MORTISE FUNCTIONS

Diagram	Function Code	Mechanical	Electronic
<p>Deadbolt w/ key override</p> 	TV	Latchbolt operated by lever either side, except when outside lever is locked by internal motor drive mechanism; latchbolt is retracted by key outside. Deadbolt operated by key outside and turn lever inside. When deadbolt is extended, turning inside lever or electronically unlocked outside lever retracts both deadbolt and latchbolt simultaneously. Auxiliary latch deadlocks latchbolt.	Internal motor drive mechanism operated by electronic signal when presenting valid token. Green light indicates valid access. Red light and sounder indicate invalid access attempt. Electronic sensor recognizes whether deadbolt is retracted or thrown. Lock grants access only to deadbolt-authorized personnel when deadbolt is thrown.
<p>Deadbolt w/o key override</p> 	LV	Latchbolt operated by lever either side, except when outside lever is locked by internal motor drive mechanism. Deadbolt operated by turn knob inside. When deadbolt is extended, turning inside lever or electronically unlocked outside lever retracts both deadbolt and latchbolt simultaneously. Auxiliary latch deadlocks latchbolt.	
<p>Latch w/key override</p> 	DV	Latchbolt operated by lever either side, except when outside lever is locked by internal motor drive mechanism; latchbolt is retracted by key outside. Auxiliary latch deadlocks the latchbolt.	
<p>Latch w/o key override</p> 	NV	Latchbolt operated by lever either side, except when outside lever is locked by internal motor drive mechanism. Auxiliary latch deadlocks the latchbolt.	

HZ – LEVERS/KNOB



#3 lever



#4 knob



#12 lever



#14 lever



#15 lever



#16 lever



#17 lever

KZ – CYLINDRICAL SPECIFICATIONS

MECHANICAL

- Materials:** Internal parts are brass, zinc or corrosion-treated steel.
- Chassis:** 2 1/16" diameter to fit 2 1/8" diameter hole in door.
- Strike:** Brass or bronze, 4 7/8" x 1 1/4" x 3/32". Fits standard door frame cut out as specified A115.1. Correct strike automatically supplied with unit.
- Backset:** 2 3/4" standard, 3 3/4" and 5" available.
- Door thickness:** For doors 1 3/4" - 2 1/4" thick.
- Installation:** Lock dimensions requires modified door prep ANSI A156.2 Series 4000, mount housing.
- Latchbolt:** 3/16" throw.
- Forged trim housing:** Dimensions: 10 3/8" H x 3 1/4" W x 1" D sloping down to 3/4".
- Lever:** Made from high-quality zinc alloy. Body is approximately 1 5/8" in diameter: Handle is approximately 4 3/4" in length (from center-line of chassis). (#14 and #15 conform to California Titles 19 and 24.)
- Certification:** UL listed For GYQS Electrically controlled single point locks or latches for use on 3 hour A label doors. The listing applies for both U.S. and Canadian applications.
- Finish:** **605** - bright brass, clear coated; **606**-satin brass, clear coated; **611**-bright bronze, clear coated; **612**-satin bronze, clear coated; **613***-oxidized satin bronze, oil rubbed; **619**-satin nickel plated; **625**-bright chromium plated (brass base material); **626**-satin chromium plated (brass base material); **690***-dark bronze coated (brass base material).
- * 613 finish is designed to wear over time, providing an "antique" appearance. 690 finish will continue as a dark brown appearance over time.



9KZ



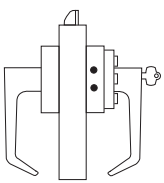
ELECTRONIC

- Primary power:** Alkaline battery pack.
- Memory backup:** Maintains programming 100 years.
- User feedback indicators:** Visual and Audible.
- Operating & Storage temperature:** -30°C to +60°C (-22°F to +140°F).
- Relative humidity:** 10% to 90% non-condensing.
- Shock:** 2000 Gs RMS (maximum door-slam shock)
- Compliance to FCC , Canadian, EMC requirements; for interference FCC Class A digital apparatus.

KEYPAD

- Bezel size:** 2 5/8" x 3 1/4"
- Material:** **Bezel**—high impact ABS, **Keypad**—silicone rubber.
- ESD Protection:** 15KV.
- Button operating life:** 3-5 million cycles.
- Button operating force:** 3.88 ounces.
- Operating temperature:** -35°C to +55°C (-31°F to +131°F).
- Storage temperature:** -40°C to +55°C (-40°F to +131°F).
- Sealing:** Weatherproof gasket provides protection for outdoor use. (Usable in all environmental/exterior applications.)

KZ – CYLINDRICAL FUNCTIONS

Diagram	Function Code	Mechanical	Electronic
	DV Cylindrical Latch w/key override	Dead locking latchbolt operated by lever either side, except when outside lever is locked by internal motor drive mechanism; latchbolt is deadlocked.	Internal motor drive mechanism operated by electronic signal when presenting valid token. Green light indicates valid access. Red light and sounder indicate invalid access attempt.

KZ – CYLINDRICAL LEVERS



#14 lever



#15 lever



#16 lever

EXZ — EXIT HARDWARE SPECIFICATIONS**EXIT HARDWARE SUPPORTED**

- Adapts to Precision's 1000 & 2000 series and Von Duprin 98/99 series
- Devices supported:
- Rim device
 - Surface vertical rod
 - Concealed vertical rod
 - Mortise

**MECHANICAL**

Materials: Internal parts are brass, zinc or corrosion-treated steel.

Brass or bronze, 4 7/8" x 1 1/4" x 3/32". Fits standard door frame cut out as specified in ANSI A115.1. Correct strike automatically supplied with unit.

Strike box supplied standard. Forged trim housing

Lever handle: Brass or bronze. (Lever #14 and #15 conform to California Titles 19 and 24.)

Certification: UL listed For GYQS Electrically controlled single point locks or latches for use on 3 hour A label doors. The listing applies for both U.S. and Canadian applications.

Finish: **606**-Satin brass, clear coated; **613***-oxidized satin bronze, oil rubbed; **626**-satin chromium plated; **690***-dark bronze coated (brass base material).

* 613 finish is designed to wear over time, providing an "antique" appearance. 690 finish will continue as a dark brown appearance over time.

**EXZ Keypad****ELECTRONIC**

Primary power: Alkaline battery pack.

Memory backup: Maintains programming to 100 years.

User feedback indicators: Visual and Audible.

Operating & Storage temperature: -30°C to +60°C (-22°F to +140°F).

Relative humidity: 10% to 90% non-condensing.

Shock: 2000 Gs RMS (maximum door-slam shock)

Compliance to FCC , Canadian, EMC requirements; for interference FCC Class A digital apparatus.

KEYPAD

Bezel size: 2 5/8" x 3 1/4"

Material: Bezel—high impact ABS, Keypad—silicone rubber.

ESD Protection: 15KV.

Button operating life: 3-5 million cycles.

Button operating force: 3.88 ounces.

Operating temperature: -35°C to +55°C (-31°F to +131°F).

Storage temperature: -40°C to +55°C (-40°F to +131°F).

Sealing: Weatherproof gasket provides protection for outdoor use. (Usable in all environmental/exterior applications.)

EX TRIM CHART

Configuration	Von Duprin 99	Precision 1000	Precision 2000	Sargent 8000
Rim – w/o key override	X	X	X	X
Mortise – w/o key override	X	X	X	
Surface Vertical Rod – w/o key override	X	X	X	
Concealed Vertical Rod – w/o key override	X	X	X	
Rim – with key override	X		X	
Mortise – with key override			X	
Surface Vertical Rod – with key override	X		X	
Concealed Vertical Rod – with key override	X		X	

**ORDER PROCEDURE
HZ – MORTISE**

45HZ Series	7 Core Housing	TV Function Code	14 Lever Style	MS Trim Style	626 Finish	RH Door	Options Hand
45HZ– lever	0**– keyless 7– 7 pin housing; accepts all BEST cores	DV– latch with key TV– deadbolt with key LV– deadbolt without key NV– latch without key	Levers: 3**– solid tube/ w/return ♿ 12*– solid tube/ no return ♿ 14– curved return ♿ 15– contour angle return ♿ 16– curved no return ♿ 17*– gull wing ♿ Knobs: 4– round	KP– keypad KPA– other cylinder	626 690 Satin* 606 612 613 619 Bright* 605 611 625	RH RHRB LH LHRB	EXBB*– extended life battery pack (Battery door available in 622 finish only) SH*– security head screws Thick Door*– specify thickness TAC*– tactile lever 7/8" LTC*– flat lip strike

* Extra cost option. Must specify keymark and number of keys.

** Cost deduction.

KZ – CYLINDRICAL

93KZ Backset	7 Core Housing	DV Function Code	14 Lever Style	MS Rose Style	STK Strike Package	626 Finish	Options
93KZ– 2 3/4" 94KZ*– 3 3/4" 95KZ*– 5"	0– keyless 6– 6 pin non-IC cyl. 7– 7 pin housing; accepts all BEST cores	DV– latch with key	14– curved return ♿ 15– contour angle return ♿ 16– curved no return ♿	KP– keypad	STK– standard S3– ANSI	626 690 Satin* 606 612 613 619 Bright* 605 611 625	EXBB*– extended life battery pack (Battery door available in 622 finish only) LM– lost motion SH*– security head screws TAC*– tactile lever 3/4*– 3/4" throw latch 7/8" LTC*– flat lip strike 0B**– non-IC zero-bitted KA**– non-IC keyed alike KD**– non-IC keyed different COR***– non-IC Corbin-Russwin MED***– non-IC Medeco SAR***– non-IC Sargent SCH***– non-IC Schlage YAL***– non-IC Yale SCHRC***– Schlage

* Extra cost option. Must specify keymark and number of keys.

** Six-pin cylinder in Schlage "C" keyway included with 0B, KA, KD options. Must specify "6" for core housing.

*** Cylinder not included with COR, MED, SAR, SCH, YAL, or SCHRC options. Must specify "0" for core housing.

EXZ – EXIT HARDWARE

EXZ Series	7 Core Housing	EV Function Code	14 Lever Style	MS Trim Style	626 Finish	RHR Door Hand	PH1 Manufacturer	RM Locking Type	Options
EXZ– Keypad EZ	0**– keyless 7– 7 pin housing; accepts all BEST cores	EV– with key** NV– w/out key	14– curved return ♿ 15– contour angle return ♿	KP– keypad	626 690 satin* 606 613	RHRB LHRB	VD9– VonDuprin 98/99 series PH1– Precision hardware 1000 PH2– Precision hardware 2000 SA8– Sargent 8000 series ***	RM– rim*** MO– mortise RD– surface & concealed vertical rods	SH*– security head screws Thick Door*– specify thickness

* Extra cost option. Must specify keymark and number of keys

** EV function (key override) is not available on PH1000 (all models) Von Duprin (mortise type), or Sargent (rim type) device.

*** SA8– available (only) with rim type device.

CORMAX™ PATENTED KEYING SYSTEM

One of the greatest threats to key control within your facility is the unauthorized duplication of keys; one simple solution is the use of the CORMAX™ Patented Keying System.

Very seldom can a single product meet all of your exact needs, and often your level of convenience must be sacrificed to fit the capabilities of the product. The CORMAX Patented Keying System provides you with a significant amount of flexibility, enabling a solution that fits your unique balance between security and convenience.

The CORMAX Patented Keying System is available in two series of keyways, the M Series and the X Series. Each series offers a different blend of features. For example the CORMAX Patented Keying System can provide geographic exclusivity to the customer to help you maximize convenience while optimizing your security.



**CORMAX™
Patented Keying System**

M Series Keyway Features

- Patented keys operate both CORMAX and Standard BEST cores (backward compatibility) with existing BEST keyway (J,K,L,M only). Standard keys do not operate CORMAX cores.
- Available in large bow, long blade, and long nose key blanks to work with special applications.
- Available in core designs for use in special application locks, such as high security mortise, hotel cylinders, and glass display-case locks.
- Utilizes the same combining kits and key cutting equipment as the Standard BEST keyways.
- M Series keys operate CORMAX cores and Standard (non-patented) BEST cores. Standard key blanks do not operate CORMAX cores.

X Series Keyway Features

- Distinctive key design includes thicker key blanks with larger bow for added strength and easier handling.
- Keyways are unique to CORMAX Patented Keying System offering even higher key duplication protection.
- CORMAX keyways utilize the standard combining kit, minimizing the expense of system changeover.
- X Series keys operate CORMAX cores only.

For more information on Stanley Security Solutions' products, services, and office locations visit our web site at www.stanleysecuritysolutions.com

Product information contained in this catalog has been compiled and presented with as much care and completeness as is reasonably possible. Errors or mistakes may be present, and in many cases, reliance has been placed on information supplied by other manufacturers which may be in error or which may be subject to changes or modifications by the manufacturer without notice and without obligation. Therefore, no guarantee can be made or should be assumed or implied with regards to product information contained in this catalog.



Stanley Security Solutions, Inc.

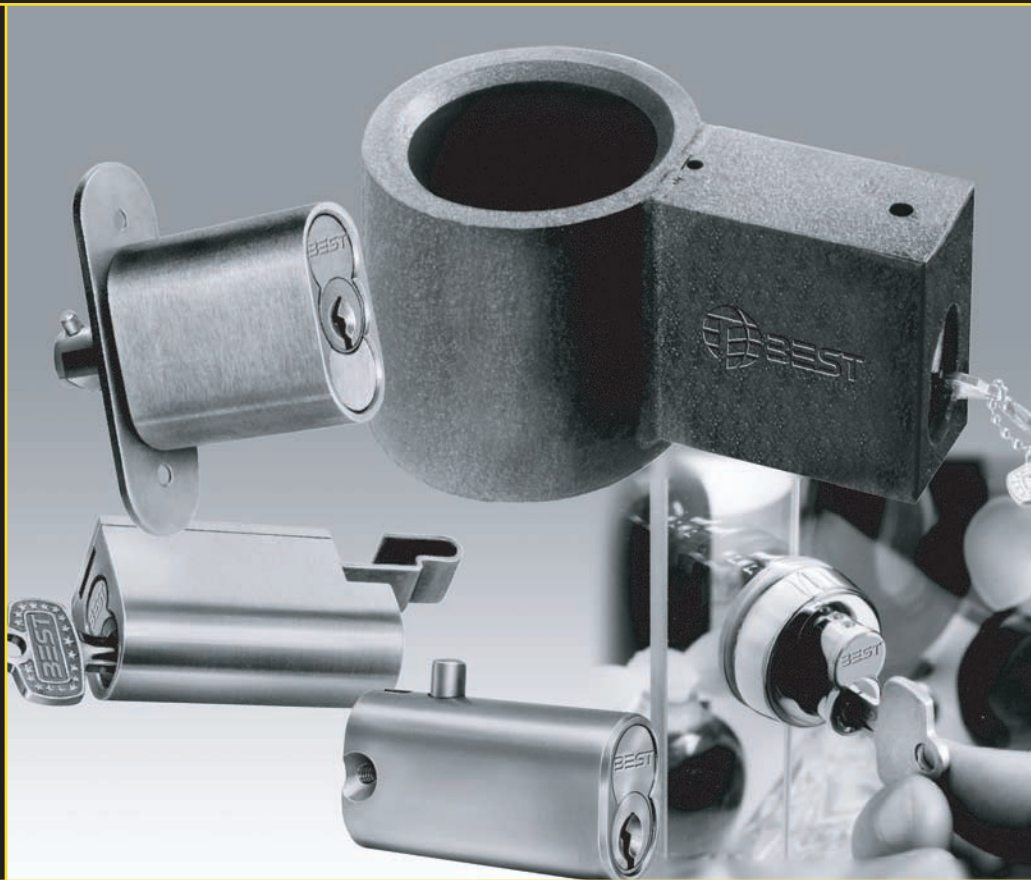
6161 E. 75th Street Indianapolis, Indiana 46250

© 2010 Stanley Security Solutions, Inc. • www.stanleysecuritysolutions.com

10M R410
BAS023

STANLEY[®]
Security Solutions

MISCELLANEOUS

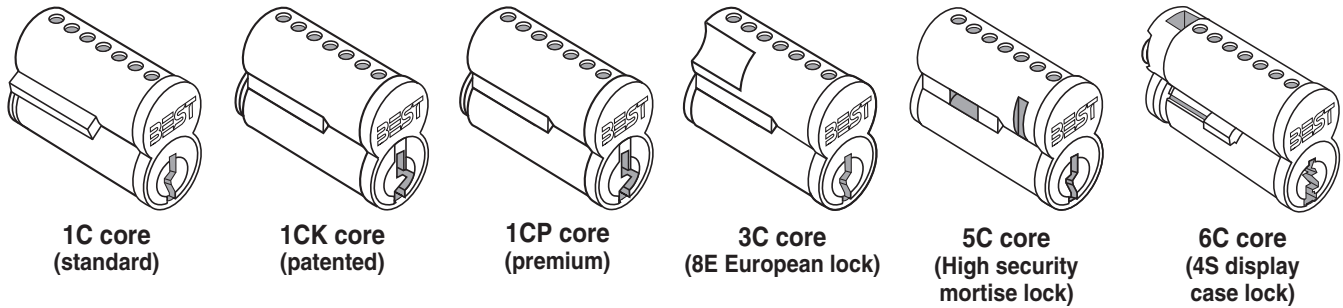


MISCELLANEOUS



TABLE OF CONTENTS		Page	Page
C Series – Cores	2	2S Series – Sliding Door Lock	4
Patented Keying System	2	3S Series – Sliding Panel Lock.....	5
2J Series – Semi-Trailer King Pin	3	4S Series – Sliding Door Cylinder	5
2P Series – Push Lock	4	KRD Series – Key Retaining Devices	6, 7

C SERIES – CORES & SPECIAL APPLICATION CORES



HOW TO ORDER: C SERIES

1C	7	A	1	Options	606
Core Type	Core Size	Keyway Code	Combination Code		Finish
1C– standard 1CK– patented 1CP– premium 1CM– MX8-M series 1CX– MX8-X series 3C– for 8E cylinder 5C**– high security 6C– for 4S cylinder	5– 5 pin (1C only) 6– 6 pin (1C, 1CK only) 7– 7 pin	Designate specific keyway (A, E, etc.)	1– uncombined 2– uncombined	B*– pick & drill resistant (1C only) K*– key trap T*– deadlocking (6C only)	605 606 612 613 625 626

*Extra cost option.

**Long blade key required. If combined, you must specify keymark and number of keys.

CORMAX™ PATENTED KEYING SYSTEM

One of the greatest threats to key control within your facility is the unauthorized duplication of keys; one simple solution is the use of the CORMAX™ Patented Keying System.

Very seldom can a single product meet all of your exact needs, and often your level of convenience must be sacrificed to fit the capabilities of the product. The CORMAX Patented Keying System provides you with an significant amount of flexibility, enabling a solution that fits your unique balance between security and convenience.

The CORMAX Patented Keying System is available in two series of keyways, the M Series and the X Series. Each series offers a different blend of features. For example the CORMAX Patented Keying System can provide geographic exclusivity to the customer to help you maximize convenience while optimizing your security.



CORMAX™ Patented Keying System

M Series Keyway Features

- Patented keys operate both CORMAX and Standard BEST cores (backward compatibility) with existing BEST keyway (J,K,L,M only). Standard keys do not operate CORMAX cores.
- Available in large bow, long blade, and long nose key blanks to work with special applications.
- Available in core designs for use in special application locks, such as high security mortise, hotel cylinders, and glass display-case locks.
- Utilizes the same combining kits and key cutting equipment as the Standard BEST keyways.
- M Series keys operate CORMAX cores and Standard (non-patented) BEST cores. Standard key blanks do not operate CORMAX cores.

X Series Keyway Features

- Distinctive key design includes thicker key blanks with larger bow for added strength and easier handling.
- Keyways are unique to CORMAX Patented Keying System offering even higher key duplication protection.
- CORMAX keyways utilize the standard combining kit, minimizing the expense of system changeover.
- X Series keys operate CORMAX cores only.



**J SERIES
SEMI-TRAILER KINGPIN LOCK**



2J7L11
Single latch armored kingpin lock operated by single key.



2J7L21
Double latch armored kingpin lock requires two separate authorized keys to open.

Operation

The semi-trailer lock, locks onto the kingpin on a dropped semi-trailer to prevent hookup. The lock is automatically secured when pushed onto the kingpin and the key(s) can be withdrawn only in the locked position. Bright red finish signals driver not to back into lock. The deadlocking bolt functions listed below (D11, D21) feature a deadlocking bolt controlled by key to prevent bolt(s) from being shimmed or jimmed. A key is necessary both to secure and remove deadlocking bolt models.

Specifications

Case– Structural steel, machined solid steel head(s) heliarc welded to center body. Single head 8" x 8 3/4" x 4", weight approx. 15 lbs. Double head 11 1/2" x 3 3/4" x 4". Weight approx. 19 lbs.

Latch projection– 15/32"

Cylinder(s)– Brass with interchangeable core

Finish– Case, bright red crinkle finish; cylinders and cores 606

Armored front protection– Standard. Cylinder and core protected with hardened steel plate. Requires long blade key. Optional extended block (without armor package) to protect cylinder.

Warning Flag Assembly

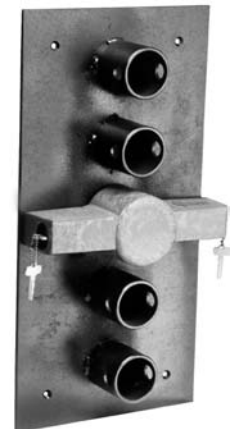
Includes eyebolt, snap, chains and danger flag. Hole in housing predrilled for attachment. Specify **2JOF1**



2JOF1
with flag

Semi-Trailer Kingpin Storage Rack

Mounts on wall. Holds 3 or 5 kingpin locks. Requires key to remove locks. Black finish standard. Plated corrosion-resistant finish available. Three-post mount **2JOR3 (2JOR3C-plated)**. Five-post mount **2JOR5 (2JOR5C-plated)**. Specify finish with order.



Semi-Trailer Kingpin Storage Rack

HOW TO ORDER: J SERIES

2J Series	7 Core Housing	L11 Function Code	Options
2J – standard body	7 – 7-pin housing accepts all Best cores	L11 – single latch type L21 – double latch type D11 – single deadlatch type D21 – double deadlatch type	TA – extended block without armor

Must specify key mark and number of keys or designate L/C for less core.

**2P SERIES
PUSH LOCKS FOR FILING CABINETS**

Specifications

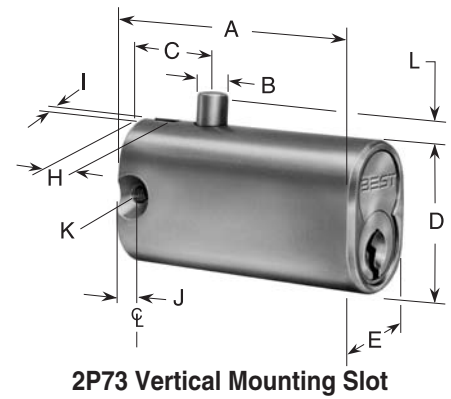
Material– Parts are solid brass; phosphor bronze springs.

Dimensions– See illustration and table.

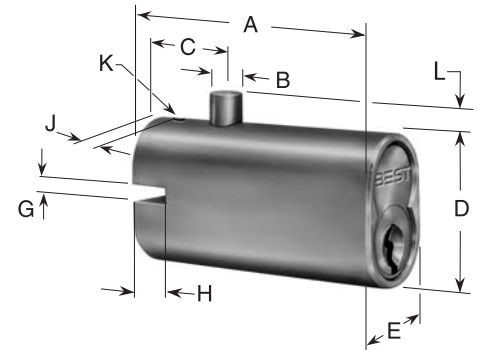
Finish– 2P series 626 (satin chrome) standard finish.

The 2P series incorporates the BEST interchangeable core and requires special cabinet preparation. It may be keyed individually, keyed alike, masterkeyed or grand-masterkeyed with other BEST removable core products.

Dimensions in inches												
Vertical Mounting Slot												
2P73 (7Barrel)	A	B	C	D	E	F	G	H	I	J	K	L
	2 9/32"	1/4"	19/32"	1 1/8"	3/4"			5/16"	1/8"	5/32"	#6-32	5/32"
Horizontal Mounting Slot												
2P74 (7Barrel)	A	B	C	D	E	F	G	H	I	J	K	L
	2 9/32"	1/4"	19/32"	1 1/8"	3/4"	5/16"	1/8"			5/32"	#6-32	5/32"



2P73 Vertical Mounting Slot



2P74 Horizontal Mounting Slot

HOW TO ORDER: 2P SERIES

2P Series	7 Lock Housing	E Keyway	1 Combination Code	A Bolt Type	626 Finish
2P– file cabinet	7– 7-pin body may be keyed 6-pin	Designate specific keyway	1– uncombined 2– combined	A– rectangular B– rectangular with bevel C– round D– round for fire cabinet	626

Must specify key mark and number of keys or designate L/C for less core.

**2S SERIES
PUSH LOCK FOR SLIDING DOORS**

Specifications

Case– Extruded brass

Width– 1 1/2"

Thickness– 23/32"

Inside Face Plate– 2 3/4" x 7/8"; hole spacing 1 7/8"

Detachable Face Plate– 1/16" x 1 1/8" x 2 3/4"; hole spacing 2 3/16"

Finish– Base finish, 626, supplied unless otherwise specified

Function Code Chart

Function Code	Door Thickness	Bolt	Operation
2S73	to 1 5/8"	19/32" dia. 1/2" throw	When unlocked, case of lock moves out through door stile and may be used as handle for moving door. To lock 2S73 and 2S74 push case in through door. Spring locking action. To lock 2S75 operate key and push case "IN" through door to engage bolt retaining pin behind strike plate in opposite door.
2S73 x TBM	7/8" to 1 5/8"	19/32" dia. 1/2" throw	
2S74 x TBM	7/8" to 1 5/8"	19/32" dia. 3/4" throw	
2S75	3/4" to 1 5/8"	1/2" dia. x 7/16" Bolt engagement 1/8" locking pin	

*Screws may be cut up to 5/8" shorter for doors to 7/8" door thickness.

HOW TO ORDER: 2S SERIES

2S Series	7 Core Housing	5 Function Code	626 Standard Finish	Options	**
2S– sliding door push lock	7– 7-pin housing accepts all Best cores	see above	626– standard 605 606 622 625	SP– support plate*	

*Cannot be used with through bolt mounted (TBM) option. Available in 626 only.

**Must specify key mark and number of keys or designate L/C for less core.



2S73
Surface mounted



2S74 x TBM
Through bolt mounted



2S75
Surface mounted
w/retaining pin

3S SERIES SLIDING PANEL LOCK

Operation

A stainless steel strap mounts permanently on the inner sliding panel. When panels are closed, the tongue of the strike strap extends beyond the edge of the outer panel. To lock panels, slide lock housing as close to overlapping panel edge as possible and lock by turn of key. Key is removable in locked position only.



3S75



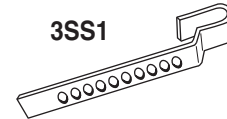
3S77

3S-Strike Strap Chart

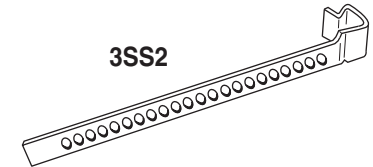
Type	Length	Panel
3SS1	4 1/4"	1/4"
3SS2	6 1/4"	1/4"
3SS3	6 1/4"	5/16"
3SS4	6 1/4"	13/32"
3SS5	6 1/4"	3/4"

Specifications

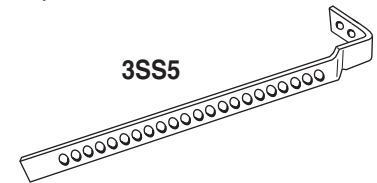
- Strike Strap**– Stainless steel, 1/2" wide
- Lock housing**– Aluminum ANSI 156.11, Grade 1
- Finish**– 627 aluminum only



3SS1



3SS2



3SS5

HOW TO ORDER: 3S SERIES

3S Series	7 Core Housing	5 Function Code	3SS2 Strike Strap	627 Standard Finish
3S– sliding panel lock	7– 7-pin housing accepts all Best cores housing 8– 1" extended housing	5– straight lock housing 7– captured panel lock	3SS2– standard unless otherwise specified	627

Must specify key mark and number of keys or designate L/C for less core.

4S SERIES SLIDING DOOR CYLINDER

The 4S73 locking cylinder for sliding doors offers quality security and Masterkey versatility by integrating a modified BEST interchangeable core into the actual locking mechanism. This machined solid brass cylinder is designed for use on display cabinets, window displays, or other storage areas that are closed by sliding panels of glass, plastic, wood, etc. Available in a variety of finishes (bright chrome standard), the 4S73 can be keyed into any new or existing BEST System.

Specifications

- Cylinder**– Head diameter– 1 3/8", cylinder projection– 3/8". Fits 1 3/16" diameter hole in door. Machined from solid brass.
- Clamp Plate**– Stainless steel.
- Mounting**– Cylinder attached with 2 stainless steel screws. Supplied with 2 clear vinyl washers for mounting on glass doors.
- Door thickness**– 1/4"
- Finish**– 625 bright chrome supplied standard. Available in 605, 606, 626.
- Core**– Special 7 pin core prevents complete removal of core from cylinder. Machined from solid brass. 6C or 6CT core is required.
- Operation**– Core body blocks door from sliding open when in the locked position. To unlock, insert key to retract locking lug and pull core forward to the unlocked position. 6C core must be ordered if key is to be removable in the locked or unlocked position. 6CT core must be ordered if key is to be removable only in the locked position.



4S73 Mounted on glass cabinet-unlocked position



4S73 Mounted on glass cabinet-locked position

HOW TO ORDER: 4S SERIES

4S Series	7 Core Housing	3 Function Code	625 Standard Finish
4S– sliding door cylinder	7– 7 pin housing accepts (6C or 6CT only)	3– standard 4– for wood doors	625– standard 605 606 626






Must specify key mark and number of keys or designate L/C for less core.

**KRD SERIES
KEY RETAINING DEVICES**

Key Retainer Device Operation and Benefits

The key retaining device is an effective tool for improving key control. With a key retaining device, a release key is inserted into the retaining device and rotated. The rotation of this key both releases the retained key and traps the release key. The release key remains trapped until the retained key is returned and rotated. When this happens, the release key can be extracted, but the retained key is trapped. These retaining devices establish accountability for important keys (ex: master keys, emergency bypass keys, etc.) and dramatically reduce both human mistakes and risk exposure for higher level keys. These effective put-and-take systems act as mechanical sign-out sheets. When the cores are installed, the standard #10 front mounting screws are concealed. Additional 1/4-20 threaded mounting holes are provided in the back of each KRD case.

How It Functions...A simple put-and-take method of operation

				
GM or any high level key retained in KRD waiting for any authorized user to remove it when needed	An authorized user inserting their personally identified release key	User rotates release key and the high level retained key is now ready for removal	Authorized user removing the previously secured high level key and can use it as needed	Authorized user key is retained (held captive/trapped) until the high level key is returned to its secure location

KRD-2 BEST Core Model (Cores and Keys not included)

Two core retaining device with one retained core and key and one release core and key. Accepts 5, 6 and 7 pin BEST cores.

- Case:** Precision machined from solid aircraft aluminum bar stock
- Size:** 2 1/4" High x 4 1/2" Long x 2 1/4" Deep.
- Weight:** 2 pounds
- Finish:** Clear anodized – 628 *
- Options:** – **S:** Internal low-voltage SPDT switch
 – **SS:** Security Seal
 * Other colors are available



KRD-2

KRD-2H Hybrid (Cores and Keys not included)

The Hybrid KRD is used to combine, in one device, a BEST core with another manufacturer's core. Two models are currently available: Sargent RC and Schlage FSIC (contact your local BEST office for information on other models).



KRD-2H – SAR/BEST



KRD-2H – BEST/SCH

These two KRD-2H Hybrids have the BEST core as the retained position, but the user can decide which core position is to be the release and which is to be the retained.

Specifications for KRD-2H Hybrids are the same as the KRD-2 shown above.

KRD-2 Non-BEST Full Size Core Models (Cores and Keys not included)

Identical in operation to the KRD-2 for BEST cores, but these devices will accept other manufacturers' IC's and RC's. Some manufacturers of both 6 and 7-pin cores require a different version for each. A complete listing appears in HOW TO ORDER below. Specifications for these models are the same as the KRD-2 shown on the previous page.

KRD-3 BEST Core Dual Function Model (Cores and Keys not included)

This three core model accepts BEST 5, 6 and 7-pin cores and provides the user with a choice of two different functions:

Function "A" – Dual Custody - 2 release keys presented to release 1 retained key: Two release keys must be simultaneously inserted into the retaining device and rotated 90 degrees. The rotation of these two keys traps them and releases the retained key. The release keys remain trapped until the retained key is returned and rotated. When this happens, the release keys can be extracted, but the retained key is trapped.

Function "B" – 1 release key presented to release 2 retained keys: A release key is inserted into the retaining device and rotated 90 degrees. The rotation of this key releases the retained keys, which should both be simultaneously removed, and traps the release key. The release key remains trapped until both of the retained keys are returned and rotated. When this happens, the release key can be extracted, but the retained keys are trapped.

Case: Precision machined from solid aircraft aluminum bar stock

Size: 2 1/4" High x 6 3/4" Long x 2 1/4" Deep.

Weight: 3 pounds

Finish: Clear anodized – 628 *

Options: – **S:** Internal low-voltage SPDT switch
 – **SS:** Security Seal(s)
 Specify quantity and post location(s)
 * Other colors are available



KRD-3 (Function "A" Shown)

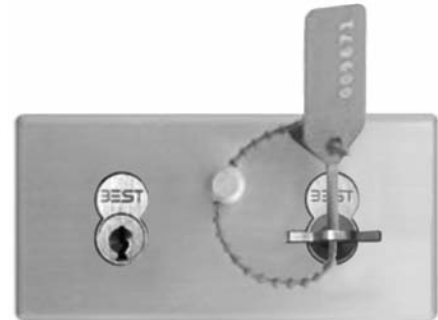
KRD Options

-S Switch

Internal low-voltage SPDT switch rated at 5A, 125VAC supplied with a 3-wire, 36" jacketed cable. This switch can be used to connect any KRD to an annunciator, control circuitry, a camera, an access control system with alarm monitoring capability, a linked output, etc.

-SS Security Seal(s) (Seals not included)

Allows you to use a breakable seal on a retained key to provide a simple and effective visual indicator that this key has NOT been used.



-SS Option (Shown on KRD-2)

HOW TO ORDER: KEY RETAINING DEVICES

Key Retaining Devices	Part Number
KRD-2 BEST Core Model	UL-KRD-2
KRD-2H Hybrid (Sargent/BEST Model)	UL-KRD-2H SAR/BEST
KRD-2H Hybrid (BEST/Schlage FSIC Model)	UL-KRD-2H BEST/SCH
KRD-3 BEST Core Dual Function Model	UL-KRD-3
Non-BEST Full Size Core Models	
KRD-2 Corbin Russwin 6-pin IC	UL-CR6-KRD-2
KRD-2 Corbin Russwin 7-pin IC	UL-CR7-KRD-2
KRD-2 Medeco IC	UL-MED-KRD-2
KRD-2 Sargent RC	UL-SAR-KRD-2
KRD-2 Schlage FSIC	UL-SCH-KRD-2
KRD-2 Yale 6-pin IC	UL-YA6-KRD-2
KRD-2 Yale 7-pin IC	UL-YA7-KRD-2
Switch and Security Seal Options	Add -S and/or -SS suffix
Also available: Special KRD-4, Custom Hybrids and Functions, Multi-Key Switches, etc.	



For more information on Stanley Security Solutions' products, services, and office locations visit our web site at www.stanleysecuritysolutions.com

Product information contained in this catalog has been compiled and presented with as much care and completeness as is reasonably possible. Errors or mistakes may be present, and in many cases, reliance has been placed on information supplied by other manufacturers which may be in error or which may be subject to changes or modifications by the manufacturer without notice and without obligation. Therefore, no guarantee can be made or should be assumed or implied with regards to product information contained in this catalog.



Stanley Security Solutions, Inc.

6161 E. 75th Street Indianapolis, Indiana 46250

© 2010 Stanley Security Solutions, Inc. • www.stanleysecuritysolutions.com

10M R410
BAS031

STANLEY[®]
Security Solutions



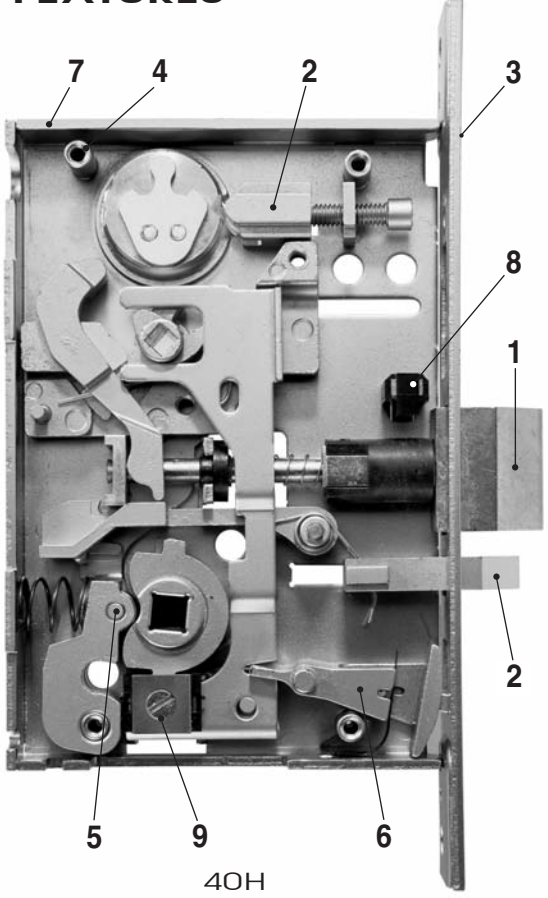
40H SERIES

HEAVY DUTY MORTISE LOCKS



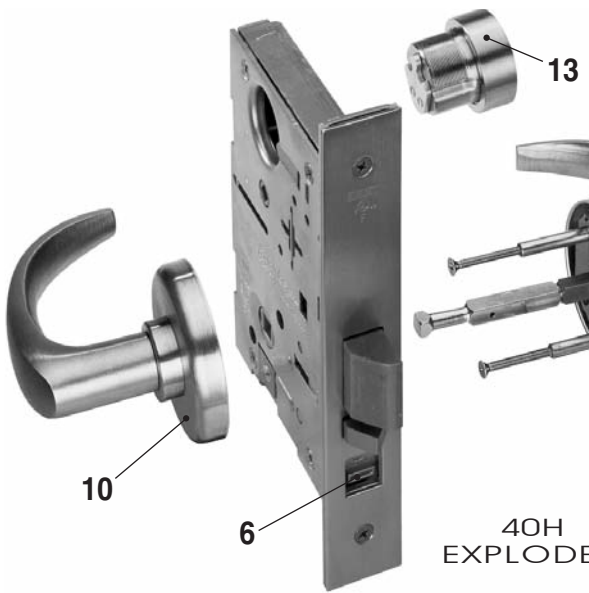
TABLE OF CONTENTS		Page	Page	
Features		2	Mortise Sample Specification	9
Specification		3	Lever, Knob & Trim Variations	10-11
Universal Lock Concept		4-5	Decorative Levers	12-13
How To Order		6-7	Functions	14-17
Special Features		8	48H & 49H High Security Specification	18
Service Equipment		8	48H & 49H Function & How To Order	18
Hand of Door		8	Standard & High Security Cylinders	19

FEATURES



40H CUTAWAY

1. Solid one-piece stainless steel anti-friction latch provides 50% more surface contact with strike for superior strength and security. Reversible latch rotates 180 degrees for easy handing change without opening case. Precision-engineered curve provides enhanced cycle life with reduced wear to the strike.
2. Non-handed cylinder retainer and stainless steel auxiliary bolt for ease of changing hand.
3. Armored front completely surrounds latch and deadbolt providing increased lateral strength. Staked assembly design allows the armored front to self-align with the door bevel during installation.
4. Enhanced case integrity achieved through four case cover screws (one at each corner), plus interlocking armored front and cover design at the latch.
5. Roller bearing hub mechanism provides smooth, wear resistant operation.
6. Locking toggle includes clear indication of "locked" and "unlocked" states.
7. 40H case, cover, and armored front manufactured from 0.095" cold rolled steel for strength and durability.
8. Fusible link.
9. Four position hub toggle design determines whether each hub is always locked, always unlocked, or locked by key for easy handing change without opening case.
10. Lever return spring mechanism located in trim for enhanced protection against lever droop, providing a firm, positive return of the lever to the horizontal position.
11. Self-aligning trim mechanism for fast, easy, and accurate installation.
12. Curved lip strike and strike box assembly provides an aesthetic, non-handed solution to complement field reversible case.
13. Solid machined cylinder rings with tension spring provide resistance to wrenching of cylinder. Cylinder security screw prevents removal of cylinder without first removing interchangeable core.
14. Visual indicator shows a padlock icon open for unlocked and padlock icon closed for locked.



40H EXPLODED



STRIKE BOX & STRIKE



VISUAL INDICATORS

ADA-Americans With Disabilities Act:

45H Series - The design and operation of the BEST® mortise lock meets the intent of the standard for ANSI A117.1 section 404.2.6.



Builders Hardware Manufacturers Association:

45H Series - ANSI A156.13, Series 1000, Grade 1 Operational, Strength, and Security. To meet Grade 1 Security, drill resistant cores (1CD, 1CDP, 1CDF, and 1CDX) must be used with escutcheon trims, and 1E7K4 high security cylinder must be used with sectional trims (H, R, and S).

47H Series - ANSI A156.13, Series 1000, Grade 1 Operational, Strength, and Security.



Underwriters Laboratories®

The 40H series is listed by Underwriters Laboratories for use on a 3 hour A label doors. These locks also carry the C-UL mark which is officially accepted in all of Canada, indicating compliance with appropriate Canadian standards and codes. The 47H series locks conform to UL437 standard for key locks, referencing door locks. The 1E7J4 cylinder used in the 47H series also conforms to UL437 standard for key locks, referencing high security cylinders, and is listed for Canada as well as the United States.



Florida Building Code (FBC) Listed and Miami-Dade County Code Compliance Office

For “AB” function 40H series lock is certified for use in applications requiring a design pressure rating as specified.

PSF w/o DeadBolt	+60	+35
PSF w/ DeadBolt	+100	+50

The 40H series lock has received a notice of acceptance from Miami-Dade County and is considered Miami-Dade County product control approved.

Auxiliary bolt: Stainless steel, non-handed.

Backset: 2 3/4"

Case: 0.095" cold rolled steel, 5 7/8" H x 7/8" D x 4 1/16" W. Steel is zinc dichromate plated for corrosion protection.

Deadbolt: Stainless steel, 1" throw.

Door Thickness: Standard lock configuration designed for doors 1 3/4" thick. Thick door configuration available for doors up to 5" thick (specify thickness when ordering).

Escutcheons: J – Wrought brass, bronze, or stainless steel base material, 7 1/2" H x 2 3/32" W x 17/32" T. M & N – Forged brass or bronze, 8" H x 2 1/8" W x 37/64" T, through bolt mounted (no exposed screws outside). M – Standard cylinder; N – Concealed cylinder.

Faceplate: Brass or bronze material, 8" H x 1 1/4" W x 1/16" T. Lock face automatically adjusts to proper bevel during installation.

Products protected by one or more of the following patents:
4,873,853 5,590,555 5,794,472

Finishes:

- 605 – bright brass, clear coated
- 606 – satin brass, clear coated
- 611 – bright bronze, clear coated
- 612 – satin bronze, clear coated
- 613* – oxidized satin bronze, oil rubbed
- 618 – bright nickel plated, clear coated (brass base material)
- 619 – satin nickel plated, clear coated (brass base material)
- 622 – flat black coated (brass base material)
- 625 – bright chromium plated (brass base material)
- 626 – satin chromium plated (brass base material)
- 629 – bright stainless steel
- 630 – satin stainless steel
- 690* – dark bronze coated (brass base material)

* 613 finish is designed to wear over time, providing an “antique” appearance. 690 finish will continue as a dark brown appearance over time.

Antimicrobial Finish

- 626AM – satin chrome plated with *UltraShield™* antimicrobial protected coating
- 630AM – satin stainless steel with *UltraShield™* antimicrobial protected coating



The Stanley Security Solutions UltraShield™ finish inhibits the growth of bacteria and other microbes on the surface of the hardware.

Note: Stanley’s UltraShield™ option is recommended for use on any hardware application where product cleanliness is a high priority. i.e.: Hospital/Healthcare, Elderly Care, Education, Transportation, Food-Service, Hospitality.

#4 Knob: Diameter – 2 1/8"; Projection on door – 2 7/8" Material machined from solid brass or bronze.

Decorative and Special Order Lever Handles: Stainless steel base material with applied finish.

Latchbolt: Solid stainless steel, 3/4" throw. Latch is oil-impregnated for anti-friction operation. Reversible without opening case.

Roses: Wrought brass, bronze, or stainless steel base material. H – Flat w/ round edge, 2 3/4" diameter. R – Contoured w/ round edge, 2 3/4" diameter. S – Flat w/ beveled edge, 3 1/2" diameter.

Standard Lever Handles: Brass, bronze, or stainless steel base material for standard lever designs. Lever styles #3, #14, and #15 return to a minimum of 1/2" of door surface. Lever styles #3 and #14 conform to California Titles 19 and 24. Lever styles 12, 16 and 17 do not return. Levers project 2 15/16" from door surface with H, J, R and S trim. Levers project 3 1/64" with M and N trim.

Strike: For complete strike package spec’s see page 5.

Vandal Trim: VT–Vandal trim is available in standard finish for H, J, M, N, R, and S trims in either #14 or #15 levers.

Note: Not available in single or dummy trim functions. If compliance to California Building Code Title 19 & 24 is required, the #14 lever design must be specified.

Visual Indicators: VIN–Visual indication uses an unlocked padlock or locked padlock image with red background to indicate lock state.

UNIVERSAL LOCK DESIGN CONCEPT

Strength, Durability...and now Flexibility.

Sure, a mortise lock is one of the strongest and longest lasting locks available. But who says it has to be the most complex to order and install? When designing the 40H mortise lock, BEST® decided to focus on things that would make the lock easier to use, while at the same time maintaining the strength, durability, and dependability you would expect in a BEST® mortise lock.



In addition to the ability to quickly change the lock handing, the universal case design of the 40H provides the ability to reconfigure a lock into many different functions easily and quickly, often by rearranging existing parts without disassembling the lock case. The efficiency of the design enables over 12 of the most commonly used lock functions to be included in just 3 case configurations.

The 40H provides the ability to postpone decisions on how the lock will be configured all the way up to the point of installation, making it one of the most flexible and user-friendly mortise locks available. This translates into value for anyone involved in the process, whether they're an architect, specification writer, distributor, or end-user.

FLEXIBILITY IN ORDERING

Stanley/BEST offers three ways in which to order the 40H mortise lock. YOU get to choose which method meets your needs.

Function Specific Lock

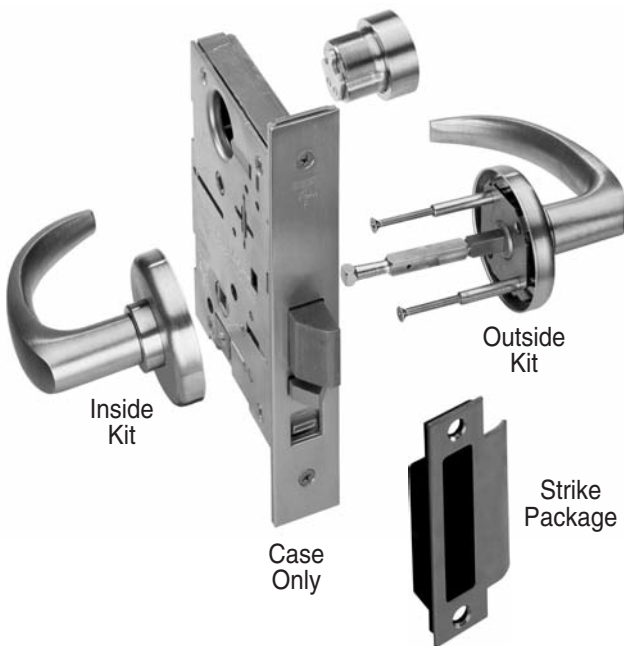
If you know exactly what you need in a mortise lock, and are confident that your needs won't change, then order your 40H locks in the traditional way by specifying the exact function, trim, finish, and handing. BEST® will build the locks to work exactly as specified, so they may or may not have the ability to be converted to another function in the future.

Universal Lock

If you want to keep your options open, this method of ordering the 40H is for you. BEST® has developed three "universal" functions that can be configured to a variety of common functions, all without opening the lock case. When any of the universal functions are ordered as a complete lock, all the necessary parts (including trim) are provided to configure any of the functions in that group.

UNR	ANSI	UNT	ANSI	UNAB	ANSI
A – office	F04	L – privacy	F19	AB – office	F20
AT – office	F04	T – dormitory	F13	TA – dormitory	F12
D – storeroom	F07			TD – dormitory	
N – passage	F01				
NX – exit	F31				
R – classroom	F05				

FOUR-PART LOCK



For the maximum flexibility in ordering a mortise lock, BEST® provides a way to order your 40H lock in four parts: Inside Trim, Case Only, Outside Trim and Strike Packages. The kits that make up these four parts have been carefully designed so that when all three are combined you have everything found in a complete 40H lock. This order method is ideal for customers wanting to stock a variety of trim designs with a minimal number of lock cases.

FUNCTION LETTER CHART

PARTS ORDERING MADE EASY

No more searching through service manuals or calling technical support for the right part numbers. BEST® has developed a variety of kits you can order when you only need part of a 40H mortise, rather than the whole lock.

Case Only

A Case Only lock includes all parts normally included with a complete lock that are not specifically associated with either the inside or outside trim, including: lock case, face plate, strike and strike box, fasteners (for case and strike), and installation instructions.

Case Only mortise locks will be shipped in the standard mortise packaging, allowing trim kits to be included at a future date to make a complete lock.

Trim Kit

A 40H Trim Kit is simply one half of a complete trim package. An Outside Trim Kit must always be matched up with an Inside Trim Kit to operate with a lock. Each kit includes all the necessary parts (including fasteners) required for installation that are associated with just the one side of the door.

Lever Set

A lever set kit provides the inside lever assembly (with set screw) and outside lever assembly (with spindle attached). Thick Door and Tactile Lever options are available for this kit.

Faceplate Kit

Face Plate kit includes a finished faceplate and the appropriate screws. Security Head screws are an option for this kit.

Replacement Spindle

As a security feature, the outside spindle on the 40H is designed to twist off during abuse before any internal damage to the lock occurs. The Replacement Spindle kit is a quick, easy, and inexpensive way to replace any spindles damaged by attack or abuse. This kit includes the inside and outside spindles, plus the pin to attach the outside lever.

Screw Kit

Nothing's more frustrating than spending time searching for the part number of a single screw. With the 40H Screw Kits, you don't have to worry about that anymore. These kits have been designed to provide all the necessary fasteners for one lock in a single bag. All you need to know is the trim style and finish, and you're set. Security head screws are an option for this kit.

ANSI	45H/47H	ANSI	45H/47H
	1DT	F19	L
	2DT	F02	LB
F04	A		LT
F20	AB	F01	N
F04	AT	F31	NX
F21	B	F05	R
	B5	F06	RHB
	B7	F35	S
F08/F10	BA	F13	T
	BW	F12	TA
F09	C		TD
	CHB	F30	W
F07	D	F17	AD
F14	G	F29	RD
F15	H	F16	WD
F15	HJ	F18	YD
F34	INA		UNR
F33	IND		UNT
F32	INL		UNAB

STRIKE PACKAGES

Strike Packages

S1 – Standard strike:

4⁷/₈" x 1¹/₄" x ³/₃₂", handed, curved lip, 1¹/₄" lip to center strike. Fits standard door frame ANSI A115.1, and comes with plastic strike box.



S1 – Standard strike

S5 – Latchbolt-only strike:

4⁷/₈" x 1¹/₄" x ³/₃₂", non-handed, curved lip, 1¹/₄" lip to center strike. Fits standard door frame ANSI A115.1, and comes with wrought steel strike box.



S5 – Latchbolt-only strike

S6 – Latchbolt/Deadbolt strike:

4⁷/₈" x 1¹/₄" x ³/₃₂", non-handed, curved lip, 1¹/₄" lip to center strike. Fits standard door frame ANSI A115.1, and comes with wrought steel strike box.



S6 – Latchbolt/Deadbolt strike

HOW TO ORDER: 45H

45H Series	7 Core Housing	R Function Code	14 Lever/Knob Style	H Trim Style	626 Finishes	RH Door Hand	Options
45H- standard mortise lock	0- non keyed or dummy trim 7- 7 pin housing accepts all BEST cores	A- office D- storeroom L- privacy N- passage R- classroom T- dormitory etc. pages 14-17	Standard Levers: 3- solid tube/return 12- solid tube/no return 14- curved return 15- contour/angle return 16- curved/no return 17- gull wing Knobs: 4- round Decorative & special order levers: pgs 11-13 pages 10-13	H- 2 3/4" dia. R- 2 3/4" dia. S- 3 1/2" dia. J- wrought M- forged N- forged (concealed cyl.) pages 10-11	618 626 630 690 Satin 606 612 613 619 Bright 605 611 622 625 629 Antimicrobial 626AM 630AM page 3	RH RHRB LH LHRB page 8	LL- lead lined SH- security head screws Thick Door- (specify thickness if other than 1 3/4") TAC- tactile lever/knob 7/8 LTC- 7/8" lip-to-center strike RQE- request-to-exit VIN*- visual indicator S1- standard strike S5- latchbolt-only strike S6- latchbolt/deadbolt strike VT- vandal trim

HOW TO ORDER: 47H

47H Series	7 Core Housing	R Function Code	14 Lever/Knob Style	M Trim Style	626 Finishes	RH Door Hand	Options
47H- lever/ knob high security mortise lock	7- 7 pin housing, must use 5C cores and long blade keys	A- office D- storeroom R- classroom T- dormitory etc. pages 14-17	Standard Levers: 3- solid tube/return 12- solid return no return 14- curved return 15- contour/angle return 16- curve/no return 17- gull wing Knobs: 4- round pages 10-13	H- 2 3/4" dia. R- 2 3/4" dia. S- 3 1/2" dia. M- forged pages 10-11	626 630 Antimicrobial 626AM 630AM page 3	RH RHRB LH LHRB page 8	K- non UL cylinder LL- lead lined Thick Door- (specify thickness if other than 1 3/4") TAC- tactile lever/knob 7/8 LTC- 7/8" lip-to-center strike RQE- request-to-exit VIN*- visual indicator S1- standard strike S5- latchbolt-only strike S6- latchbolt/deadbolt strike VT- vandal trim

* These options may not be immediately available.

HOW TO ORDER: 45H CASE ONLY

45HCA Series	R Function Code	626 Finishes	RH Door Hand	Options
45HCA- case only mortise lock	A- office D- storeroom R- classroom T- dormitory etc. pages 14-17	605 606 611 612 613 618 619 622 625 626 629 630 690 page 3	RH RHRB LH LHRB page 8	SH- security head screws 7/8 LTC- 7/8" lip-to-center strike

HOW TO ORDER: 40H TRIM KITS

40HTK Series	OS2 Function Code	14 Lever/Knob Style	H Trim Style	626 Finishes	Options
40HTK- trim kit	IS1- inside lever only IS2- inside lever x thumb turn IS3- inside lever x cylinder IS4*- inside cylinder only IS5- inside thumb turn only IS6- inside lever x cylinder x VIN OS1- outside lever only OS2- outside lever x cylinder OS3- outside lever x emergency plate OS4*- outside cylinder only OS5- outside lever x VIN OS6- inside lever x cylinder x VIN Note: VIN- visual indicator pages 14-17	Standard Levers: 3- solid tube/return 12- solid tube no return 14- curved return 15- contour/angle return 16- curve/no return 17RH- gull wing right hand 17LH- gull wing left hand Knobs: 4- round page 10-13	H- 2 3/4" dia. R- 2 3/4" dia. S- 3 1/2" dia. J- wrought M- forged N- forged (concealed cylinder) page 3	605 606 611 612 613 618 619 622 625 626 629 630 690 page 8	D- double cylinder Thick Door- (specify thickness if other than 1 3/4") SH- security head screws TAC- tactile lever/knob

* Only works with H, R, S, M and N trim.



HOW TO ORDER: 40H STRIKE PACKAGES

40HST	1	626	
Series	Kit Number	Finishes	Options
40HST- strike package	S1- standard strike S5- latchbolt-only strike S6- latchbolt/deadbolt strike 4- strike box only page 4-5	605 606 611 612 613 618 619 622 625 626 629 630 690 page 3	Thick Door- (specify thickness if other than 1 3/4") 7/8LTC- 7/8" lip-to-center strike SH- security head screws

HOW TO ORDER: 40H LEVER SETS

40HLS	14	626	
Series	Lever/Knob Style	Finishes	Options
40HLS- lever set	Levers: 3- solid tube/return 12- solid tube/no return 14- curved return 15- contour/angle return 16- curve/no return 17RH- gull wing-right hand 17LH- gull wing-left hand Knobs: 4- round Decorative & special order levers: pages 11-13 page 3	605 606 611 612 613 618 619 622 625 626 629 630 690 page 3	Thick Door- (specify thickness if other than 1 3/4") SH- security head screws VT- vandal trim

HOW TO ORDER: 40H FACEPLATE KITS

40HFP	3	626		
Series	Kit Number	Finishes	Options	
40HFP- faceplate kit	0- AB 1- BW, TD, H, HJ 2- A 3- AT, D, C, INL, NX, R, W 4- N, LT 5- AD, RD, YD, WD page 4-5	6- blank 7- BA, S, TA 8- B, G, IND, L, LB, T 9- CHB, RHB 10- blank (without logo)	605 606 611 612 613 618 619 622 625 626 629 630 690 page 3	SH- security head screws

HOW TO ORDER: 40H REPLACEMENT SPINDLES

40HRS	2	
Series	Function Code	Options
40HRS- replacement spindle kits	2- 40H split spindle (standard) 4- 40H hook spindle * page 3	Thick Door- (specify thickness if other than 1 3/4")

*Hook spindle is available for 1 3/4" thick door only.

HOW TO ORDER: 40H VANDAL TRIM RETROFIT KIT

40HVTK	2	626	
Series	Lever Style	Lever Style	Options
40HVTK- vandal trim kit	14*- curved return 15- contour/angle return page 3	605, 606, 611, 612, 613 618 619, 622, 625, 626 629, 630, 690	Thick Door- (specify thickness if other than 1 3/4")

*Complies with California Building Code Title 10 and Title 24, part 12

HOW TO ORDER: 40H SCREW KITS

40HSK	1	626	
Series	Kit Number	Finishes	Options
40HSK- screw kits	1- H, R, S, J trim screw kit 2- M, N trim screw kit 3- special purpose fasteners screw kit 4- surface mounted trim screw kit 5- VIN trim screw kit page 4-5	606 612 613 622 626 page 3	Thick Door- (specify thickness if other than 1 3/4") SH- security head

SPECIAL FEATURES

Lead Lined Feature – The 40H mortise lock can be lead lined to protect against x-rays. Since the majority of lead lined doors contain the lead in the surface of the door, the 40H provides lead lining for the holes cut in the door when preparing the door for the trim. The two holes that are lead lined are the lever hole and the cylinder hole. (except in double cylinder or non-keyed functions).

To order: designate “LL” on order procedure (page 6-7)

Security Head Screws – Security head screws.

To order: designate “SH” on 45H/47H in order procedure (page 6-7).

Tactile Feature Knob/Lever – This option is for use in applications where special notice is needed to warn the blind about safety or accessibility environments. Depending on the style ordered, the knob or lever will receive either grooves or knurling as the tactile feature.

To order: designate “TL” on 45H/47H knobs/levers in order procedure (page 6-7).

Visual Indicator Feature – This option adds a visual indicator for certain functions that visually reflects whether the lockset is in the locked or unlocked. This option is available for the following functions: TD– Dormitory, IND– Intruder, INL– Intruder, L– Privacy, LT– Privacy, S– Storeroom. Visual indicator feature is standard on the H– Hotel function (page 2).

Vandal Trim – VT–Vandal trim is available in standard finish for H, J, M, N, R, and S trims in either #14 or #15 levers.

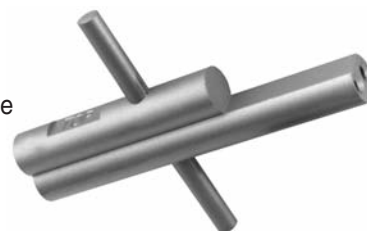
Note: Not available in single or dummy trim functions. If compliance to California Building Code Title 19 & 24 is required, the #14 lever design must be specified.

SERVICE EQUIPMENT

ED211 Mortise Cylinder Wrench –

The BEST mortise cylinder wrench and test handle is an essential dual-purpose tool. It is used primarily to install or remove Stanley/BEST mortise cylinders without marring the cylinder surface finish. The single end may be used to test the lock operation, as well as aligning the throw pins.

To order specify: ED211 mortise cylinder wrench.

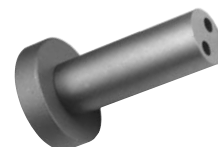


ED211

ED212 Mortise Cylinder Cam Assembly Tool –

Mortise cylinder cams are quickly changed with the use of this tool. Approx. length 1 3/4”.

To order specify: ED212 assembly tool.



ED212

ED221 Mortise Cylinder Thread Repair Die –

Tool for rethreading 1 5/32” diameter cylinders.

To order specify: ED221 thread repair die.

ED225 Hole Tap for 1 5/32” Mortise Cylinder –

Tap tool used to rethread housing threads for 1E Mortise Cylinders.

To order specify: ED225 hole tap.

KD316 Spanner Wrench (C54466) –

All “H” locksets require the use of the KD316 spanner wrench for door mounting.

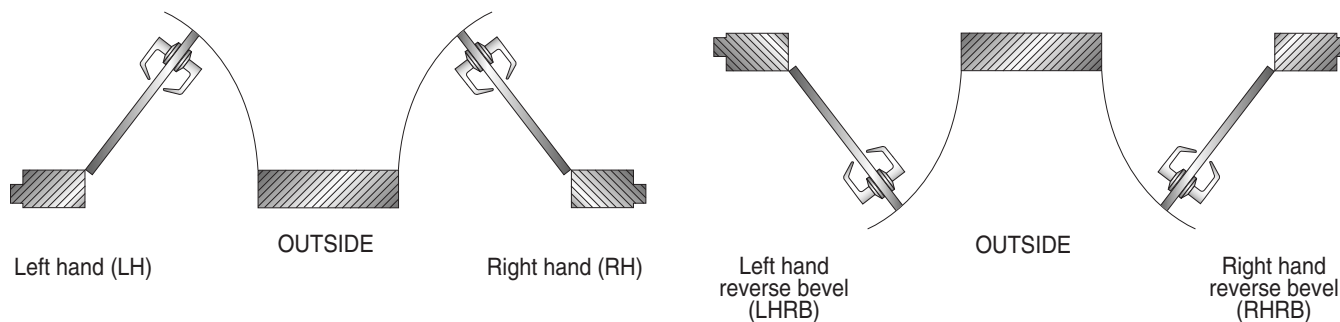
This tool is include with every (10) locksets ordered.

If more are needed designate quantity and **KD316** on your order.



KD316

HAND OF DOOR



A. Locksets and Latchsets:

[Best Access Systems.] - [_____.] [_____.]

1. Base Specification: Best Access Systems components as listed in Hardware Schedule per Article 3.05.
2. Locksets and latchsets of other acceptable manufacturers must conform to the requirements of Subparagraphs 3 and 4.
3. Mortise Type:
 - a. Locksets shall be tested and approved by BHMA for ANSI A156.13, Series 1000, Operational Grade 1, Extra-Heavy Duty, Security Grade 2 and be UL10C
 - b. Locksets shall be mortise type with solid 3/4 inch throw one-piece radiused latchbolt made of self-lubricating stainless steel. Deadbolt functions shall be one inch projection stainless steel construction. Both deadbolt and latchbolt to extend into lock case with reinforcing a minimum of 3/8 inch when fully extended.
 - c. Knobs to be [_____] design.
Levers to be [_____] design.
 - d. Furnish locksets and latchsets with sufficient strike lip to protect door trim.
 - e. Provide locksets with 7 pin [BEST] interchangeable core cylinders. [All mortise cylinders shall have a concealed internal set screw for securing the cylinder to the lockset. The internal set screw will be accessible only by removing the core from the cylinder body with a control key]
 - f. All mortise locksets and latchsets must conform to ANSI A156.13, Series 1000, Operational Grade 1 [Security Grade 2 for locksets in security areas] and be listed by UL. [High Security Option: All mortise locksets must conform to ANSI A156.13, Series 1000, Operational Grade 1, Security Grade 1 and listed by UL, and must include interchangeable core cylinders which conform to High Security Cylinder requirements of UL 437.]
 - g. Locksets must fit ANSI A115.1 door preparation.
 - h. Locksets and latchsets to have self-aligning through-bolted trim.
 - i. Locksets and latchsets must have the ability to change handing without opening case.
 - j. Auxiliary latch to be made of one-piece self-lubricating stainless steel.
 - k. Locksets must be available with tactile or knurled knobs or levers for identification of hazardous areas.
 - l. Lever handles must be of forged or cast brass, bronze or stainless steel construction and conform to ANSI A117.1. Levers which contain a hollow cavity are not acceptable.

Subparagraphs m through r describe quality features of Best mortise locksets which may or may not be available from other lock manufacturers. Edit accordingly.

- m.[Spindle to be such that if forced it will twist first, then break, thus preventing forced entry.]
- n. [Knobs and levers to be operated with a roller bearing spindle hub mechanism.]
- o. [Permanent core face must be the same finish as the lockset finish.]
- p. [Cylinder retaining screw, auxiliary latch, and strike must be non-handed.]
- q. [Locking toggle on face of door must clearly indicate whether mortise lock is in the “locked” or “unlocked” state.]
- r. [Cover and armored front must interlock at the latch, preventing the cover from spreading or bowing while under duress.]

Subparagraphs s through x describe quality features of Best mortise locksets which may or may not be available from other lock manufacturers. Subparagraphs s, t, and u should remain as a group, and subparagraphs v, w, and x should remain as a group. Choose either s-u or v-x, but not both groups.

- s. [Mortise lock to offer a complete lock (including trim) with the ability to be configured in the field to any of the following ANSI functions: F01, F04, F05, F07, F31.]
- t. [Mortise lock to offer a complete lock (including trim) with the ability to be configured in the field to any of the following ANSI functions: F19, F13]
- u. [Mortise lock to offer a complete lock (including trim) with the ability to be configured in the field to any of the following ANSI functions: F12, F20]
- v. [Mortise lock to offer a multi-function case with the ability to be configured in the field to any of the following ANSI functions: F01, F04, F05, F07, F09, F30, F31, F32.]
- w.[Mortise lock to offer a multi-function case with the ability to be configured in the field to any of the following ANSI functions: F13, F19, F33.]
- x. [Mortise lock to offer a multi-function case with the ability to be configured in the field to any of the following ANSI functions: F12, F15, F20]

40H SERIES - STANDARD LEVERS, KNOB & TRIMS



Knob- 4
Rose - H



Knob- 4
Rose - R



Knob- 4
Rose - S



Knob- 4
Escutcheon - J



Knob- 4
Escutcheon - N



Lever- 3
Rose - H



Lever- 12
Rose - H



Lever- 14
Rose - H



Lever- 15
Rose - H



Lever- 16
Rose - H



Lever- 17
Rose - H



Lever- 3
Rose - R



Lever- 12
Rose - R



Lever- 14
Rose - R



Lever- 15
Rose - R



Lever- 16
Rose - R



Lever- 17
Rose - R

40H SERIES - STANDARD LEVERS, KNOB & TRIMS



Lever- 3
Rose - S



Lever- 12
Rose - S



Lever- 14
Rose - S



Lever- 15
Rose - S



Lever- 16
Rose - S



Lever- 17
Rose - S



Lever- 3
Escutcheon - J



Lever- 12
Escutcheon - J



Lever- 14
Escutcheon - J



Lever- 15
Escutcheon - J



Lever- 16
Escutcheon - J



Lever- 17
Escutcheon - J



Lever- 3
Escutcheon - M



Lever- 12
Escutcheon - M



Lever- 14
Escutcheon - M



Lever- 15
Escutcheon - M



Lever- 16
Escutcheon - N

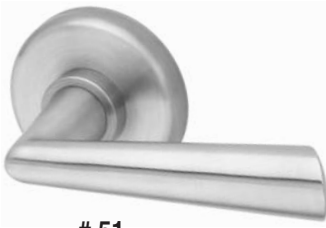


Lever- 17
Escutcheon - N

40H SERIES - DECORATIVE LEVERS



50



51



52



53



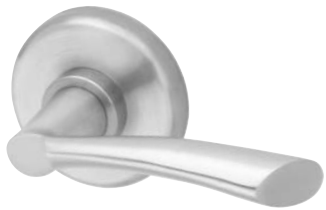
54



55



60



61



62



63



64



65



66



67



68



69



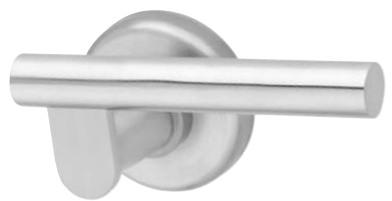
70



71



72



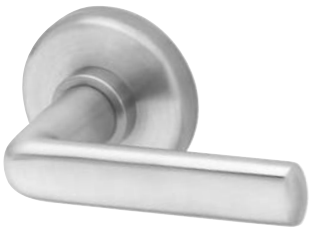
73



74



40H SERIES - DECORATIVE LEVERS



75



76



77



78



79



80



81



82



83



84



85



86



87



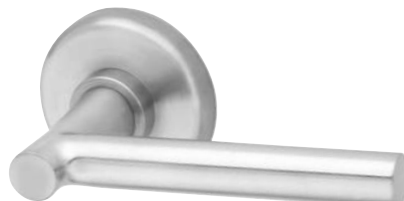
88



89

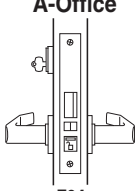
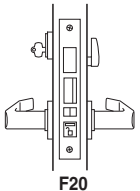
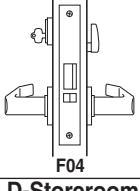
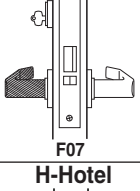
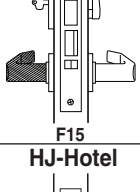
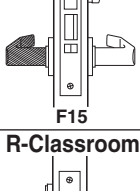
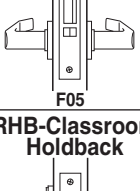
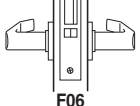


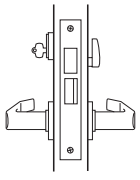
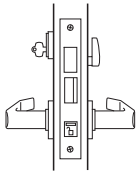
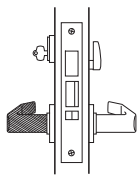
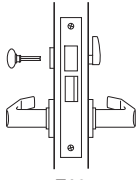
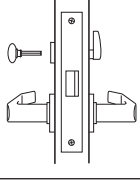
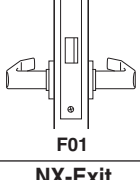
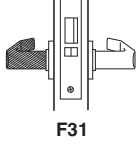
90



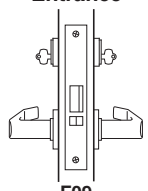
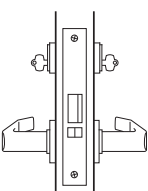
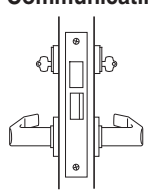
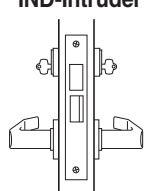
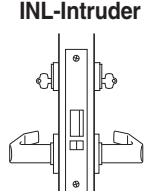
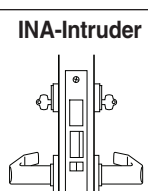
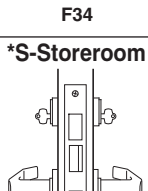
91

FUNCTIONS

Function & Diag. ANSI No.	Description Latch operated by	Outside Lever or Knob			Inside Lever or Knob	
		Deadbolt operated by	Locked by	Unlocked by	Locked by	Unlocked by
Single Keyed						
 A-Office F04	<ul style="list-style-type: none"> Rotating inside lever, Rotating outside lever—only when locking toggle is in unlocked position, Turning key in outside cylinder. 	N/A	Placing locking toggle in locked position	Placing locking toggle in unlocked position	Cannot be locked	Always unlocked
The latchbolt is deadlocked with an auxiliary deadlatch						
 AB-Office F20	<ul style="list-style-type: none"> Rotating inside lever, Rotating outside lever—only when locking toggle is in unlocked position, Turning key in outside cylinder. 	<ul style="list-style-type: none"> Turning key in outside cylinder, Inside turn lever, Inside lever retracts deadbolt and latch simultaneously. 	<ul style="list-style-type: none"> Placing locking toggle in locked position, Projecting deadbolt by key or turn lever. 	Turning key in outside cylinder and placing locking toggle in unlocked position	Cannot be locked	Always unlocked
The latchbolt is deadlocked with an auxiliary deadlatch						
 AT-Office F04	<ul style="list-style-type: none"> Rotating inside lever, Rotating outside lever only when unlocked by key or turn lever, Turning key in outside cylinder. 	N/A	<ul style="list-style-type: none"> Turning inside turn lever, Turn key in outside cylinder. 	<ul style="list-style-type: none"> Turning inside turn lever, Turning key in outside cylinder. 	Cannot be locked	Always unlocked
The latchbolt is deadlocked with an auxiliary deadlatch						
 D-Storeroom F07	<ul style="list-style-type: none"> Rotating inside lever, Turning key in outside cylinder. 	N/A	Always locked	Cannot be unlocked	Cannot be locked	Always unlocked
The latchbolt is deadlocked with an auxiliary deadlatch						
 H-Hotel F15	<ul style="list-style-type: none"> Rotating inside lever, Turning key in outside cylinder. 	<ul style="list-style-type: none"> Turning inside turn knob Turning key in O/S cylinder. (Rotating inside lever retracts deadbolt and latch simultaneously). 	Always locked	Cannot be unlocked	Cannot be locked	Always unlocked
The latchbolt is deadlocked with an auxiliary deadlatch. Throwing deadbolt blocks out all keys except "ER" key.						
 HJ-Hotel F15	<ul style="list-style-type: none"> Rotating inside lever, Turning key in outside cylinder. 	<ul style="list-style-type: none"> Turning inside turn lever, Turning emergency key in O/S cylinder. (Rotating inside lever retracts deadbolt and latch simultaneously.) 	Always locked	Cannot be unlocked	Cannot be locked	Always unlocked
The latchbolt is deadlocked with an auxiliary deadlatch. Throwing deadbolt blocks out all keys except "ER" key.						
 R-Classroom F05	<ul style="list-style-type: none"> Rotating inside lever, Rotating outside lever only when unlocked by key, Turning key in outside cylinder. 	N/A	Turning key in outside cylinder	Turning key in outside cylinder	Cannot be locked	Always unlocked
The latchbolt is deadlocked with an auxiliary deadlatch						
 RHB-Classroom Holdback F06	<ul style="list-style-type: none"> Rotating inside lever, Turning key in outside cylinder, O/S lever except when locked by outside key, Latchbolt held retracted by turning O/S key while holding up I/S lever. 	N/A	Turning key in outside cylinder	Turning key in outside cylinder	Cannot be locked	Always unlocked
The latchbolt is deadlocked with an auxiliary deadlatch						

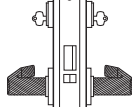
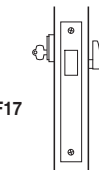
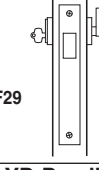
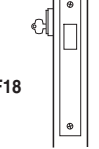
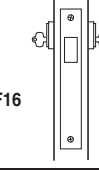
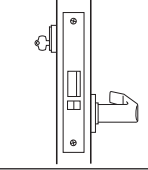
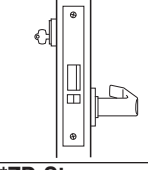
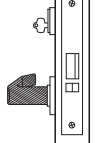
Function & Diag. ANSI No.	Description	Outside Lever or Knob		Inside Lever or Knob		
		Latch operated by	Deadbolt operated by	Locked by	Unlocked by	Locked by
Single Keyed (continued)						
T-Dormitory  F13	<ul style="list-style-type: none"> Rotating inside lever, Rotating outside lever—only when deadbolt is retracted Turning key in outside cylinder. 	<ul style="list-style-type: none"> Turning key in outside cylinder, Inside turn lever, Inside lever retracts deadbolt and latch simultaneously. 	<ul style="list-style-type: none"> Turning key in outside cylinder, Turning inside turn lever. 	<ul style="list-style-type: none"> Turning key in outside cylinder, Turning inside turn lever, Rotating inside lever. 	Cannot be locked	Always unlocked
TA-Dormitory  F12	<ul style="list-style-type: none"> Rotating inside lever, Rotating O/S lever only when locking toggle is in unlocked position and deadbolt is retracted, Turning key in outside cylinder. 	<ul style="list-style-type: none"> Turning key in outside cylinder, Turning inside turn lever. (Rotating inside lever retracts deadbolt and latch simultaneously.) 	<ul style="list-style-type: none"> Placing locking toggle in locked position, Projecting deadbolt by key or turn lever. 	Turning key in outside cylinder and placing locking toggle in unlocked position	Cannot be locked	Always unlocked
TD-Dormitory  	<ul style="list-style-type: none"> Rotating inside lever, Turning key in outside cylinder. 	<ul style="list-style-type: none"> Turning inside turn lever, Rotating inside lever retracts deadbolt and latch simultaneously.), Turning key in outside cylinder. 	Always locked	Cannot be unlocked	Cannot be locked	Always unlocked
The latchbolt is deadlocked with an auxiliary deadlatch						
Non-Keyed						
L-Privacy  F19	<ul style="list-style-type: none"> Rotating inside lever, Rotating outside lever only when deadbolt is retracted. 	<ul style="list-style-type: none"> Turning the emergency key, Turning inside turn lever. (Rotating inside knob/lever retracts deadbolt and latch simultaneously.) 	<ul style="list-style-type: none"> Turning inside turn lever, Turning the emergency key. 	<ul style="list-style-type: none"> Turning inside turn lever, Rotating inside lever retracts latch and deadbolt simultaneously, Turning the emergency key. 	Cannot be locked	Always unlocked
LT-Privacy  	<ul style="list-style-type: none"> Rotating inside lever, Rotating outside lever only when turn knob is unlocked. 	N/A	<ul style="list-style-type: none"> Turning inside turn lever, Turning the emergency key. 	<ul style="list-style-type: none"> Turning inside turn lever, Rotating inside lever, Turning the emergency key. 	Cannot be locked	Always unlocked
N-Passage  F01	Rotating inside or outside lever	N/A	Cannot be locked	Always unlocked	Cannot be locked	Always unlocked
NX-Exit  F31	Rotating inside lever	N/A	Always locked	Cannot be unlocked	Cannot be locked	Always unlocked
The latchbolt is deadlocked with an auxiliary deadlatch						

FUNCTIONS

Function & Diag. ANSI No.	Description	Outside Lever or Knob			Inside Lever or Knob	
		Latch operated by	Deadbolt operated by	Locked by	Unlocked by	Locked by
Double Keyed*						
*C-Public Entrance  F09	<ul style="list-style-type: none"> Rotating inside lever, Rotating outside lever only when unlocked by key in inside cylinder, Turning key in outside cylinder only. 	N/A	Turning key in inside cylinder	Turning key in inside cylinder	Cannot be locked	Always unlocked
The latchbolt is deadlocked with an auxiliary deadlatch. When required, inside cylinder may be combined to operate by master key only.						
CHB-Holdback  	<ul style="list-style-type: none"> Turning outside key, Rotating outside lever only when unlocked by key in inside cylinder, Inside lever, Latchbolt held retracted by turning inside key while holding up on inside lever. 	N/A	Turning key in inside cylinder	Turning key in inside cylinder	Cannot be locked	Always unlocked
The latchbolt is deadlocked with an auxiliary deadlatch.						
G-Communicating  F14	Rotating inside or outside lever— only when deadbolt is retracted	Turning key in inside or outside cylinder	Turning key in inside or outside cylinder	Turning key in inside or outside cylinder	Turning key in inside or outside cylinder	Turning key in inside or outside cylinder
IND-Intruder  F33	<ul style="list-style-type: none"> Turning key in inside or outside cylinder, Rotating outside lever when deadbolt is retracted, Rotating inside lever. 	<ul style="list-style-type: none"> Turning key in outside or inside cylinder, Rotating inside lever (Retracts the deadbolt and latch simultaneously). 	Extending the deadbolt by turning key in inside or outside cylinder	<ul style="list-style-type: none"> Retracting the deadbolt by turning key in inside or outside cylinder, Rotating inside lever (Retracts the deadbolt and latch simultaneously). 	Cannot be locked	Always unlocked
INL-Intruder  F32	<ul style="list-style-type: none"> Rotating inside lever, Rotating outside lever only when unlocked by inside or outside key, Turning key in inside or outside cylinder. 	N/A	Turning key in inside or outside cylinder	Turning key in inside or outside cylinder	Cannot be locked	Always unlocked
The latchbolt is deadlocked with an auxiliary deadlatch. When required, inside cylinder may be combined to operate by master key only.						
INA-Intruder  F34	<ul style="list-style-type: none"> Turning key in inside or outside cylinder, Rotating outside lever when deadbolt is retracted, Rotating inside lever. 	<ul style="list-style-type: none"> Turning key in outside or inside cylinder, Rotating inside lever (Retracts the deadbolt and latch simultaneously). 	Extending the deadbolt by turning key in inside or outside cylinder	<ul style="list-style-type: none"> Retracting the deadbolt by turning key in inside or outside cylinder, Rotating inside lever (Retracts the deadbolt and latch simultaneously). 	Cannot be locked	Always unlocked
The latchbolt is deadlocked with an auxiliary deadlatch. When required, inside cylinder may be combined to operate by master key only.						
*S-Storeroom  F35	<ul style="list-style-type: none"> Rotating inside lever, Rotating outside lever only when locking toggle is in unlocked position and deadbolt is retracted, Turning key in inside or outside cylinder. 	Turning key in inside or outside cylinder	Placing locking toggle in locked position	Turning key in outside cylinder or inside cylinder and placing locking toggle in unlocked position	Extending the deadbolt	Retracting the deadbolt

***ATTENTION:** Locksets that secure both sides of the door are controlled by building codes and the Life Safety Code®. In an emergency exit situation, failure to quickly unlock the inside lever could be hazardous or even fatal.

FUNCTIONS

Function & Diag. ANSI No.	Description Latch operated by	Outside Lever or Knob			Inside Lever or Knob	
		Deadbolt operated by	Locked by	Unlocked by	Locked by	Unlocked by
Double Keyed* (continued)						
*W-Storeroom  F30	Turning key in inside or outside cylinder	N/A	Always locked	Cannot be unlocked	Always locked	Cannot be unlocked
The latchbolt is deadlocked with an auxiliary deadlatch. When required, inside cylinder may be combined to operate by master key only.						
Deadlocks						
AD-Deadlock  F17	N/A	<ul style="list-style-type: none"> Turning key in outside cylinder Turning inside turn lever. 	N/A	N/A	N/A	N/A
RD-Classroom Deadlock  F29	N/A	<ul style="list-style-type: none"> Turning key in outside cylinder Turning inside turn lever.* 	N/A	N/A	N/A	N/A
*Function RD—the inside turn knob retracts deadbolt but will not project it. (Specify hand of door.)						
YD-Deadlock  F18	N/A	Turning key in outside cylinder only	N/A	N/A	N/A	N/A
WD-Deadlock  F16	N/A	Turning key in outside or inside cylinder	N/A	N/A	N/A	N/A
Special						
XR-Classroom 	<ul style="list-style-type: none"> Rotating inside lever, Turning key in outside cylinder. 	N/A	N/A	N/A	Cannot be locked	Always unlocked
XRHB-Classroom Holdback 	<ul style="list-style-type: none"> Rotating inside lever, Turning key in outside cylinder. Latchbolt held retracted by turning O/S key while holding up I/S lever 	N/A	N/A	N/A	Cannot be locked	Always unlocked
The latchbolt is deadlocked with an auxiliary deadlatch						
*ZD-Storeroom 	Turning key in outside cylinder	N/A	Always locked	Cannot be unlocked	N/A	N/A
The latchbolt is deadlocked with an auxiliary deadlatch						

***ATTENTION:** Locksets that secure both sides of the door are controlled by building codes and the Life Safety Code®. In an emergency exit situation, failure to quickly unlock the inside lever could be hazardous or even fatal.

48H/49H SERIES-MORTISE DEADLOCKS

Specifications

Case: 0.095" cold rolled steel, 3 3/8" x 4 3/16" x 1". Steel is zinc dichromate plated for corrosion protection.

Faceplate: Brass or bronze material, 5 3/8" x 1 3/16" x 7/32".

Strike: Brass, bronze, or stainless steel base material.

48HS1: Flat strike supplied standard, 3 1/2" x 1 1/8" x 3/32"

Fits standard door frame cut-out as specified in ANSI A115.5.

48HS2: Lipped strike supplied as option, 4 7/8" x 1 1/4" x 3/32".

Fits standard door frame cut-out as specified in ANSI A115.1.

Backset: 2 3/4"

Door Thickness: Standard lock configuration designed for doors 1 3/4" thick.

Thick door configuration available for doors up to 3" thick (specify thickness when ordering).

Note: "R" function not available for thick door.

Deadbolt: Stainless steel, 1" throw

Trim: 48H: Cylinder and trim ring only.

49H: M escutcheon supplied; refer to 47H specification for dimensions.

Finishes: 48H: Available in all finishes offered for 45H.

49H: Available in 626 only.



48H/49H FUNCTION CHART

Function & Diag. BHMA#	Deadbolt operated by:	Function & Diag. BHMA#	Deadbolt operated by:
*K-Cylinder Deadlock EO6071	<ul style="list-style-type: none"> Rotating the inside thumb turn rosette, Turning the outside key. 	*M-Cylinder Deadlock EO6061	Turning the outside or inside key
*L-Cylinder Deadlock EO6081	Turning the outside key	*R-Cylinder Deadlock EO6091	<ul style="list-style-type: none"> Turning the outside key, Rotating the inside thumb turn cylinder assembly retracts the deadbolt, but will not project it.

***ATTENTION:** Locksets that secure both sides of the door are controlled by building codes and the Life Safety Code®. In an emergency exit situation, failure to quickly retract the deadbolt could be hazardous or even fatal.

NOTES: Specify the hand of door when ordering. The R function deadlock can only be used on 1 3/4" thick doors.

HOW TO ORDER - 48H/49H SERIES

48H Series	7 Core Housing	K Function Code	S1	626 Standard Finishes	Options
48H- standard	0-less cylinder (48H only)	K- cylinder x turn L- cylinder only	S1- flat strike (default)	48H- 605 606 611 612 613 618	48H: SH- security head
49H- high security	7-7-pin housing 48H accepts all Best cores; 49H only 5C cores	M- double cylinder R- classroom cylinder x turn	S2- ANSI strike	619 625 626 690 49H- 626 ONLY	49H: K- non UL cylinder

**Must specify key mark and number of keys or designate L/C for less core.



STANDARD MORTISE CYLINDER

Standard 1E74 Mortise Cylinder

Designed for standard security applications, BEST® offers the 45H/48H mortise locksets, utilizing the 1E74 mortise cylinder and special interchangeable core. Special cylinder variations are available for most applications. Stanley/Best cylinders are machined from solid brass or bronze bar stock. Additional security is provided by a set screw that mounts diagonally into the cylinder wall. This set screw prevents unauthorized removal of the cylinder without use of the control key.



1E74
Standard Mortise Cylinder

1E74 Cylinder Specifications

Diameter: 1 ⁵/₃₂" . 1.150-32 (NS-2A) threaded mortise cylinder.

Length: 1 ¹/₄"

Material: Brass or bronze.

Finish: Supplied to match mortise lockset trim (see specifications, page 3).

Cylinder Ring: Wrench resistant ring with tension spring, machined from all brass or bronze. Proper length automatically provided with lockset. For more ring information see cylinder catalog.

Cam: Proper cam provided for cylinder as required by designated function on order. Special cams available; see cylinder catalog section.

HIGH SECURITY CYLINDER

1E7J4 High Security Cylinder

Designed for high security applications, BEST® offers the 47H/49H mortise locksets, utilizing the 1E7J4 high security cylinder and special 5C interchangeable core. This special cylinder is listed by Underwriters Laboratories as conforming to Standard UL437 for high security cylinders. The patented cylinder provides additional strength through a hardened stainless steel alloy ring, face and keyway disc. It can be masterkeyed into any Stanley/Best masterkey system. It is available in most keyed functions (All functions are certified to ANSI A156.13 Security Grade 1.) and is supplied only with "M" trim. Cylinder also conforms to ANSI A156.5 Mortise Cylinder, Grade 1A.

Note: 1E7J4 must be combined at factory to comply to UL437. 1E7K4 is combined in the field and may be ordered less core.



1E7J4
High Security Cylinder

1E7J4 Cylinder Specifications

Diameter: 1 ⁵/₃₂" . 1.150-32 (NS-2A) threaded mortise cylinder.

Length: 1 ¹/₁₆"

Materials: Brass and stainless steel.

Finish: Stainless steel base plated to match 626 finish.

Cylinder Ring: High security wrench resistant, machined from stainless steel, hardened. Proper length automatically provided with lockset. Special door preparation required. Diameter of hole 1 ³/₄".

Cylinder Face,

Keyway Disc: Stainless steel, hardened.

Cam: Proper cam provided for cylinder as required by designated function order.



47H Mortise Lock
with #4 knob



47H Mortise Lock
with #14 lever

(Note: 1E7J4 requires long blade key for operation.)



For more information on Stanley Security Solutions' products, services, and office locations visit our web site at www.stanleysecuritysolutions.com

Product information contained in this catalog has been compiled and presented with as much care and completeness as is reasonably possible. Errors or mistakes may be present, and in many cases, reliance has been placed on information supplied by other manufacturers which may be in error or which may be subject to changes or modifications by the manufacturer without notice and without obligation. Therefore, no guarantee can be made or should be assumed or implied with regards to product information contained in this catalog.



Stanley Security Solutions, Inc.

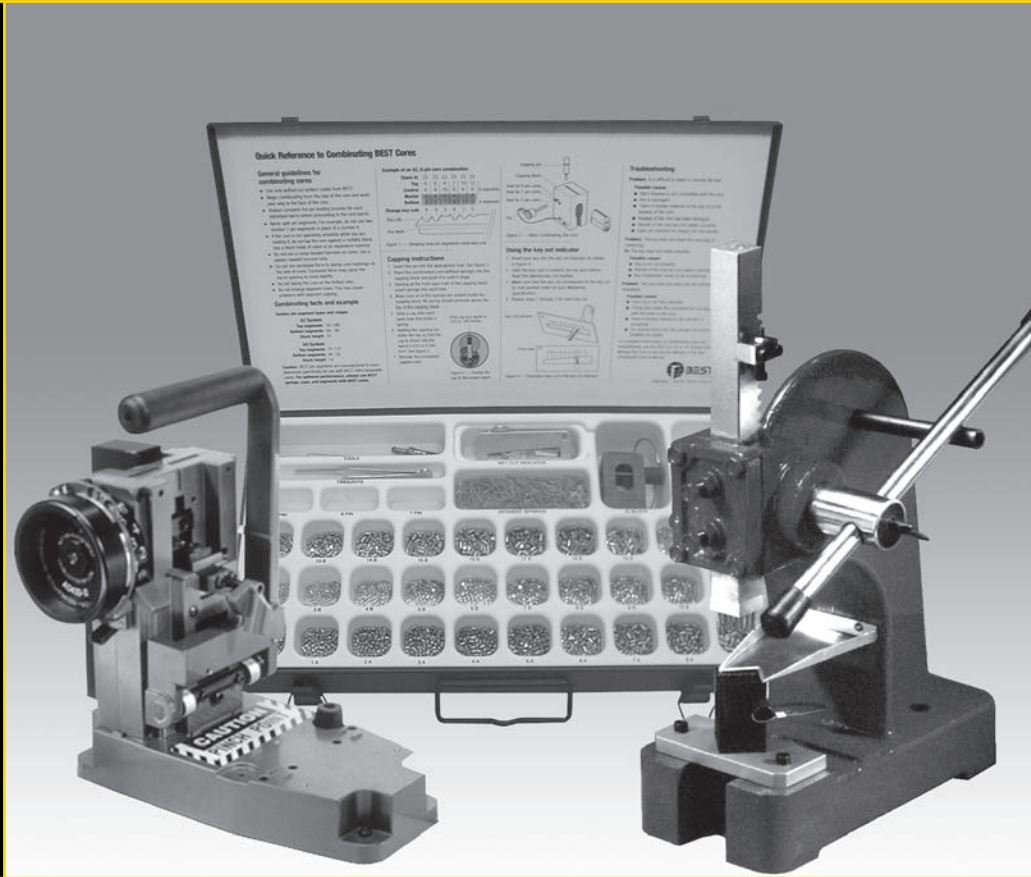
6161 E. 75th Street Indianapolis, Indiana 46250

© 2010 Stanley Security Solutions, Inc. • www.stanleysecuritysolutions.com

10M R1110
BAS018

STANLEY
Security Solutions

SERVICE EQUIPMENT



D SERIES

SERVICE EQUIPMENT



TABLE OF CONTENTS

COMBINATING SERVICE EQUIPMENT	Page	Page	
CD431/5ED250 Combining Kit	2	CORMAX™ Patented Keying System	5
AD433 Key Combinator	2	QU-I.C-SYSTEM COMBINATING TOOL PACKAGES	
AD502(D) Digital Calibration Gauge	2	QU-I.C-System Combining Tool Packages	6
AD434 Standard Key Carriages	2	QU-I.C-System Combining Tool Descriptions	7
AD501 Key Cut Indicator	2	CYLINDRICAL/TUBULAR	
CD517 Core Capping/Decapping Press	3	83KA2A/83KA2B Adaptor Kits	8
CD549 Combining Tweezer	3	KD352 Adaptation Cut-off fixture	8
CD540 Best Core Capping Block	3	KD303 Through Bolt Drill Jig	8
CD548 Ejector Pin	3	KD315 Face Plate Marking Chisel	9
CD547 Hand Capping Pin	3	KD325 Strike Plate Locating Pin	9
DD513 Core and Key Marking Block	4	KD304A Boring Jig Kits	9
CD535 Graphite Gun	4	PADLOCK SERVICE EQUIPMENT	
CD433 Combining Parts Bin	4	11B20FF Frangible Shackle Replacement Kit	9
AD504A Key Marking Plate	4	BD654 Padlock Disassembly Tool	9
DD502/DD503 Letter and Number Dies	5	MORTISE AND RIM CYLINDER	
DD537 BEST LPS Spray Lubricant	5	ED211 Mortise Cylinder Wrench	10
5E Cylinder service equipment	5	ED212 Mortise Cylinder Cam Assembly Tool	10

COMBINATING SERVICE EQUIPMENT

CD431 Combining Kit

This small desk-drawer size kit contains everything necessary to combine a BEST® core. It includes a complete selection of pin segments, springs, caps, a capping block, two capping pins, an ejector pin, tweezers, two standard keys and a key gauge. When securely closed, the kit may be carried in any position without mixing contents. Kits can be ordered separately or combined (1C core) & (5E cylinder).

To order 1C kit only:

- CD431-2 (A2 system)
- CD431-3 (A3 system)
- CD431-4 (A4 system)

To order 1C & 5E combined kit:

- CD431-25E (A2 system)
- CD431-35E (A3 system)
- CD431-45E (A4 system)

Pin segments (included in kit) Close tolerance segments assist in accurate combining. Core springs (included in kit) This properly sized spring facilitates consistent action in all BEST® figure 8 cores.

To order specify: 22S springs.

Core caps (included in kit) Barrels are securely sealed by applied core caps.

To order specify: 21C caps

5ED250 Combining Kit (Single Shearline)

Similar to standard CD431 kit for figure 8 cores, the single shearline kit provides a special 5ED261 capping block, springs (5ES1) and caps (5ECP). 5ED253 thread tap. See page 5 for details.

To order specify: 5ED250 – 2 (for A2 system), 5ED250 – 3 (for A3 system), 5ED250 – 4 (for A4 system)

AD433 Key Combinator

The key combinator is used to cut new or additional keys when required. BEST® combinations are cut in accordance with the original masterkeyed code with no reliance on a pattern key. As a result, inaccurate tolerances are not introduced into and compounded within the system as second, third and fourth generation keys are cut. **Note:** Key combinator is available for standard, premium, or Peaks systems.

To order specify:

- AD433-2 (A2 system); AD433-3 (A3 system); AD433-4 (A4 system);
- AD433P (Premium); AD436 (Peaks 6-pin); AD437 (Peaks 6-pin).

AD434 Key Carriages

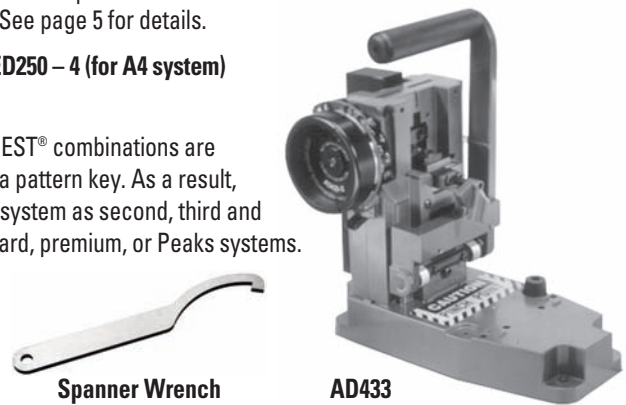
Additional key carriages for the AD433 key combinator allow you the flexibility to change from one keyway style to another. Changing carriages is simplified by the modular design of the combinator and chassis. Note: The AD502(D) Calibration Gauge must be used when changing carriages to verify the accuracy of key cuts. (Please refer to the key combinator service manual for detailed instructions).

To order specify: AD434 Carriage; AD434P Carriage for premium keyways

(Available only to registered BEST® Master Keyed System owners.)



CD431



Spanner Wrench

AD433

AD501 Key Cut Indicator (included in kit)

The key cut indicator makes it possible to immediately determine the proper cut of BEST® keys. (For accurate test, use AD502(D) Digital Calibration gauge; see below.) Key cut indicator is heavy steel, 2 13/16" x 1 1/4".

To order specify:

AD501-2 (for A2 system)

AD501-3 (for A3 system)

AD501-4 (for A4 system)



AD501

AD502(D) Digital Calibration Gauge

The new combinator calibration gauge (Manual or (D) Digital) is designed to be used with the AD433 and AD433P key combinators. It can be used for normal combinator inspection and adjustments, or for calibrating the combinator after changing carriages. Each gauge comes complete with detailed instructions for use.

To order specify:

AD502 Manual; AD502(D) Digital



AD502(D) Digital Calibration Gauge

CD517 Core Capping/ Decapping Press (Heavy Duty)

In one smooth operation, this press seals all barrels of either a 6 or 7 pin combined core. The cap seating depth is adjustable. This very rugged tool bolts to the bench and lasts indefinitely.

To order specify:

CD517 core capping press



CD517

Keyway Block-out Kit

A block-out blade may be inserted into any BEST system to prevent insertion of an operating or control key. Provides quick, efficient lockout. Available for Standard, Premium and Kaba® Peaks® cores.

(Contact your local Stanley office for order information)

CD540 Best Core Capping Block (included in kit)

The barrels of the core are in alignment with corresponding barrels in the capping block, and meter the "set" of the cap when the hand capping pin is employed. Size 1 1/4" x 1 1/4" x 2".

To order specify:

CD540 core capping block



CD540

CD547 Hand Capping Pin (included in kit)

With the core held securely in the capping block, the hand capping pin may be used to seat the cap and thus seal the segments into each barrel of the BEST core.

To order specify:

CD547 hand capping pin



CD547

CD548 Ejector Pin (included in kit)

The ejector pin of this handy tool may be inserted into the ejector pin hole, located at the bottom of each barrel opposite the cap of every BEST core, to eject the pins, spring and cap from the barrel preparatory to recombining.

To order specify:

CD548 ejector pin



CD548

CD549 Combinating Tweezer (included in kit)

Combinating tweezers are available to assist in handling the small caps, springs and pins used in combinating BEST cores.

To order specify:

CD549 combinating tweezers



CD549

(Available only to registered BEST® Master Keyed System owners.)

COMBINATING SERVICE EQUIPMENT

DD513 Core and Key Marking Block

This steel tool securely holds any BEST® core and/or key for accurate stamping with letter and number dies. Size is 1" x 1 1/4" x 2 1/4".

Note: Marking the face of Peaks® cores can damage the face, resulting in faulty operation.

To order specify:

DD513 marking block



DD513

DD514 Core and Key Marking Plate

This plate can hold 5 cores for end-marking, 5 cores for side-marking and 10 keys for bow-marking at one time. It speeds the marking process and helps avoid error in sequential numbering and lettering. A heavy casting 8"x6" x 7/4".

Note: Marking the face of Peaks® cores can damage the face, resulting in faulty operation.

To order specify:

DD514 marking plate

CD504B stamping plate face only (87 cores)

CD504C stamping plate side only (50 cores)

DD514A magnetic strip



DD514

CD535 Graphite Gun

Flaked graphite provides penetrating lubrication to all working lock parts and remains dry throughout lock life. Degrease and clean previously lubricated locksets before applying graphite

To order specify:

CD535 Graphite

CD535A One-pound (refill) graphite



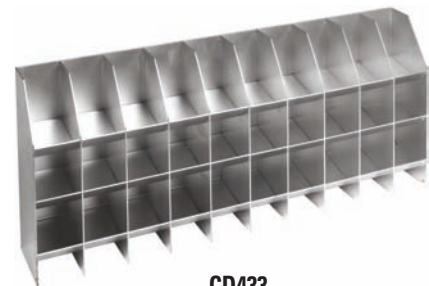
CD535

CD433 Combinating Parts Bin

These convenient bin racks are available for all size BEST systems. All bin racks are free standing and made for use on any desk or table top. Bins are designed for quick, easy access to pin segments and parts; yet, lessen the possibility of accidental intermixing of pin segments when segment is dropped. Extra bins may be used for storage of pins and caps.

To order specify:

CD433



CD433

AD504A Key Marking Plate

This popular key marking plate makes bow marking large amounts of keys even easier by allowing 55 keys to be placed at one time. Both standard and patented keys can be used with this plate. This size is 13" x 12" x 1/2".

To order specify:

AD504A



AD504A

(Available only to registered BEST® Master Keyed System owners.)

COMBINATING SERVICE EQUIPMENT

DD502 Letter and DD503 Number Dies

Durable high carbon steel number and letter dies for marking BEST® cores and keys are available in 1/16" or 3/32" letter heights.

To order specify:

DD502 letter dies or DD503 number dies and add the height of letter required

Example: DD502 letter dies x 3/32"



DD502

DD503

DD537 BEST/LPS Spray Lubricant

Factory tested and approved greaseless lubricant leaves a thin continuous lubrication film. Can be used with locks, even where other lubricants have been applied. Conforms to ANSI 156.6 cycle tested standards.

To order specify: **DD537 BEST/LPS lubricant**



DD537

5ED261 Slide Capping Block

The capping process for single shearline 5E cylinders requires the following:

Slide Caps (5E):
5ECP6- 6Pin
5ECP7- 7 Pin

For 5E Cylinder:
5ED261 Capping Block
5ED262 Cap Depressor



5ED261



5ED253

5ED253 Thread Tap

Matches standard 24 thread on 5E series cylinder locks.

To order specify:

5ED253 thread tap

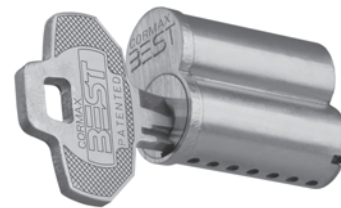
CORMAX™ PATENTED KEYING SYSTEM

BEST® CORMAX™ is the premier patented keying system offered by Stanley Security Solutions. CORMAX will meet your needs for security, key control, and convenience. A simple solution with no compromising allowed.

CORMAX is the upgrade path for existing BEST Standard, Premium, and MX8 customers; and it is an essential element of non-residential access control as security administrators strive to eliminate the unauthorized duplication of keys.

CORMAX offers the following features and benefits:

- A long-term US utility patent that guarantees the extended useful life of the system through 2027.
- A second, independent locking mechanism that utilizes a patented set of built-in side pins to provide higher security.
- Several levels of geographical exclusivity, including national exclusivity, are available via the patented side pin feature.
- CORMAX cores and keys are available exclusively through Stanley sales offices. Key blanks are only sold to individuals authorized by the customer to ensure key blanks do not end up in the possession of unauthorized personnel either inside or outside the customer's facility.
- CORMAX cores are certified to meet the security, safety, and reliability requirements of BHMA A156.5 Grade 1.
- Picking and drilling resistance options are available if higher levels of security are desired.
- Complete factory masterkeying service offered, and at no charge with purchase of BEST locksets and PHI exit devices.
- Keyways are organized in families of four keyways each, with double-milled and quad-milled key levels to facilitate the design of masterkey systems in multi-building campuses.
- BEST CORMAX cores are compatible with all existing BEST interchangeable core housings, eliminating the need for new or modified locksets.



**CORMAX™
Patented Keying System**

(Available only to registered BEST® Master Keyed System owners.)

QU-I.C-SYSTEM COMBINATING TOOL PACKAGES

Dedicated Packages – These QU-I.C-KEYS are permanently factory built specifically for just one key system. GM and Control codes required. Intended for long-term use by Institutional Locksmiths who continuously work with the same key system(s).

BQDP – Basic QU-I.C-KEY Dedicated Package

Includes the 7 main system tools



Dedicated QU-I.C-KEY and Viewing Base



QU-I.C-LOAD Tool



QU-I.C-TEST Tool



QU-I.C-CHEX Tool



QU-I.C-Tweez-jector



QU-I.C-Preamer

PQDP – Professional QU-I.C-KEY Dedicated Package

Includes the 7 main system tools BQDP Package (shown above)



QU-I.C-TEST Adapter



QU-I.C-Power Preamer



CKT-12 Core & Key Tray

EQDP – Expert QU-I.C-KEY Dedicated Package

Includes the 10 tools in the PQDP Package (shown above)



QU-I.C-BLOCK Tool



CKT-80 Core & Key Tray

To order specify: UL–BQDP, PQDP or EQDP / A2 or A4 / 6 or 7-pin / GM and CONTROL Codes

Universal Packages – You get to custom build a QU-I.C-KEY for any A2 key system that you are working with. These kits are better suited for temporary use and re-use – not for long-term / continuous key system use. (A4 System Kits are available).

BQUP – Basic QU-I.C-KEY Universal Package

Includes the 8 main system tools



Universal QU-I.C-KEY Kit and Viewing Base



QU-I.C-LOAD Tool



QU-I.C-TEST Tool



QU-I.C-CHEX Tool



QU-I.C-Tweez-jector



QU-I.C-Preamer

PQUP – Professional QU-I.C-KEY Universal Package

Includes the 8 main system tools BQUP Package (shown above)



QU-I.C-TEST Adapter



QU-I.C-Power Preamer



CKT-12 Core & Key Tray

EQUP – Expert QU-I.C-KEY Universal Package

Includes the 11 tools in the PQUP Package (shown above)



QU-I.C-BLOCK Tool



CKT-80 Core & Key Tray

To order specify: UL–BQUP, PQUP or EQUP / A2 or A4 / 6 or 7-pin

(Available only to registered BEST® Master Keyed System owners.)



QU-I.C-SYSTEM COMBINATING TOOL DESCRIPTIONS

Dedicated QU-I.C-KEY and Viewing Base (QKD / A2 or A4 / 6 or 7-pin / GM and CTL)

This unique tool is permanently built to provide every pin segment calculation for your specific master key system (GM and Control). Every calculation is clearly displayed and incorporates an innovative color-coded system. No math skills are required; no pen and paper are necessary; no slide charts; no computer programs; and no power needed (except for a twist of your wrist). Available in A2 or A4, 6 or 7-pin.



Dedicated QU-I.C-KEY and Viewing Base

Universal QU-I.C-KEY Kit and Viewing Base (QKU / A2 or A4)

This kit allows you to custom build a QU-I.C-KEY for any A2 system that you are working on (kits also available for A4 systems). It will provide every pin segment calculation for the system you select. Every calculation is clearly displayed and incorporates an innovative color-coded system. No math skills are required; no pen and paper are necessary; no slide charts; no computer programs; and no power needed (except for a twist of your wrist). The special system strips in this kit are intended to be stored after use and re-used repeatedly.



Universal QU-I.C-KEY Kit and Viewing Base

QU-I.C-LOAD Tool * (QLT / 6 or 7-pin)

This tool holds the core during combining and provides color-coded, visual chamber identifiers that match the QU-I.C-KEY pin segment calculator. This provides constant orientation, greatly reduces errors and speeds production.



QU-I.C-LOAD Tool

QU-I.C-TEST Tool * (QTT)

This revolutionary tool is used with the QU-I.C-LOAD Tool and allows you to test combined cores before you cap them. It applies temporary spring pressure to all chambers so you can test every key. If a mistake has been made, you can correct the error while it is easy to do, without having to punch out and waste any pins, caps or springs. If all the keys work properly, you can then permanently cap the core with complete confidence. **NOTE:** This tool must be used with the QU-I.C-LOAD Tool or QU-I.C-TEST Adapter!



QU-I.C-TEST Tool

QU-I.C-CHEX Tool * (QCT)

This tool allows you to eject the pins into the clear viewing tube to visually inspect the pin segments of any chamber for accuracy without worrying about "balancing" the pin stack. It is easy to safely return the pin stack to the core. Also useful for transporting pin stacks.



QU-I.C-CHEX Tool

QU-I.C-Tweez-jector (QTJ)

2-in-1 tool that combines a full size, custom tip tweezer with an ejector pin that can tamp down or eject pin segments. A real time saver - no need for a separate ejector pin.



QU-I.C-Tweez-jector

QU-I.C-Preamer (QPT)

This tool allows you to pre-ream the top of core chambers. This removes any burrs and creates a slight funnel-like effect so that #4 top pin segments can drop more easily into the core. A protective cap is supplied and the other end of the tool contains an ejector pin.



QU-I.C-Preamer

QU-I.C-Power Preamer (QPP)

This tool attaches to any hand held power screwdriver and allows you to pre-ream the top of the core chambers faster. This is beneficial when doing large combining projects.



QU-I.C-Power Preamer

QU-I.C-TEST Adapter (QTA)

This is an accessory for the QU-I.C-TEST Tool and can be attached and removed as required. It enables testing of cores without having to load them into the QU-I.C-LOAD Tool.



QU-I.C-TEST Adapter

QU-I.C-BLOCK Tool * (QBT)

You can eject the pins from a 6 or 7-pin core in a controlled manner allowing you to decode cores from existing systems when no documentation is available. Punch-out tool is included.



QU-I.C-BLOCK Tool

Core & Key Tray (CKT-12)

Provides 12 positions for cores or keys. It safely holds and transports combined cores until they can be capped. Works with 6 and 7-pin BEST® style or PEAKS® interchangeable cores.



CKT-12 Core & Key Tray

Core & Key Tray (CKT-80)

Provides 80 positions for cores or keys for large combining projects. It safely holds and transports combined cores until they can be capped. Works with 6 and 7-pin BEST style interchangeable cores. Also accommodates PEAKS® I-Cores with extended front.



CKT-80 Core & Key Tray

* NOT compatible with special .140 spacing cores

To order specify: UL—part number (shown above) / other system information if required

(Available only to registered BEST® Master Keyed System owners.)

CYLINDRICAL/TUBULAR

83KA2A Mortise-to-Cylindrical Lock Adaptor Kits

Mortise lock mounting may be converted to BEST® 6K and 8K cylindrical lock through use of this kit.

Specifications

- Materials** – Stainless steel
- Finish** – 630 Only.
- Escutcheon** – 3 1/2" x 8 1/2" x .050 thickness
- Strike** – 1 1/4" x 8" with 6 3/4" lip, 1 1/4" to center
- Face plate: 83KF1** – 8" x 1 1/8" wide
- Backset** – 2 3/4" (Fed spec. 161)
 Door thickness is increased 7/64" for mounting either 6K or 8K series locksets.

To order an adaptor kit specify: **83KA2A adaptor kit**



83KA2A

One-Piece Universal Mortise/Cylindrical-to-Cylindrical Adaptor Kits

Doors previously mounted with another manufacturer's lockset may be quickly adapted to a BEST® cylindrical 6K and 8K lock through use of one of the following kits.

Specifications

- Materials** – Stainless steel
- Finish** – 630 only
- Face plate recess** – 2 1/4" x 1 1/8"
- Backset** – 2 3/4" x 1 1/8" (Fed. Spec. 161)
- Door thickness** – 1 3/4"

To order specify: **Kit number and door thickness.**

Example:
83KA2B x 1 3/4"



83KA2B

Adaptation Cutoff Fixture

To assist in adapting cylindrical locksets made by other manufacturer's to BEST's knobs and master keyed cores, adaptation cutoff fixtures are available.



KD352 Cut-Off Fixture

KD303 Through Bolt Drill Jig

Special accessory jig aids in aligning 5/16" holes for through bolt mounting of 9K cylindrical locks. Simply install latch first, then insert jig in 2 1/8" bored hole, align with door edge and drill with 5/16" bit.

To order specify:
KD303



KD303 drill jig

(Available only to registered BEST® Master Keyed System owners.)



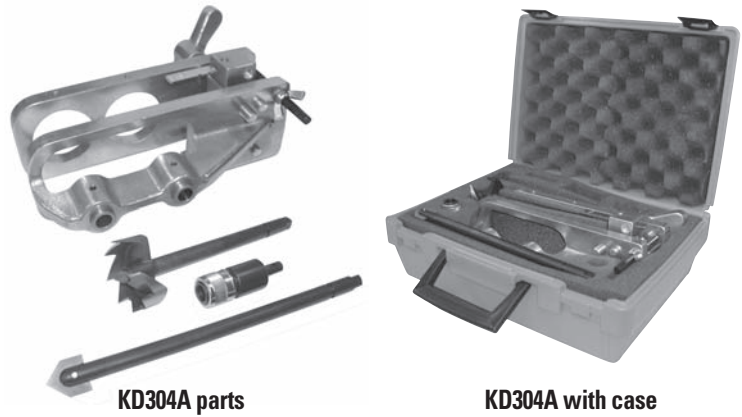
KD304A Boring Jig Kit

The KD304A jig kit is made for boring cut-outs in wooden doors for Fed. Spec. 160 and 161 series cylindrical/tubular locksets, doors 1 3/8" to 2 1/4" thick. The KD304A kit includes the boring jig (to drill wood doors for 2 3/8", 2 3/4", 3 3/4", and 5" backsets), a quick-release adaptor for 3/8" drill chuck, a 2 1/8" bit, and a 1" diameter x 9" bit.

The following kit items can also be purchased separately.

- KD309** – 2 1/8" bit
- KD318** – 1" dia. x 9" bit
- KD319** – 3/8", quick release adaptor

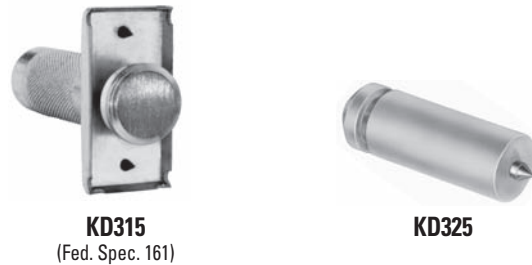
To order complete kits specify:
KD304A Kit



KD312 and KD315 Face Plate Marking Chisel
KD325 Strike Plate Location Pin

The KD315 face plate marking chisel (which locates the mortising for the face plate) and the KD325 strike locating pin (which centers the strike for proper installation) and is used for Fed. Spec. 161 cylindrical lockset, (1 1/8" x 2 1/4"), and BEST® series 82T & 83T tubular locks. The KD312 face plate marking chisel is available for Fed. Spec. 160 (1" x 2 1/4") preparation.

- To order specify:**
- KD312**– face plate marking chisel 1" (160)
 - KD315**– face plate marking chisel 1 1/8" (161)
 - KD325**– strike plate locating pin



PADLOCK SERVICE EQUIPMENT

F3 – Frangible Shackle Replacement Available for 11B720

The frangible shackle padlock is designed for fire and safety equipment cabinets, etc., where casual entry is to be prevented. For more information on the 11B frangible shackle please refer to the B Series Padlock catalog section or visit: www.bestaccess.com.

Broken shackles are easily replaced on-site and may be ordered separately. A complete extra frangible shackle kit (including three extra frangible shackles, three extra shackle springs and a disassembly tool) may be ordered by adding suffix "K" to the catalog number. Frangible shackles are available in bronze material only.

- To order specify:**
- Example: 11B20FK (kit only)**
- To order shackle only:**
- add suffix FF and omit pin size.**
 - Example: 11B20FF (frangible shackle only)**



Concerning Proper Installation

Installation instructions for any BEST® product should be carefully followed for proper operation of the installed unit. If improperly installed, malfunction of the unit may result.



(Available only to registered BEST® Master Keyed System owners.)

MORTISE AND RIM CYLINDER

ED211 Mortise Cylinder Wrench

The BEST® mortise cylinder wrench and test handle is an essential double-purpose tool. It is used primarily to install or remove BEST mortise cylinders without marring the cylinder surface finish. It is also used to align throw pins, and as a testing tool when installing mortise or tubular units. The single end may be used to test the lock operation.

To order specify:

ED211 mortise cylinder wrench



ED211

ED212 Mortise Cylinder Cam Assembly Tool

Fast attachment of cams to BEST® mortise cylinders is effected with this important device. It works equally well with adaptation cams, permitting relocking of any masterkeyed mortise lockset through use of BEST replacement cylinders. Approximate length 1 ¼".

To order specify:

ED212 mortise tool



ED212

ED221 Mortise Cylinder Thread Repair Die

Tool for re-threading 1 ½" diameter cylinder.

To order specify:

ED221 thread repair die 1E cylinder

ED222 Cylinder Cam Testing Tool

Engages throw pins and activates cam for testing.

To order specify:

ED222 cylinder cam testing tool

3ED224 Hole Tap for 1 ½" Mortise Cylinder

Tap tool is used to re-thread housing threads for 3E mortise cylinders.

To order specify:

3ED224 hole tap for 1 ½" mortise cylinder

ED225 Hole Tap for 1 5/32" Mortise Cylinder

Tap tool used to re-thread housing threads for 1E mortise cylinder.

To order specify:

ED225 hole tap for 1 5/32" mortise cylinder

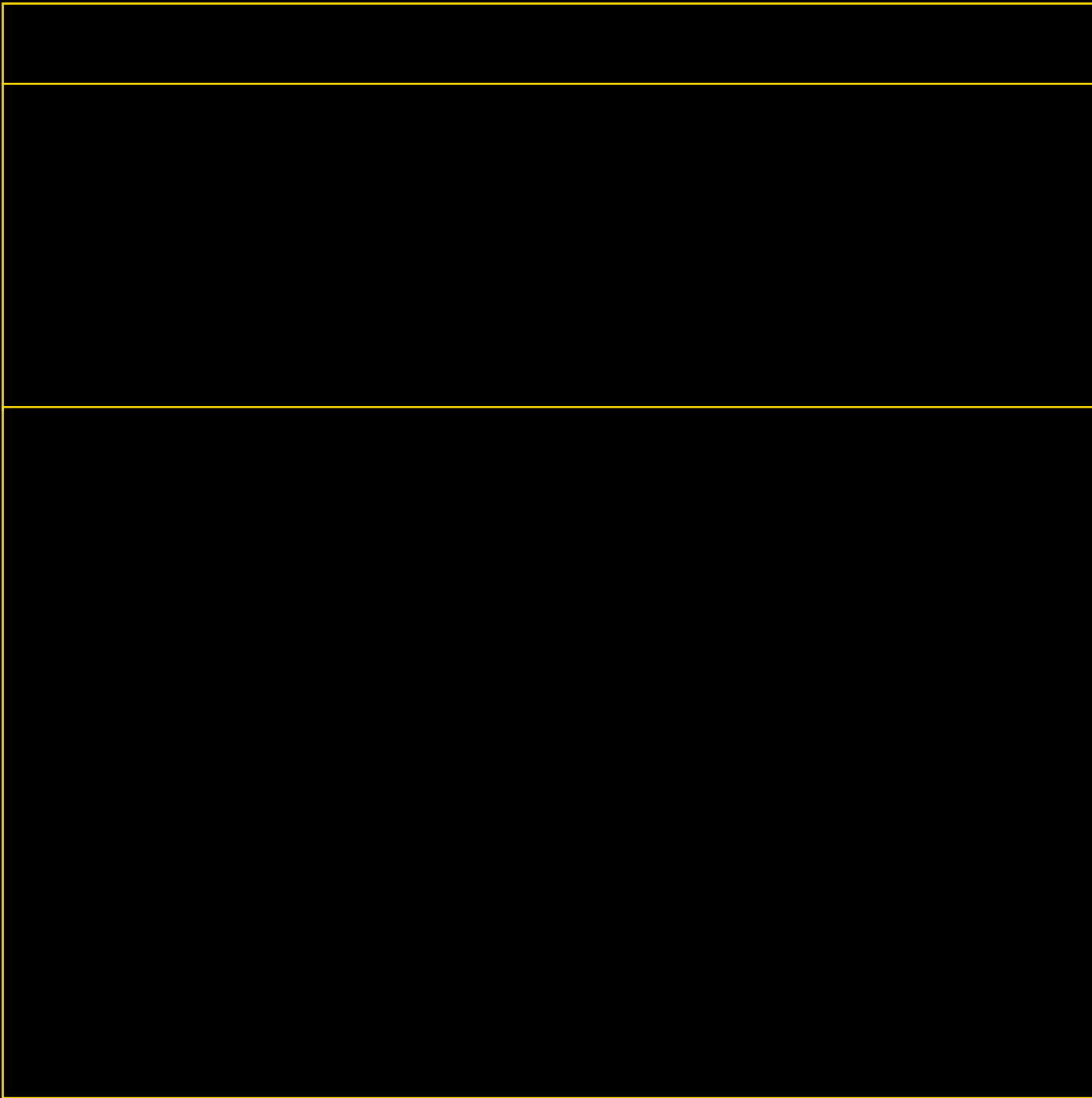
(Available only to registered BEST® Master Keyed System owners.)

SERVICE EQUIPMENT
NOTES:

Q U I P M E N T

(Available only to registered BEST® Master Keyed System owners.)





For more information on Stanley Security Solutions' products, services, and office locations visit our web site at www.stanleysecuritysolutions.com

Product information contained in this catalog has been compiled and presented with as much care and completeness as is reasonably possible. Errors or mistakes may be present, and in many cases, reliance has been placed on information supplied by other manufacturers which may be in error or which may be subject to changes or modifications by the manufacturer without notice and without obligation. Therefore, no guarantee can be made or should be assumed or implied with regards to product information contained in this catalog.



Stanley Security Solutions, Inc.

6161 E. 75th Street Indianapolis, Indiana 46250

© 2011 Stanley Security Solutions, Inc. • www.stanleysecuritysolutions.com

10M R511
BAS033

STANLEY[®]
Security Solutions



STANLEY Wi-Q[™]

ILLUSTRATED PARTS CATALOG



STANLEY Wi-Q[™] ILLUSTRATED PARTS CATALOG

CREDITS/COPYRIGHT

Copyright © 2010 Stanley Security Solutions, Inc. All rights reserved.

Information in this document is subject to change without notice and does not represent a commitment on the part of Stanley Security Solutions, Inc. The software described in this document are furnished under a license agreement or nondisclosure agreement.

This publication is intended to be an accurate description and set of instructions pertaining to its subject matter. However, as with any publication of this complexity, errors or omissions are possible. Please call your BEST[®] distributor or Stanley Security Solutions, Inc. at (317) 849-2250 if you see any errors or have any questions. No part of this manual and/or databases may be reproduced or transmitted in any form or by any means, electronic or mechanical, including photocopying, recording, or information storage and retrieval systems, for any purpose, without the express written permission of Stanley Security Solutions, Inc.

This document is distributed as is, without warranty of any kind, either express or implied, respecting the contents of this book, including but not limited to implied warranties for the publication's quality, performance, merchantability, or fitness for any particular purpose. Neither Stanley Security Solutions, Inc., nor its dealers or distributors shall be liable to the user or any other person or entity with respect to any liability, loss, or damage caused or alleged to be caused directly or indirectly by this publication.

HID and iCLASS are registered trademarks of HID Corporation.

Sargent is a registered trademark of Sargent Manufacturing Co.

TORX is a registered trademark of the Camcar Division of Textron.

Von Duprin is a registered trademark of Von Duprin, Inc.

Wi-Q is a trademark of Stanley Security Solutions, Inc.

Written and designed by Stanley Security Solutions, Inc. and Avalon Group, Inc., Indianapolis, Indiana.

T83338 Rev A ER7991-6 July 2010

CONTENTS

GETTING STARTED 1-1

- Introduction 1-1
- Product overview 1-2
 - Mortise lock overview 1-2
 - Cylindrical lock overview 1-3
 - Exit hardware trim overview 1-4
- Documentation package 1-5
- Technical support 1-6
 - Support services 1-6
 - Telephone technical support 1-6

STANDARD ESCUTCHEON COMPONENTS 2-1

- Inside escutcheon 2-2
- Magnetic stripe reader outside escutcheon 2-4
- Proximity reader outside escutcheon 2-6
- Dual validation reader outside escutcheon 2-8

MORTISE COMPONENTS 3-1

- Inside trim components 3-2
- Outside trim components 3-3
- Mortise cases by function and option 3-4
- Mortise case faceplates 3-5
- Strike boxes and strike plates 3-6
- Cylinder components 3-7
- Other components 3-7

CYLINDRICAL COMPONENTS 4-1

- Lever components 4-2
 - Levers 4-2
 - Standard lever components 4-3
 - Lever components for use with non-interchangeable cores 4-4
- Trim components 4-5
- Cylindrical chassis 4-6
- Latches 4-7
- Strike boxes and strike plates 4-8
- Other components 4-9

EXIT DEVICE TRIM COMPONENTS 5-1

- Exit hardware trim compatibility 5-2
- Inside trim components 5-3
- Magnetic stripe reader outside escutcheon 5-4
- Proximity reader outside escutcheon 5-6
- Dual validation reader outside escutcheon 5-8
- Cylinders and related components 5-10
 - Mortise cylinder and related components 5-10
 - Rim cylinder and related components 5-11
- Levers 5-12
- Lift fingers 5-13
- Other components 5-14
- Changing the handing 5-15

FIELD SERVICE KITS 6-1

- Field replacement kits 6-2
 - Reader kits 6-2
 - Control electronics kits 6-3
 - Wire harness kits for standard Wi-Q Locks 6-3
 - Internal part kits for EXQ Series Exit Hardware Trim 6-4
 - Other part kits for EXQ Series Exit Hardware Trim 6-4
 - Screw and spring kits for EXQ Series Exit Hardware Trim 6-5
- B.A.S.I.S. to wireless conversion kits 6-6
- Inside escutcheon conversion kits 6-6
- Outside escutcheon assemblies 6-7

OTHER COMPONENTS 7-1

- Card readers and encoders 7-2
- Wireless components 7-3
 - Wireless access controller 7-3
 - Portal gateway 7-4
 - Power and adapter devices 7-5
 - Modem 7-6
 - Antenna kits 7-7
 - Site survey kit and beacons 7-8
- Battery packs 7-9
- Tools 7-10

TROUBLESHOOTING 8-1

- Visual and audible response quick reference 8-2
- Responding to problems 8-4
- Lock transaction types 8-6

GLOSSARY A-1

INSTALLATION INSTRUCTIONS B-1

INDEX C-1

FIGURES

GETTING STARTED

- Mortise lock overview diagram 1-2
- Cylindrical lock overview diagram 1-3
- Exit hardware trim overview diagram
(Precision Hardware-rim type shown) 1-4

STANDARD ESCUTCHEON COMPONENTS

- Inside escutcheon components (mortise TV function shown) 2-2
- Magnetic stripe reader escutcheon components
(mortise TV function shown) 2-4
- Proximity reader escutcheon components
(mortise TV function shown) 2-6
- Dual validation reader escutcheon components
(mortise TV function shown) 2-8

MORTISE COMPONENTS

- Inside mortise trim 3-2
- Outside mortise trim 3-3
- Mortise case assembly (DV shown) 3-4
- Mortise case faceplates 3-5
- Mortise strike boxes and strike plates 3-6
- Mortise cylinder 3-7
- Door position switch and magnet assembly 3-7

CYLINDRICAL COMPONENTS

- Cylindrical levers 4-2
- Standard lever components 4-3
- Lever components for use with non-interchangeable cores 4-4
- Cylindrical trim 4-5
- Cylindrical chassis 4-6
- Cylindrical latches 4-7
- Cylindrical strike boxes and strike plates 4-8
- Door position switch and magnet assembly 4-9

EXIT DEVICE TRIM COMPONENTS

- Inside trim components 5-3
- Magnetic stripe reader escutcheon assembly
(Precision Hardware-rim type shown) 5-4
- Proximity reader escutcheon assembly
(Precision Hardware-rim type shown) 5-6
- Dual validation reader escutcheon assembly
(Precision Hardware-rim type shown) 5-8
- Mortise cylinder and cylinder ring 5-10
- Rim cylinder and related components 5-11
- Levers diagram 5-12
- Lift fingers (shown actual size) 5-13
- Door position switch and magnet assembly 5-14
- Changing the handing 5-16

OTHER COMPONENTS

- Card encoders 7-2
- Wireless access controller 7-3
- Portal gateway 7-4
- Power and adapter devices 7-5
- Modem and power adapter 7-6
- Antenna kits 7-7
- Site survey kit and beacons components 7-8
- Battery pack 7-9
- Tools 7-10

1

GETTING STARTED

INTRODUCTION

The *Stanley Wi-Q™ Technology Illustrated Parts Catalog* contains essential information to help you maintain your standard Wi-Q Locks as well as your EXQ Series Exit Hardware Trim. Throughout this manual, the term *standard Wi-Q Locks* is used to refer to 45HQ Series Mortise Locks and 93KQ-95KQ Series Cylindrical Locks. EXQ Series Exit Hardware Trim is available for use with the following types of exit devices manufactured by Precision Hardware (1000 Series and 2000 Series), Von Duprin (98/99 Series), and Sargent (8800 Series):

- rim
- mortise
- surface vertical rod
- concealed vertical rod.

Standard Wi-Q Locks and EXQ Series Exit Hardware Trim are available with the following types of readers:

- magnetic stripe card readers
- dual validation (magnetic stripe card/keypad) readers
- proximity card readers (HID, HID iCLASS, and Indala).

This manual provides illustrations and part numbers for the following Wi-Q items:

- inside escutcheons
- outside escutcheons
- mortise cases and cylindrical chassis
- mortise, cylindrical, and EXQ trim components
- field service kits
- system components, such as card readers and encoders, portal gateways, and antennas.

PRODUCT OVERVIEW

Mortise lock overview

The diagram below shows an exploded view of the components of a Wi-Q Mortise Lock, indicating their orientation to the door.

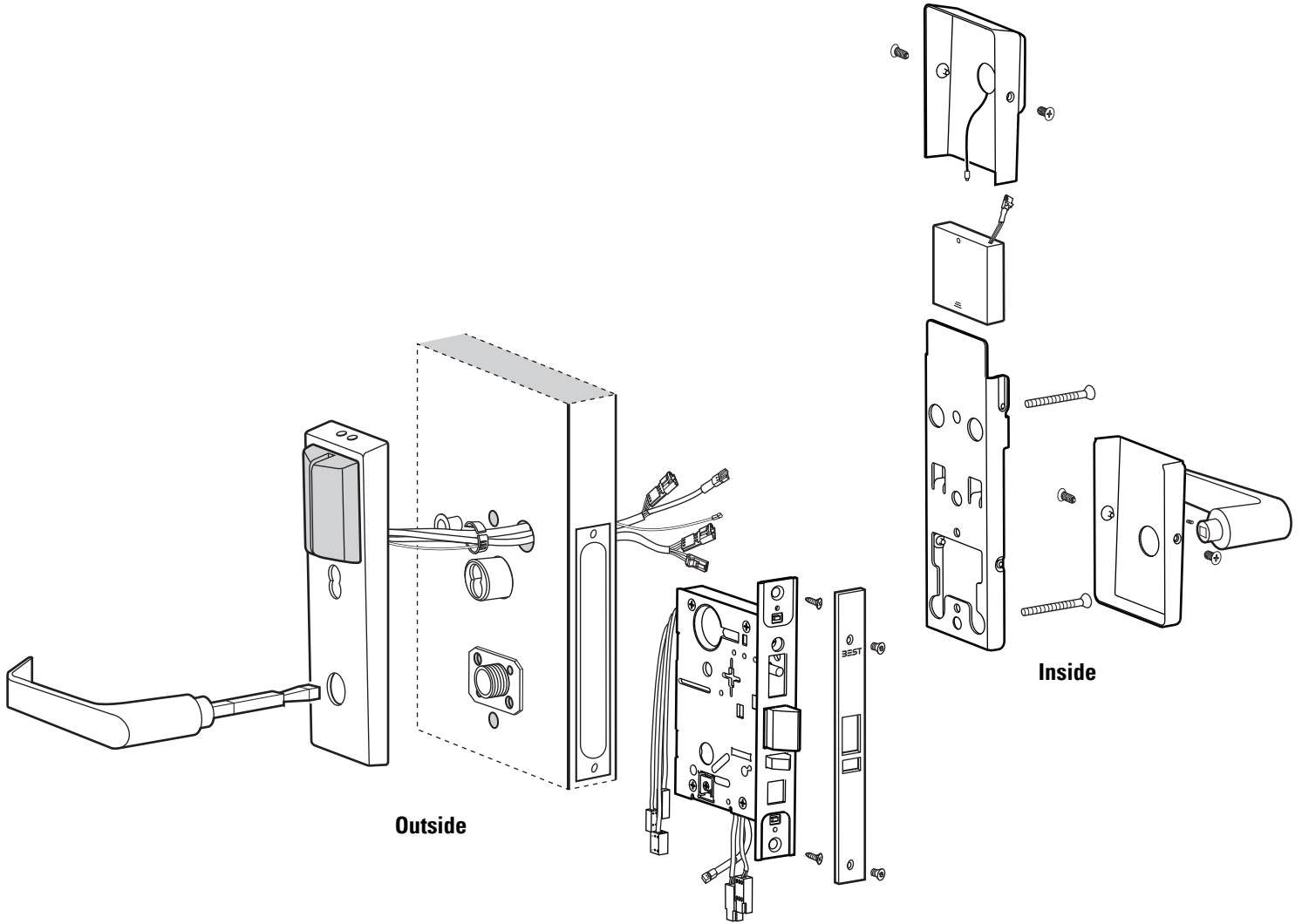


Figure 1.1 Mortise lock overview diagram

**Cylindrical lock
overview**

The diagram below shows an exploded view of the components of a Wi-Q Cylindrical Lock, indicating their orientation to the door.

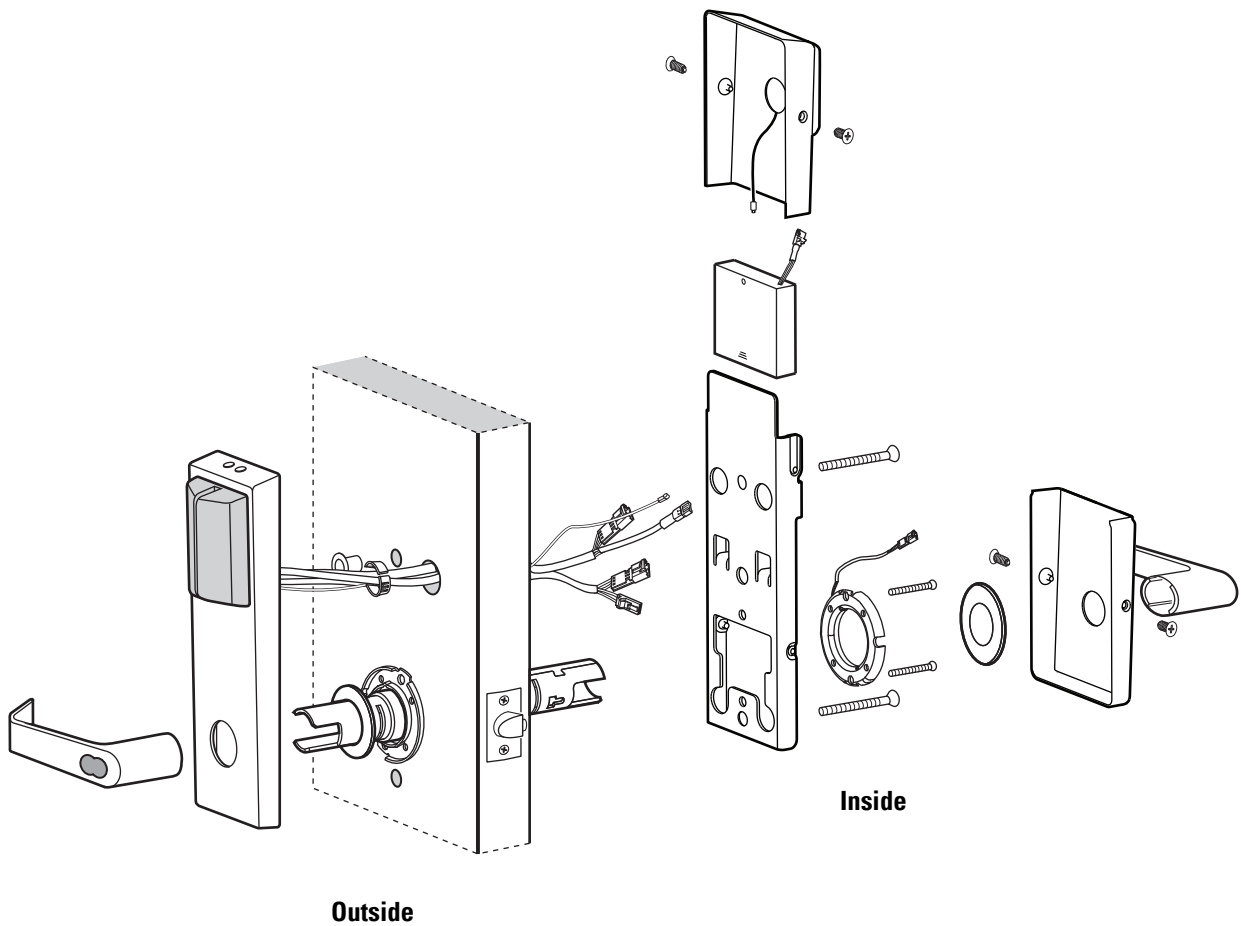


Figure 1.2 Cylindrical lock overview diagram

Exit hardware trim overview

The diagram below shows an exploded view of the components of a Wi-Q Exit Hardware Trim application.

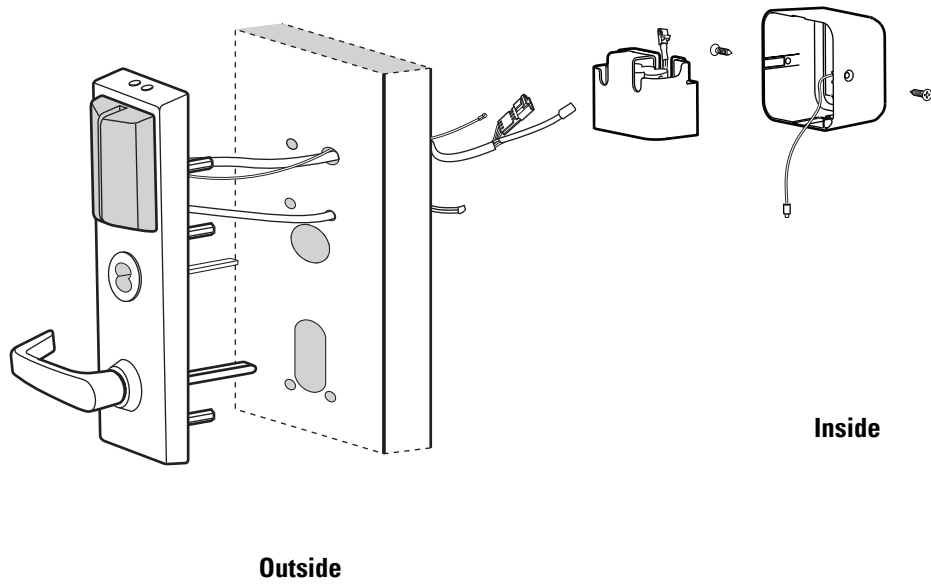


Figure 1.3 Exit hardware trim overview diagram (Precision Hardware–rim type shown)

DOCUMENTATION PACKAGE

The following documentation is available to help you with the installation, start-up, and maintenance of your Electronic Stand-Alone Locks.

The installation instructions also can be ordered separately:

Document Title	Doc. No.
<i>Stanley Site Survey Quick Reference Guide</i>	T82611
<i>Installation Instructions for 93KQ Wi-Q™ Cylindrical Locks†</i>	T82619
<i>Installation Instructions for 40HQ Wi-Q™ Mortise Locks^a</i>	T82623
<i>Installation Instructions for EXQ Wi-Q™ Exit Hardware Trim^a</i>	T82621
<i>Backside Antenna Kit Installation Instructions</i>	T83302
<i>Installation Instructions for Portal Gateway Series</i>	T12833
<i>Stanley Wi-Q™ AMS Getting Started Guide</i>	T83305

†. These installation instructions are included in this manual.
See *Installation Instructions* on page B-1.

The templates and specifications required for lock and exit hardware trim installations also can be ordered separately:

Document Title	Doc. No.
<i>Q01 Template; Installation Specifications for 93KQ Wi-Q™ Cylindrical Locks with Small Strike</i>	T82601
<i>Q02 Template; Installation Specifications for 93KQ Wi-Q™ Cylindrical Locks with Large Strike</i>	T82602
<i>Q05 Template; Installation Template for 93KQ Wi-Q™ Cylindrical Locks</i>	T82605
<i>Q03 Template; Installation Specifications for 45HQ Wi-Q™ Mortise Locks</i>	T82603
<i>Q06 Template; Installation Template for 40HQ Wi-Q™ Mortise Locks</i>	T82606
<i>Q09 Template; Installation Specifications for Wi-Q™ Technology EXQ Exit Hardware Trim for Use with Von Duprin 98/99 Series Exit Devices</i>	T82609
<i>Q10 Template; Installation Specifications for Wi-Q™ Technology EXQ Exit Hardware Trim for Use with Precision Hardware 2000 Series Exit Devices</i>	T82610
<i>Q07 Template; Installation Template for Wi-Q Technology™ EXQ Exit Hardware Trim for Use with Von Duprin 98/99 Series Exit Devices</i>	T82607
<i>Q08 Template; Installation Template for Wi-Q Technology™ EXQ Exit Hardware Trim for Use with Precision Hardware 2000 Series Exit Devices</i>	T82608

TECHNICAL SUPPORT

Support services

When you need a part number for a component in a Wi-Q Lock or EXQ Series Exit Hardware Trim application, your first resource for help is the *Stanley Wi-Q Illustrated Parts Catalog*. If you cannot find the part number you need, contact your local Stanley Security Solutions Representative.

Telephone technical support

A factory-trained Certified Product Specialist (CPS) is available in your area whenever you need help. Before you call, however, please make sure that the product is in your immediate vicinity, and that you are prepared to give the following information:

- what happened and what you were doing when the problem arose
- what you have done so far to correct the problem.

Stanley Security Solutions Representatives provide telephone technical support for all Wi-Q products. You may contact a Representative by calling 1-800-392-5209 Monday through Friday, between 8:00 a.m. and 5:00 p.m. eastern standard time; or visit the web page www.stanleysecuritysolutions.com.

2

STANDARD ESCUTCHEON COMPONENTS

This chapter provides exploded diagrams of the escutcheon assemblies and related components for standard Wi-Q Mortise and Cylindrical Locks. This chapter also includes part numbers for all field-serviceable parts. For part numbers for complete escutcheon assemblies, see *Outside escutcheon assemblies* on page 6-7.

INSIDE ESCUTCHEON

Inside escutcheon
exploded view

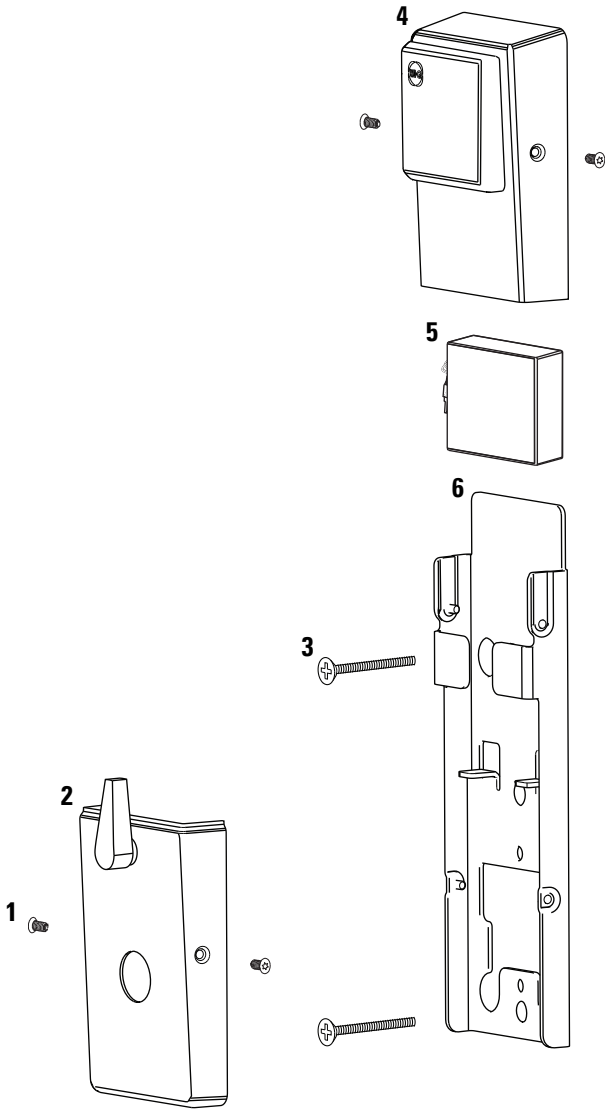


Figure 2.1 Inside escutcheon components (mortise TV function shown)

Inside escutcheon parts list

Refer to [Figure 2.1](#) and the table below to find the part you need.

Item	Qty.	Part No.	Description
1	4	A83525 ^a	T15 TORX inside escutcheon cover mounting screw <i>or</i>
not shown	4	00945-91 ^a	Phillips head inside escutcheon cover mounting screw
2	1	B83541 ^a	Mortise inside escutcheon stamped bottom cover with thumbturn (TV function) <i>or</i>
not shown	1	C83503 ^a	Mortise inside escutcheon stamped bottom cover (DV function) <i>or</i>
not shown	1	C83501 ^a	Cylindrical inside escutcheon stamped bottom cover
3	2	A83513	Escutcheon mounting screw for standard doors (1 3/4" to 2 1/4" thick) <i>or</i>
not shown	2	A83514	Escutcheon mounting screw for thick doors (2 1/2" to 3" thick)
4	1	B83540 ^a	Cover assembly with wireless antenna
not shown	1	A83516	Top cover gasket
5	1	C83511	4-cell battery holder with 4 AA batteries (see also <i>Battery packs</i> on page 7-9)
6	1	C83508	Fire plate

a. Specify finish.

MAGNETIC STRIPE READER OUTSIDE ESCUTCHEON

Magnetic stripe reader escutcheon exploded view

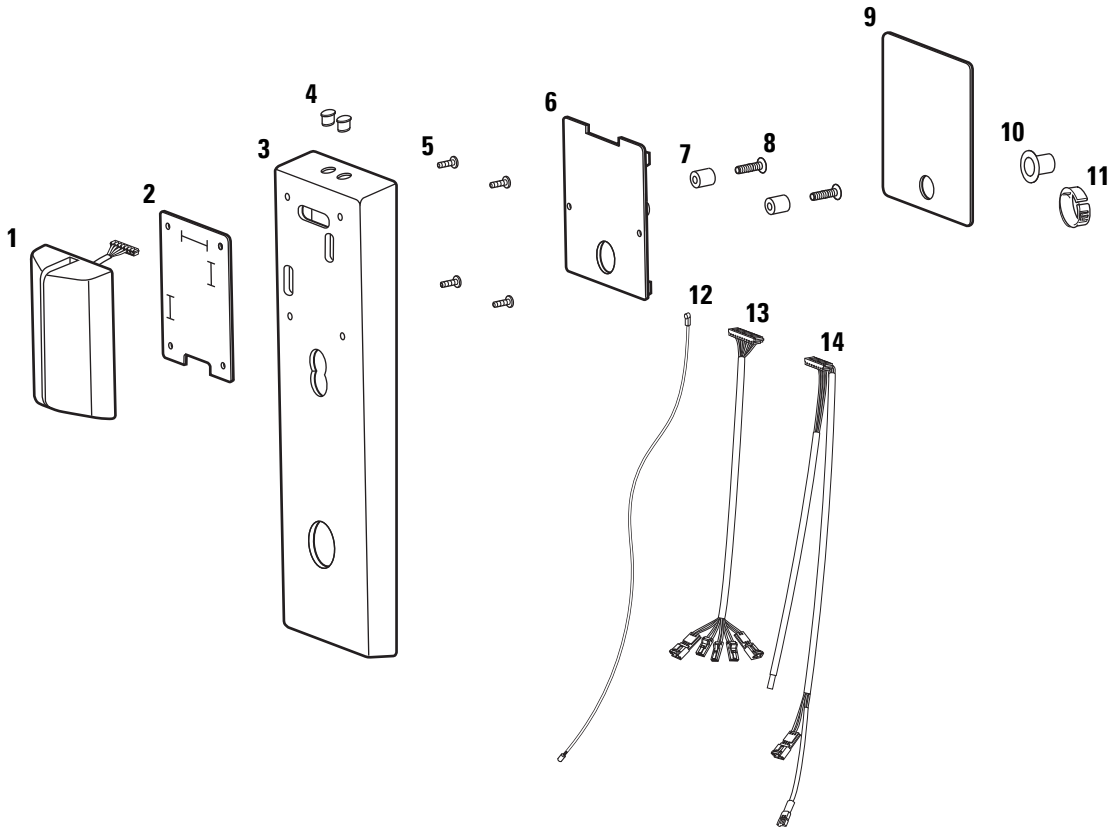


Figure 2.2 Magnetic stripe reader escutcheon components (mortise TV function shown)

**Magnetic stripe
reader escutcheon
parts list**

Refer to [Figure 2.2](#) and the table below to find the part you need.

Item	Qty.	Part No.	Description
1	1	B63269	Magnetic stripe reader (see also <i>Reader kits</i> on page 6-2)
2	1	B60321	Reader gasket
3	1	D62566 ^a	Mortise outside escutcheon <i>or</i>
not shown	1	D62571 ^a	Mortise outside escutcheon for use with non-IC cores <i>or</i>
not shown	1	D62567 ^a	Cylindrical outside escutcheon
4	2	A60317	Lens cover
not shown	2	A60318	Lens retaining ring
5	4	A60348	Reader assembly mounting screw
6	1	B82077	Universal wireless door controller (see also <i>Control electronics kits</i> on page 6-3)
7	2	A82250	Electronics mounting screw spacer
8	2	A82251	Electronics board mounting screw
9	1	A60800	Outside escutcheon gasket
10	1	B61439	Trim hole insert
11	1	1818846	Bushing
12	1	B82375	Antenna jumper cable (see also <i>Wire harness kits for standard Wi-Q Locks</i> on page 6-3)
13	1	B82098	Sensor harness (see also <i>Wire harness kits for standard Wi-Q Locks</i> on page 6-3)
14	1	C82092	Mortise primary harness (see also <i>Wire harness kits for standard Wi-Q Locks</i> on page 6-3) <i>or</i>
not shown	1	C82168	Cylindrical primary harness (see also <i>Wire harness kits for standard Wi-Q Locks</i> on page 6-3)

a. Specify finish.

PROXIMITY READER OUTSIDE ESCUTCHEON

Proximity reader escutcheon exploded view

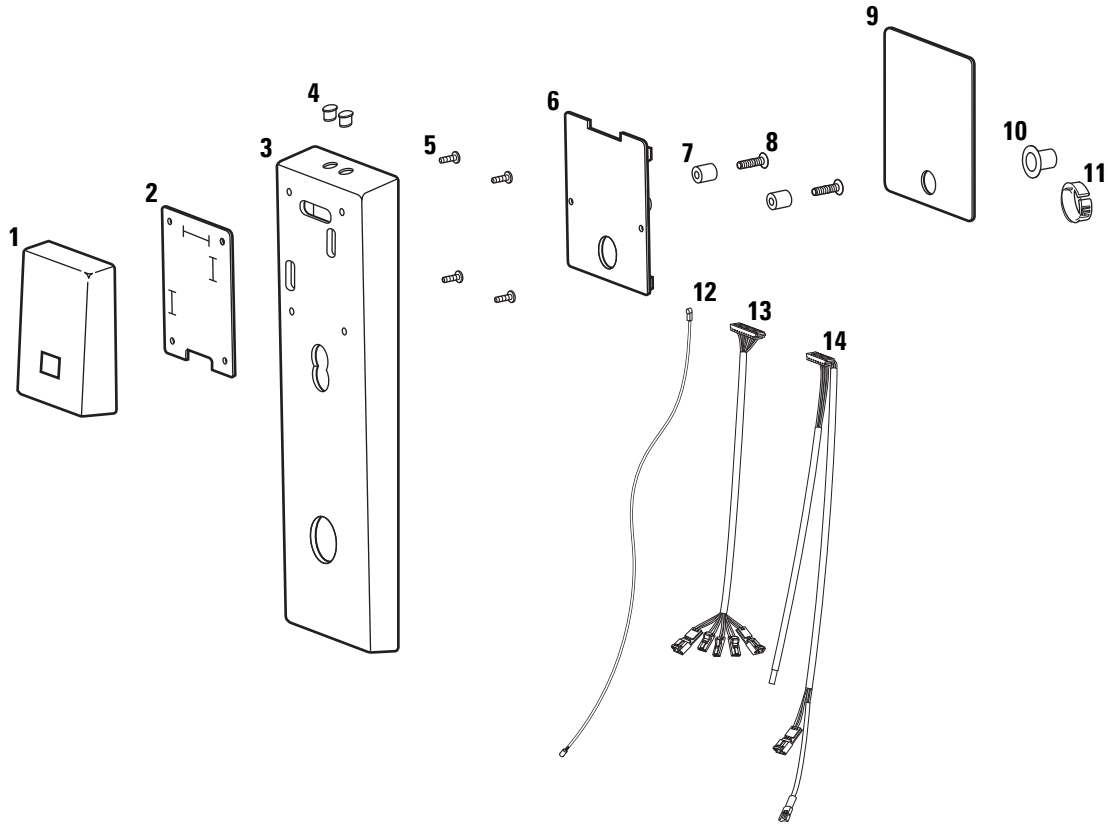


Figure 2.3 Proximity reader escutcheon components (mortise TV function shown)

**Proximity reader
escutcheon
parts list**

Refer to [Figure 2.3](#) and the table below to find the part you need.

Item	Qty.	Part No.	Description
1	1	B82399	HID proximity reader (see also <i>Reader kits</i> on page 6-2) <i>or</i>
not shown	1	B82999	HID iCLASS proximity reader (see also <i>Reader kits</i> on page 6-2) <i>or</i>
not shown	1	B64403	Indala proximity reader (see also <i>Reader kits</i> on page 6-2)
2	1	B60321	Reader gasket
3	1	D62566 ^a	Mortise outside escutcheon <i>or</i>
not shown	1	D62571 ^a	Mortise outside escutcheon for use with non-IC cores <i>or</i>
not shown	1	D62567 ^a	Cylindrical outside escutcheon
4	2	A60317	Lens cover
not shown	2	A60318	Lens retaining ring
5	4	A60348	Reader assembly mounting screw
6	1	B82077	Universal wireless door controller (see also <i>Control electronics kits</i> on page 6-3)
7	2	A82250	Electronics mounting screw spacer
8	2	A82251	Electronics board mounting screw
9	1	A60800	Outside escutcheon gasket
10	1	B61439	Trim hole insert
11	1	1818846	Bushing
12	1	B82375	Antenna jumper cable (see also <i>Wire harness kits for standard Wi-Q Locks</i> on page 6-3)
13	1	B82098	Sensor harness (see also <i>Wire harness kits for standard Wi-Q Locks</i> on page 6-3)
14	1	C82092	Mortise primary harness (see also <i>Wire harness kits for standard Wi-Q Locks</i> on page 6-3) <i>or</i>
not shown	1	C82168	Cylindrical primary harness (see also <i>Wire harness kits for standard Wi-Q Locks</i> on page 6-3)

a. Specify finish.

DUAL VALIDATION READER OUTSIDE ESCUTCHEON

Dual validation reader escutcheon exploded view

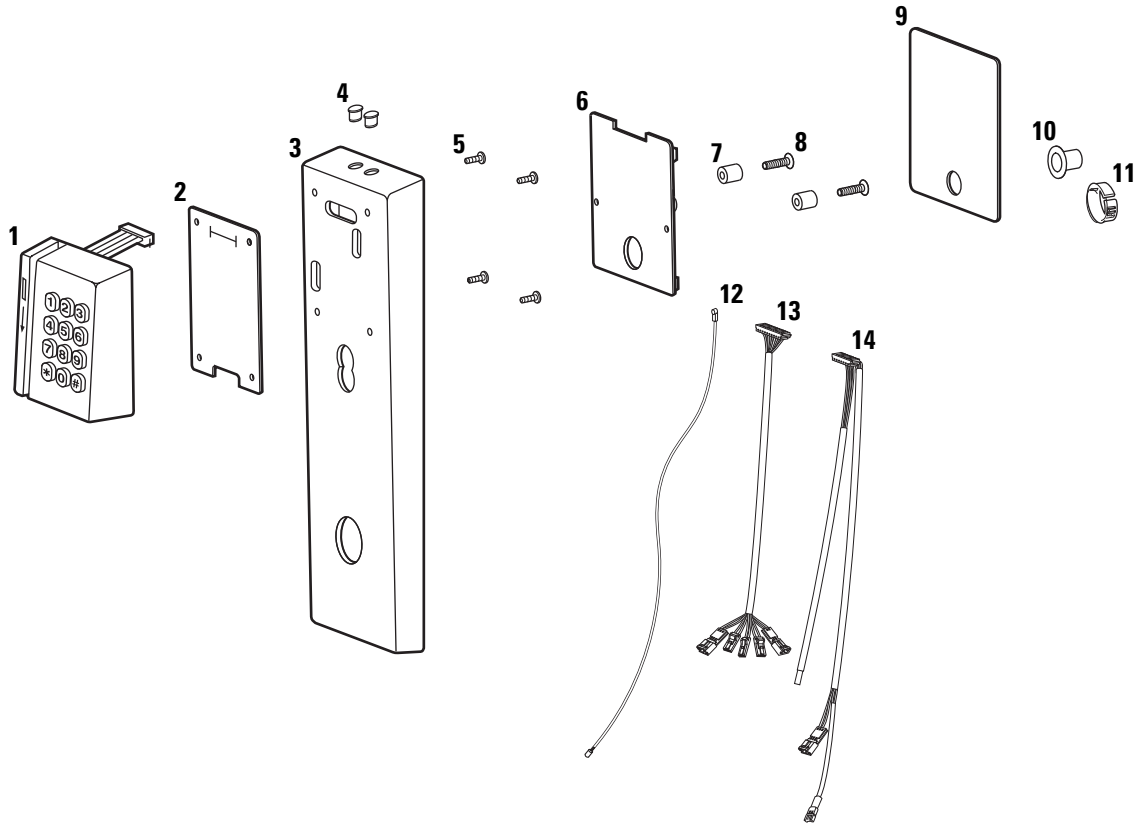


Figure 2.4 Dual validation reader escutcheon components (mortise TV function shown)

**Dual validation
reader escutcheon
parts list**

Refer to [Figure 2.4](#) and the table below to find the part you need.

Item	Qty.	Part No.	Description
1	1	B63281	Dual validation reader (see also <i>Reader kits</i> on page 6-2)
2	1	B63259	Reader gasket
3	1	D62566 ^a	Mortise outside escutcheon <i>or</i>
not shown	1	D62571 ^a	Mortise outside escutcheon for use with non-IC cores <i>or</i>
not shown	1	D62567 ^a	Cylindrical outside escutcheon
4	2	A60317	Lens cover
not shown	2	A60318	Lens retaining ring
5	4	A60348	Reader assembly mounting screw
6	1	B82077	Universal wireless door controller (see also <i>Control electronics kits</i> on page 6-3)
7	2	A82250	Electronics mounting screw spacer
8	2	A82251	Electronics board mounting screw
9	1	A60800	Outside escutcheon gasket
10	1	B61439	Trim hole insert
11	1	1818846	Bushing
12	1	B82375	Antenna jumper cable (see also <i>Wire harness kits for standard Wi-Q Locks</i> on page 6-3)
13	1	B82098	Sensor harness (see also <i>Wire harness kits for standard Wi-Q Locks</i> on page 6-3)
14	1	C82092	Mortise primary harness (see also <i>Wire harness kits for standard Wi-Q Locks</i> on page 6-3) <i>or</i>
not shown	1	C82168	Cylindrical primary harness (see also <i>Wire harness kits for standard Wi-Q Locks</i> on page 6-3)

a. Specify finish.

3

MORTISE COMPONENTS

This chapter provides diagrams and part numbers for the inside trim, outside trim, and lock cases for standard Wi-Q Mortise Locks. It also describes the case faceplates, strike boxes, strike plates, and cylinders for Wi-Q Mortise Locks.

INSIDE TRIM COMPONENTS

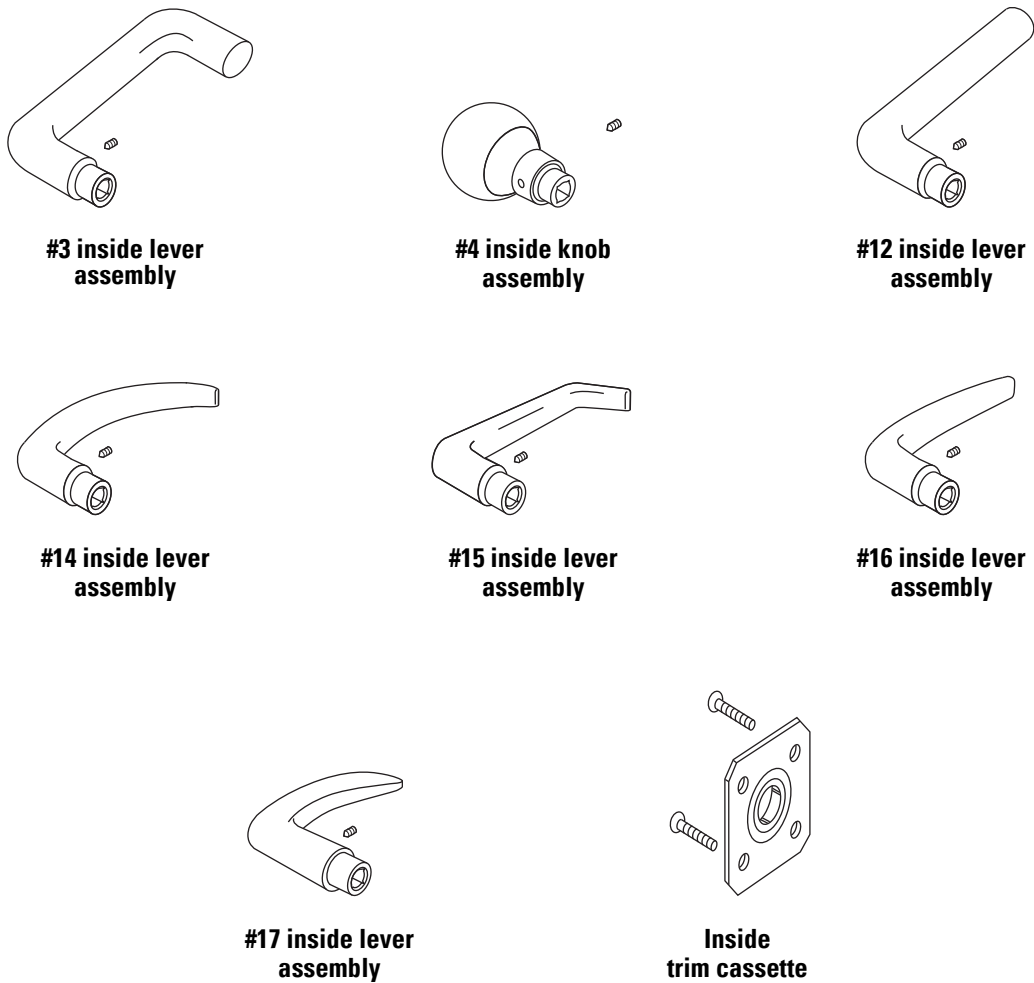


Figure 3.1 Inside mortise trim

Inside trim parts list Refer to [Figure 3.1](#) and the table below to find the part you need.

Item	Part No.
#3 inside lever assembly (solid tube / return)	B45110 ^a
#4 inside knob assembly (round knob)	B45170 ^a
#12 inside lever assembly (solid tube / no return)	C45408 ^a
#14 inside lever assembly (curved return)	B45130 ^a
#15 inside lever assembly (contour angle return)	B45150 ^a
#16 inside lever assembly (contour angle / no return)	B45172 ^a
#17 right hand inside lever assembly (gull wing / no return)	C45406 ^a
#17 left hand inside lever assembly (gull wing / no return)	C45405 ^a
Inside trim cassette	B45071
Trim cassette screw	A44215

a. Specify finish.

OUTSIDE TRIM COMPONENTS

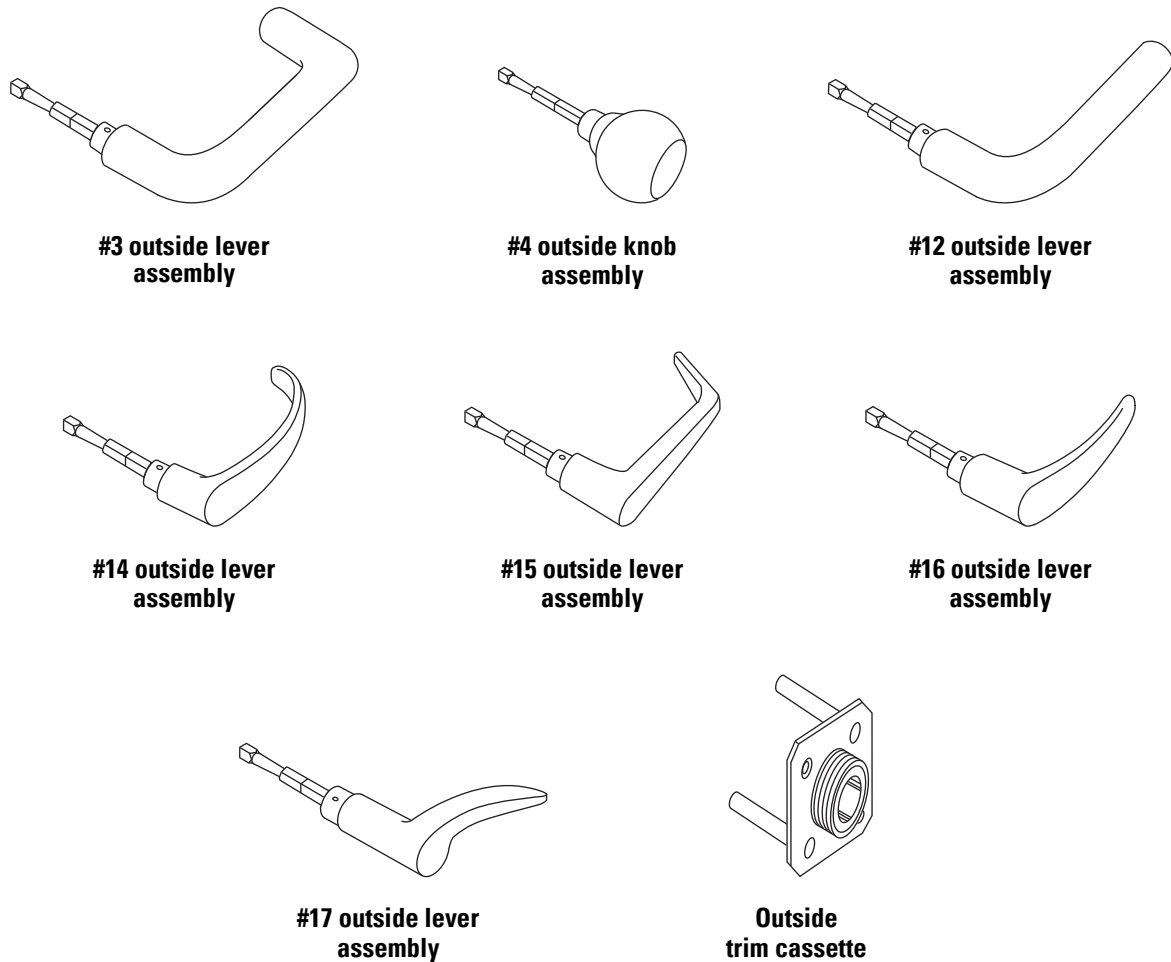


Figure 3.2 Outside mortise trim

Outside trim parts list

Refer to [Figure 3.2](#) and the table below to find the part you need. To order replacement spindles or thick door parts, see the *40H Series Service Manual*.

Item	Part No.
#3 outside lever and spindle assembly (solid tube / return)	B45120 ^a
#4 outside knob and spindle assembly (round knob)	B45180 ^a
#12 outside lever and spindle assembly (solid tube / no return)	C45423 ^a
#14 outside lever and spindle assembly (curved return)	B45140 ^a
#15 outside lever and spindle assembly (contour angle return)	B45160 ^a
#16 outside lever and spindle assembly (contour angle / no return)	B45182 ^a
#17 right hand outside lever and spindle assembly (gull wing / no return)	C45421 ^a
#17 left hand outside lever and spindle assembly (gull wing / no return)	C45420 ^a
Outside trim cassette	B45081

a. Specify finish.

MORTISE CASES BY FUNCTION AND OPTION

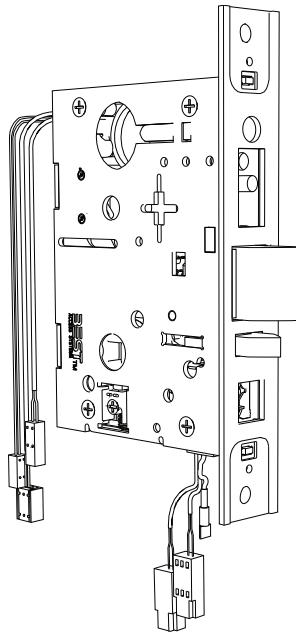


Figure 3.3 Mortise case assembly (DV shown)

Mortise case assemblies

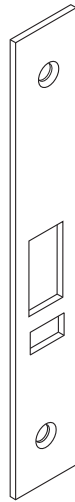
Refer to the tables below to find the case assembly you need.

Sensor Option	Part Number	
	DV Function ^a	TV Function ^a
Key override switch, request-to-exit switch, door position switch, & deadbolt monitor switch	—	C45751 ^b
Key override switch, request-to-exit switch, door position switch, & latch bolt monitor switch	C45749	—
Request-to-exit switch, door position switch, & deadbolt monitor switch	—	C45744 ^b
Request-to-exit switch, door position switch, & latch bolt monitor switch	C45022	—
Key override switch only	C45742	C45668

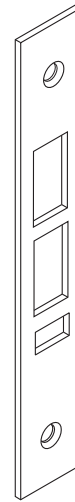
a. All mortise case assemblies include two A18724 case mounting screws (#12-12 × 3/4" Phillips flat head).

b. Uses an external door position switch and magnet assembly. See *Other components list* on page 3-7.

MORTISE CASE FACEPLATES



**DV function
mortise faceplate**



**TV function
mortise faceplate**

Figure 3.4 Mortise case faceplates

Mortise case faceplates parts list

Refer to [Figure 3.4](#) and the table below to find the part you need.

Item	Part No.
40H faceplate assembly (DV function) ^a	D44033 ^b
40H faceplate assembly (TV function) ^a	D44031 ^b
Faceplate screw (#8-32 × 1/4" Phillips flat head)	A18722 ^b

a. The assembly includes one faceplate and two faceplate screws.

b. Specify finish.

STRIKE BOXES AND STRIKE PLATES

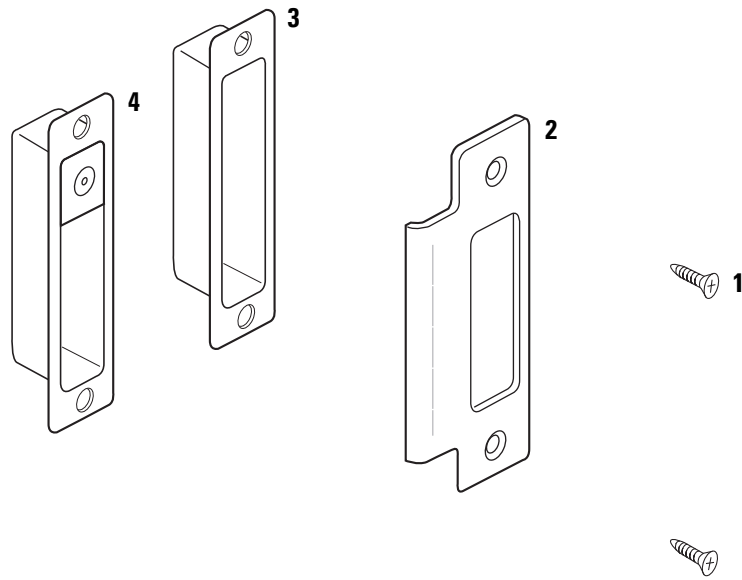


Figure 3.5 Mortise strike boxes and strike plates

Strike boxes and strike plates parts list

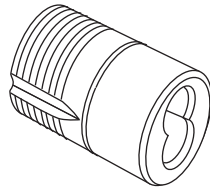
Refer to [Figure 3.5](#) and the table below to find the part you need.

Item	Qty.	Part No.	Description
1	2	A18724 ^a	Strike screw (#12-12 × 3/4" Phillips flat head)
2	1	C44004 ^a	40H universal strike plate ^b
3	1	B34380	Plastic strike box
4	1	B61224	Magnetic strike box for DV function door status monitor

a. Specify finish.

b. The 40H S1 strike package includes one strike plate, one plastic strike box, and two strike screws.

CYLINDER COMPONENTS



**Concealed cylinder for
1 3/4"– 2" thick doors**

Figure 3.6 Mortise cylinder

Cylinder parts list Refer to [Figure 3.6](#) and the table below to find the part you need.

Item	Part No.
Concealed cylinder for 1 3/4"– 2" thick doors ^a	B61231
Concealed cylinder for 2 1/4"– 2 1/2" thick doors ^a	B61232
Concealed cylinder for 2 3/4"– 3" thick doors ^a	B61233

a. The assembly includes one throw plug spacer, two throw pins, one throw plug, one IC cylinder, and one cloverleaf cam.

OTHER COMPONENTS

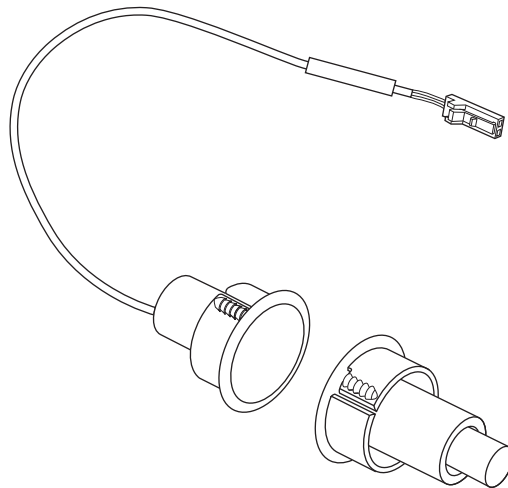


Figure 3.7 Door position switch and magnet assembly

Other components list Refer to [Figure 3.5](#) and the table below to find the part you need.

Item	Part No.
Door position switch and magnet assembly (for TV function)	A60413

4

CYLINDRICAL COMPONENTS

This chapter provides diagrams and part numbers for levers, trim components, and lock chassis for standard Wi-Q Cylindrical Locks. It also describes the latches, strike boxes, strike plates, and door position switch for Wi-Q Cylindrical Locks.

LEVER COMPONENTS

Levers

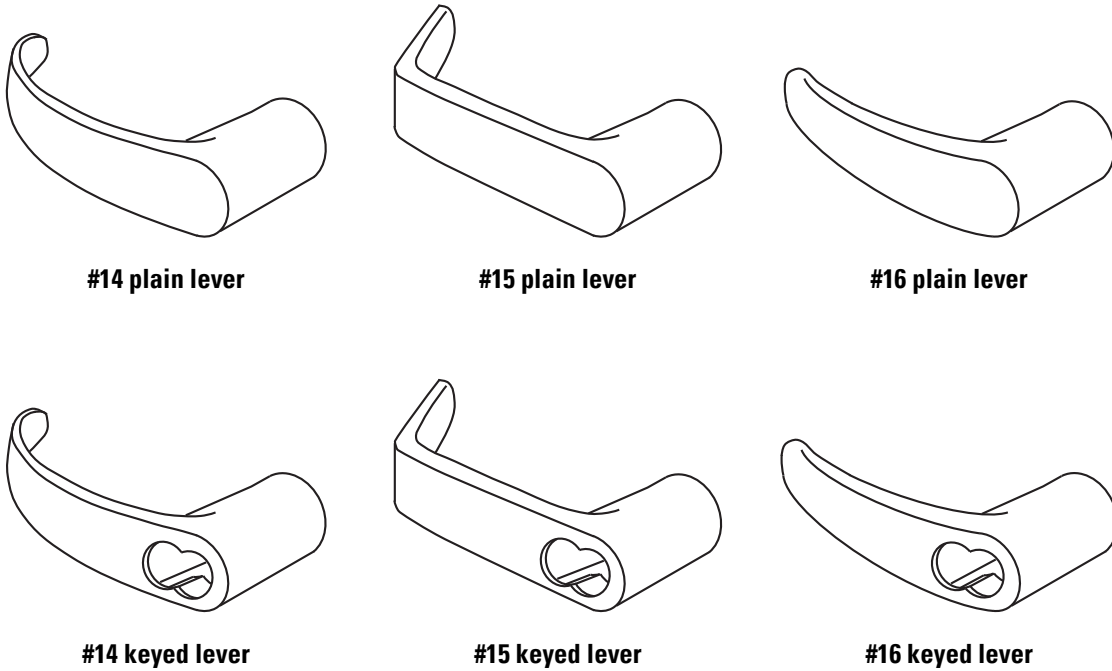


Figure 4.1 Cylindrical levers

Levers parts list

Refer to [Figure 4.1](#) and the table below to find the part you need.

Item	Part No.
#14 plain lever	D55022 ^a
#15 plain lever	D55169 ^a
#16 plain lever	D55025 ^a
#14 keyed lever	D55020 ^a
#15 keyed lever	D55168 ^a
#16 keyed lever	D55023 ^a
#14 non IC Schlage / Corbin / Medeco	D80989 ^a
#15 non IC Schlage / Corbin / Medeco	D55723 ^a
#16 non IC Schlage / Corbin / Medeco	D80992 ^a
#14 non IC Sargent / Yale	D80987 ^a
#15 non IC Sargent / Yale	D55721 ^a
#16 non IC Sargent / Yale	D80990 ^a
#14 Schlage large format	D81211 ^a
#15 Schlage large format	D81212 ^a

a. Specify finish.

Standard lever components

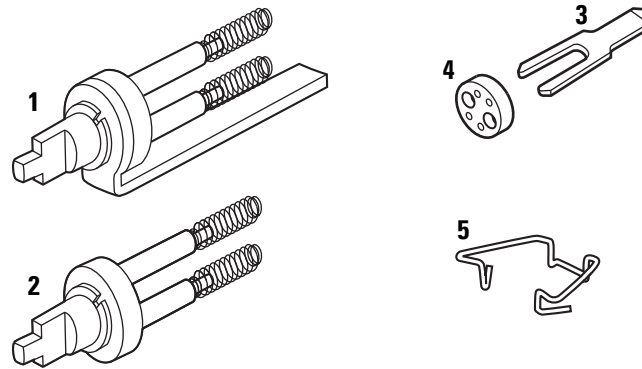


Figure 4.2 Standard lever components

Standard lever components parts list

Refer to [Figure 4.2](#) and the table below to find the part you need.

Item	Qty.	Part No.	Description
1	1	A55697	“H” throw member
2	1	A55696	“HJ” throw member
3	1	B54200	Seven pin throw member
4	50	1882120	Six pin spacer
5	1	B54182	Lever keeper spring

**Lever components
for use with non-
interchangeable
cores**

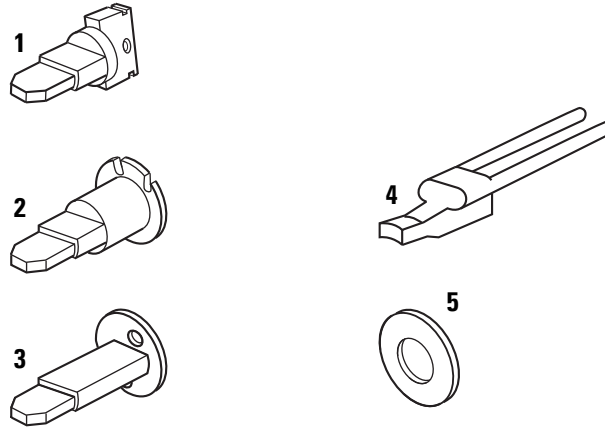


Figure 4.3 Lever components for use with non-interchangeable cores

Lever components for use with non-interchangeable cores parts list

Refer to [Figure 4.3](#) and the table below to find the part you need.

Item	Qty.	Part No.	Description
1	1	B55709 ^a	Throw member for use with Sargent and Yale cores
2	1	A55708 ^b	Throw member for use with Schlage, Corbin, KA, KD, and OB cores
3	1	A55712 ^c	Throw member for use with Medeco core
4	1	C55714	Lever handle insert for use with non-interchangeable cores
5	1	A55713	Throw member support ring for use with non-interchangeable cores

- a. To order the kit that contains the throw member, insert, and support ring for use with Sargent cores, use number 1770600. For Yale cores, use number 1770642; this kit contains two throw members, two inserts, and two support rings.
- b. To order the kit that contains the throw member, insert, and support ring for use with Schlage, Corbin, KA, KD, and OB cores, use number 1770527.
- c. To order the kit that contains the throw member, insert, and support ring for use with Medeco cores, use number 1778196.

TRIM COMPONENTS

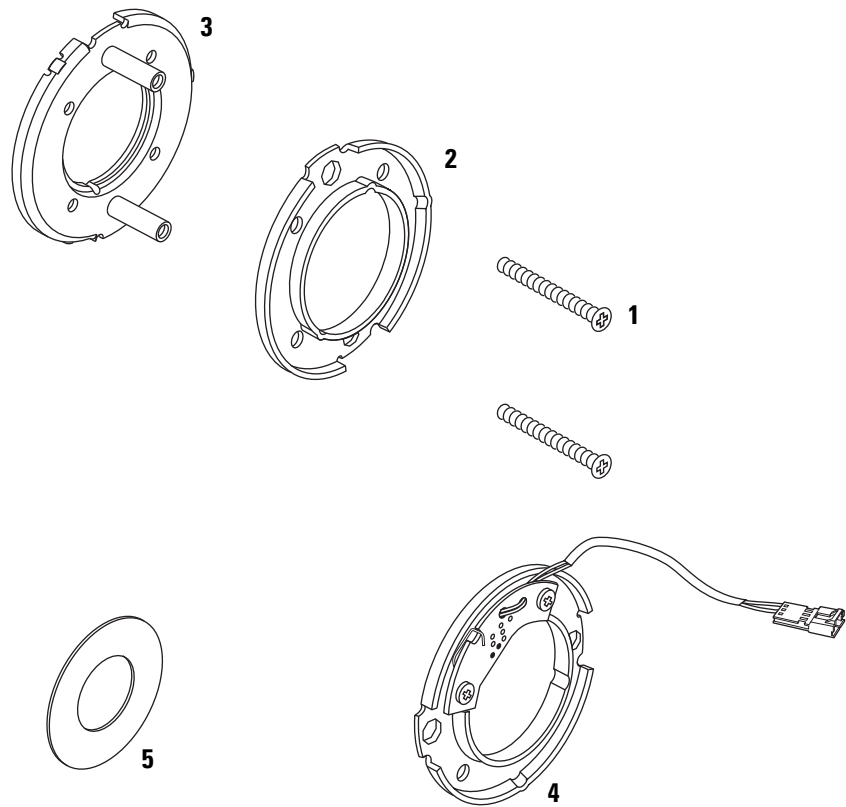


Figure 4.4 Cylindrical trim

Trim parts list Refer to [Figure 4.4](#) and the table below to find the part you need.

Item	Qty.	Part No.	Description
1	2	A55557	Through-bolt screw
2	1	B60215	Inside rose liner
3	1	B55603	Outside rose liner
4	1	B61049	Inside rose liner with request to exit
5	2	A80775	Hub washer

CYLINDRICAL CHASSIS

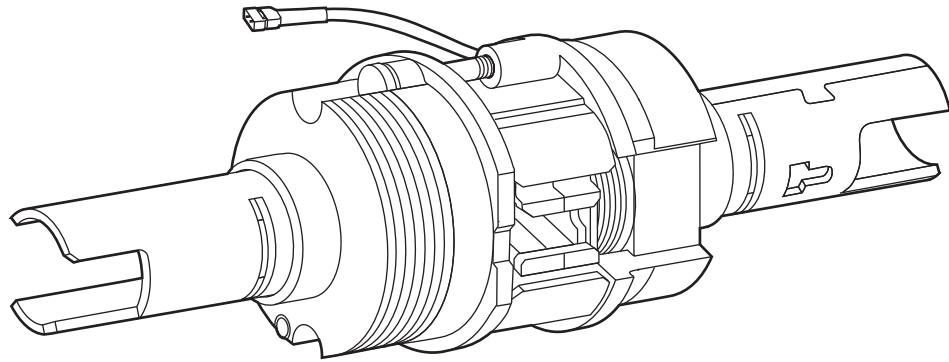


Figure 4.5 Cylindrical chassis

Cylindrical chassis list

Refer to the table below to find the chassis you need.

Chassis Type	Part Number	
	Standard	Lost Motion
9KQ chassis with request to exit	D82150	D82154
9KQ chassis without request to exit	D82157	D82153
9KQ non-IC chassis with request to exit	D82151	D82156
9KQ non-IC chassis without request to exit	D82152	D82155

LATCHES

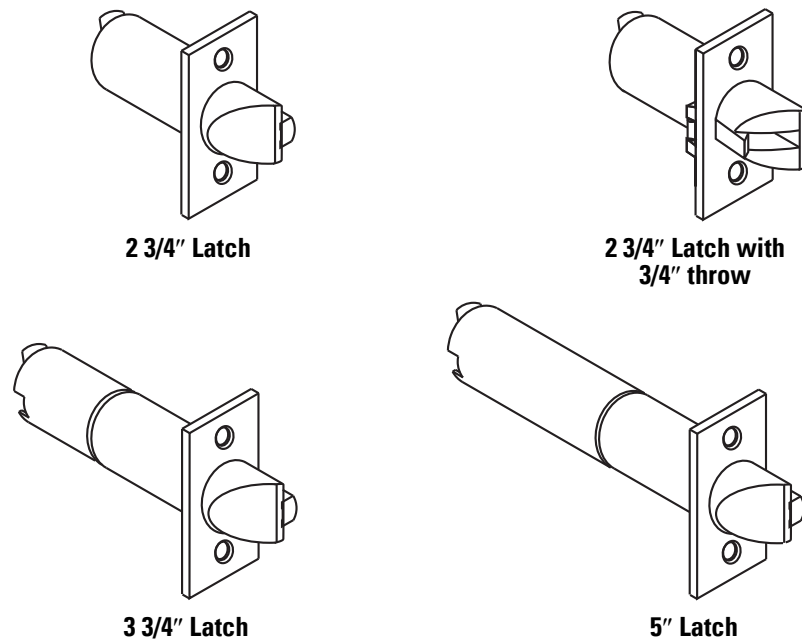


Figure 4.6 Cylindrical latches

Latches list Refer to [Figure 4.6](#) and the table below to find the part you need.

Item	Part No.
Latch for 2 3/4" backset	C54680 ^a
Latch for 2 3/4" backset with 3/4" throw	A54661 ^a
Latch for 3 3/4" backset	C51682 ^a
Latch for 5" backset	C54684 ^a
Latch screw	A25359 ^a

a. Specify finish.

STRIKE BOXES AND STRIKE PLATES

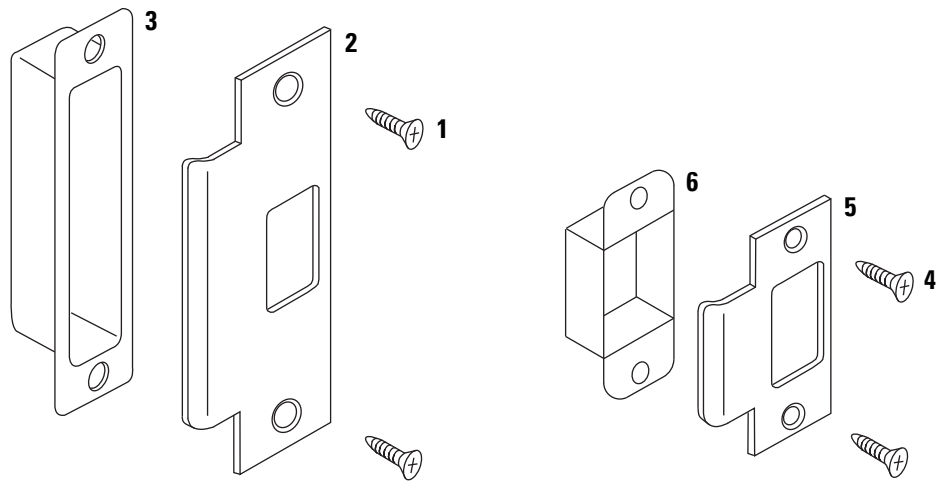


Figure 4.7 Cylindrical strike boxes and strike plates

Strike boxes and strike plates parts list

Refer to [Figure 4.7](#) and the table below to find the part you need.

Item	Qty.	Part No.	Description
1	2	A18724 ^a	Screw for ANSI strike
2	1	B25641 ^a	ANSI strike
3	1	B34380	ANSI plastic strike box
4	2	A25359 ^a	Screw for standard strike
5	1	B25639 ^a	Standard strike
6	1	B25640	Standard steel strike box

a. Specify finish.

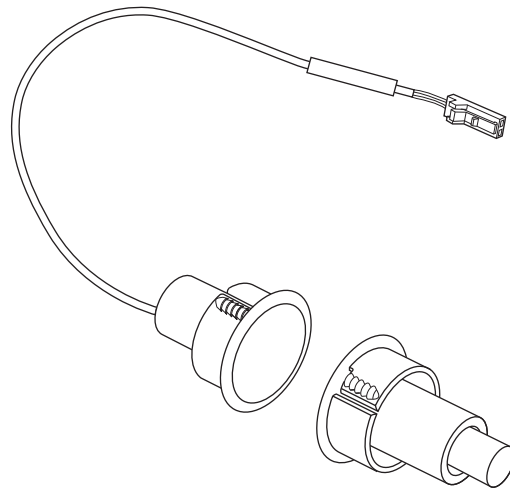
OTHER COMPONENTS

Figure 4.8 Door position switch and magnet assembly

**Other components
list**

Refer to [Figure 4.7](#) and the table below to find the part you need.

Item	Part No.
Door position switch and magnet assembly	A60413

5

EXIT DEVICE TRIM COMPONENTS

This chapter provides exploded diagrams of the escutcheon assemblies for Wi-Q Exit Device Trim. It also describes exit device cylinders, levers, and lift fingers. Part numbers are provided for all field-serviceable parts.

EXIT HARDWARE TRIM COMPATIBILITY

The following table summarizes the applications for Wi-Q Exit Device Trim. For each product series, the compatible function numbers are shown for each type of exit hardware.

Exit hardware manufacturer, product series, and compatible functions

Exit hardware type	Von Duprin 98/99 Series	Precision Hardware 2000 Series^a	Sargent 8800 Series
Rim - w/o key override	98TP, 99TP, 98L, 99L	2103	8828, 8863, 8866
Mortise - w/o key override	9875TP, 9975TP, 9875L, 9975L	N/A	N/A
Surface vertical rod - w/o key override	9827TP, 9927TP, 9827L, 9927L	2203	N/A
Concealed vertical rod - w/o key override	9847TP, 9947TP, 9847L, 9947L	2703	N/A
Rim - with key override	98TP, 99TP, 98L, 99L	2103	N/A
Mortise - with key override	N/A	2303	N/A
Surface vertical rod - with key override	9827TP, 9927TP, 9827L, 9927L	2203	N/A
Concealed vertical rod - with key override	9847TP, 9947TP, 9847L, 9947L	2703	N/A

a. To use all of the Wi-Q options, order the Q option.

INSIDE TRIM COMPONENTS

Inside trim components exploded view

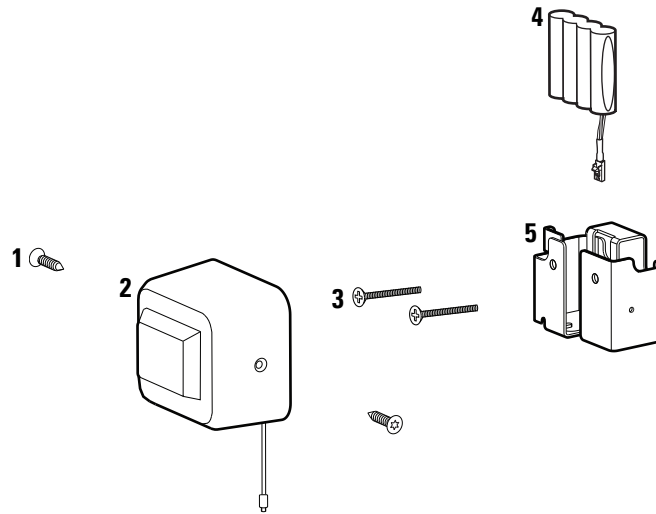


Figure 5.1 Inside trim components

Inside escutcheon parts list

Refer to [Figure 5.1](#) and the table below to find the part you need.

Item	Qty.	Part No.	Description
1	2	A83013	TORX battery cover screw <i>or</i>
not shown	2	A82264	Battery cover screw
2	1	C82374	Battery cover assembly with wireless antenna
3	2	A64602	Battery bracket screw for doors less than 2" thick (see also <i>Screw and spring kits for EXQ Series Exit Hardware Trim</i> on page 6-5) <i>or</i>
not shown	2	A64603	Battery bracket screw for doors 2" thick or greater (see also <i>Screw and spring kits for EXQ Series Exit Hardware Trim</i> on page 6-5)
4	1	B60726	Battery pack (see also <i>Battery packs</i> on page 7-9)
5	1	C64560	Battery bracket

MAGNETIC STRIPE READER OUTSIDE ESCUTCHEON

Magnetic stripe reader escutcheon assembly exploded view

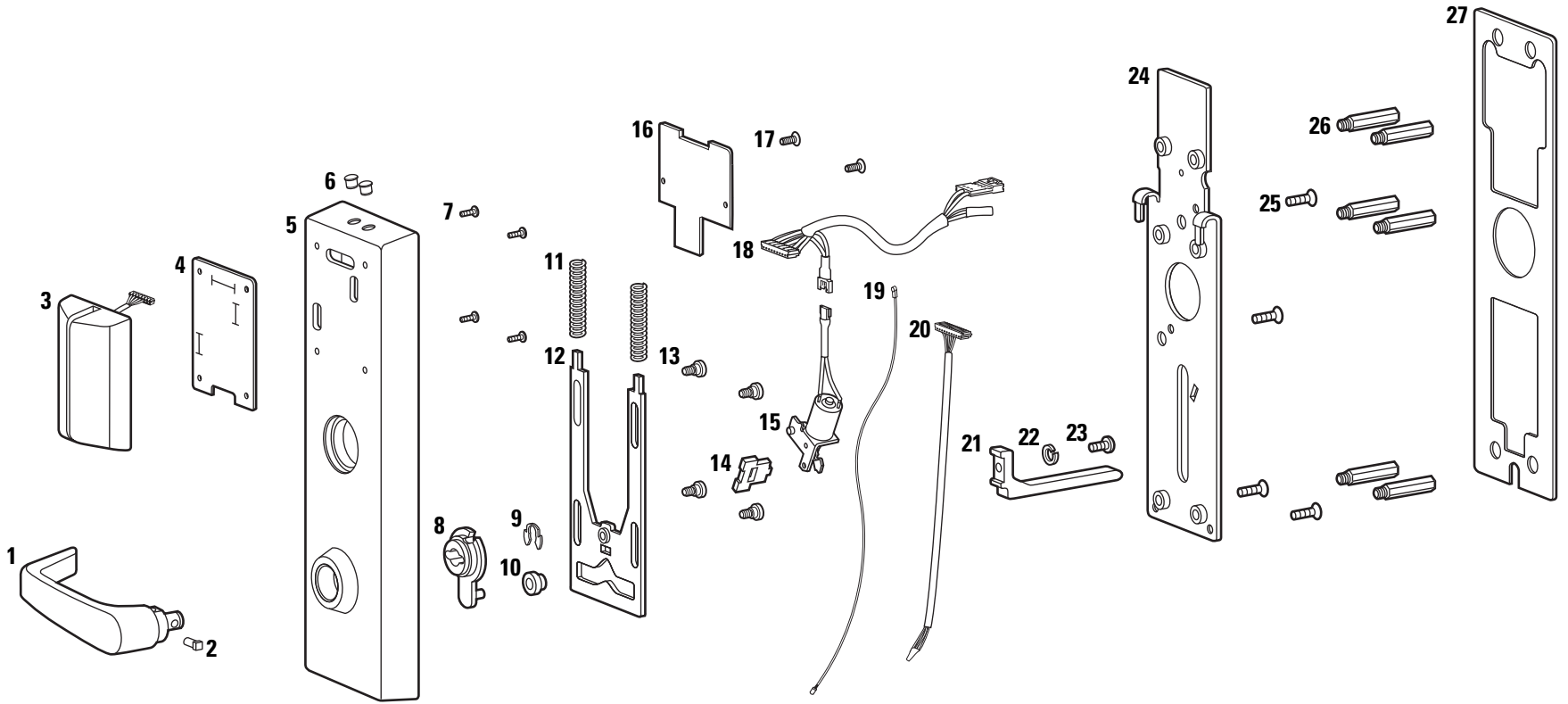


Figure 5.2 Magnetic stripe reader escutcheon assembly (Precision Hardware—rim type shown)

Magnetic stripe reader escutcheon assembly parts list

Refer to [Figure 5.2](#) and the table below to find the part you need.

Item	Qty.	Part No.	Description
1	1	B64572 ^a	Lever assembly (#15 lever shown) (see also <i>Levers</i> on page 5-12)
2	1	B64556	Shear pin
3	1	B63269	Magnetic stripe reader (see also <i>Reader kits</i> on page 6-2)
4	1	B60321	Reader gasket
5	1	C64565 ^a	Escutcheon with key (EV function) <i>or</i>
not shown	1	C64567 ^a	Escutcheon without key for Sargent rim installations (NV function)
6	2	A60317	Lens cover
not shown	2	A60318	Lens retaining ring
7	4	A60348	Reader assembly mounting screw
8	1	B64557	Beam
9	1	A64609	C-clip
10	1	A64571	Beam roller
11	2	A64610	Lever return spring (see also <i>Screw and spring kits for EXQ Series Exit Hardware Trim</i> on page 6-5)
12	1	C64552	Yoke
13	4	A64604	Shoulder screw (for yoke) (see also <i>Screw and spring kits for EXQ Series Exit Hardware Trim</i> on page 6-5)
14	1	B64562	Locking plate
15	1	B64573	Motor assembly
16	1	B82378	Control electronics board (see also <i>Control electronics kits</i> on page 6-3)
17	2	A64605	Electronics board mounting screw (see also <i>Screw and spring kits for EXQ Series Exit Hardware Trim</i> on page 6-5)
18	1	C82364	Primary harness (see also <i>Internal part kits for EXQ Series Exit Hardware Trim</i> on page 6-4)
19	1	B82375	Antenna jumper cable (see also <i>Internal part kits for EXQ Series Exit Hardware Trim</i> on page 6-4)
20	1	B82316	Sensor harness (see also <i>Internal part kits for EXQ Series Exit Hardware Trim</i> on page 6-4)
not shown	1	1879118	Cable tie
21	1	C64558	Lift finger (Precision Hardware rim and rod shown) (for additional lift fingers, see <i>Lift fingers</i> on page 5-13)
22	1	A64607	Washer
23	1	A64600	Lift finger screw (see also <i>Screw and spring kits for EXQ Series Exit Hardware Trim</i> on page 6-5)
24	1	D64551	Mounting plate for Precision Hardware and Sargent installations <i>or</i>
not shown	1	D64634	Mounting plate for Von Duprin installations
25	4	A64601	Mounting plate screw (see also <i>Screw and spring kits for EXQ Series Exit Hardware Trim</i> on page 6-5)
26	6	A64611	Mounting standoff (see also <i>Screw and spring kits for EXQ Series Exit Hardware Trim</i> on page 6-5)
27	1	C64564	Escutcheon gasket

a. Specify finish.

PROXIMITY READER OUTSIDE ESCUTCHEON

Proximity reader escutcheon assembly exploded view

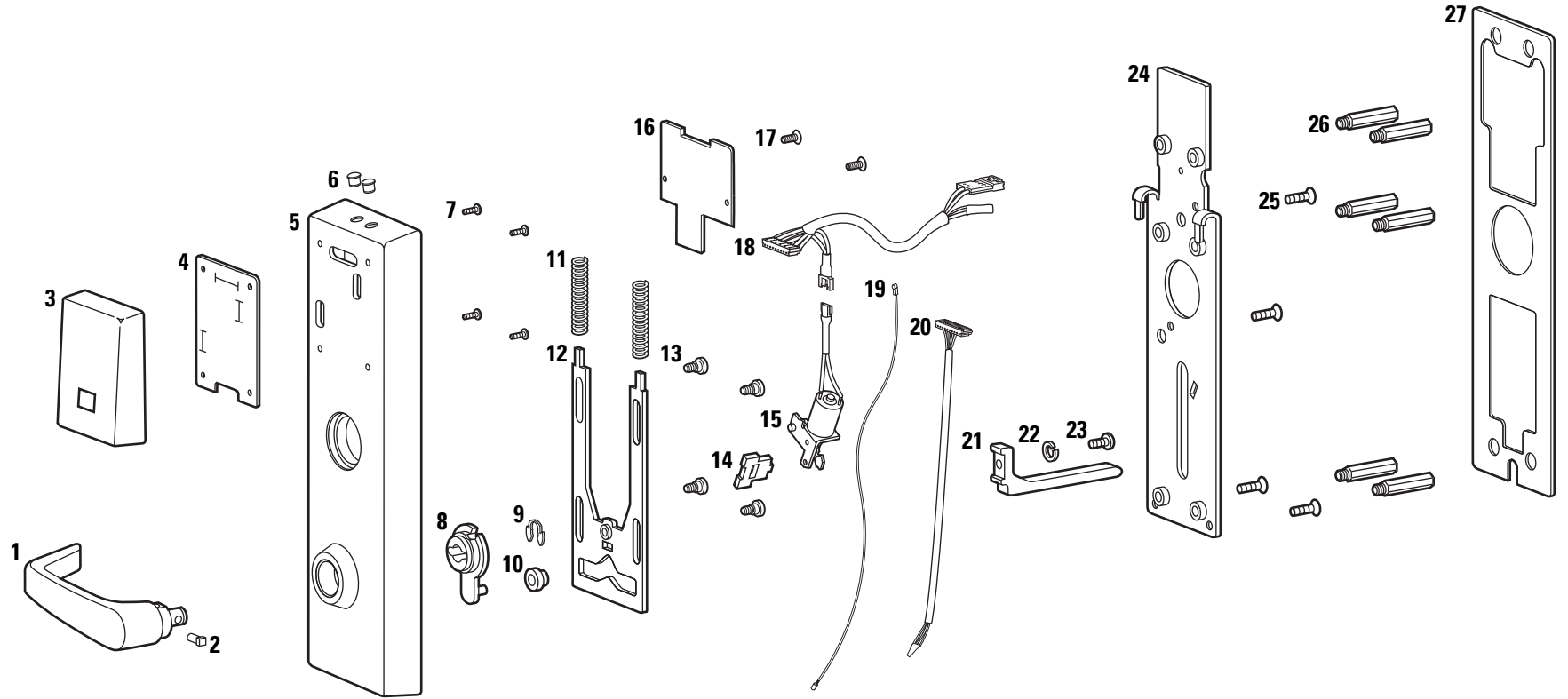


Figure 5.3 Proximity reader escutcheon assembly (Precision Hardware—rim type shown)

**Proximity reader
escutcheon
assembly parts list**

Refer to [Figure 5.3](#) and the table below to find the part you need.

Item	Qty.	Part No.	Description
1	1	B64572 ^a	Lever assembly (#15 lever shown) (see also <i>Levers</i> on page 5-12)
2	1	B64556	Shear pin
3	1	B82339	HID proximity reader (see also <i>Reader kits</i> on page 6-2) <i>or</i>
not shown	1	B64403	Indala proximity reader (see also <i>Reader kits</i> on page 6-2) <i>or</i>
not shown	1	B63255	HID iCLASS proximity reader (see also <i>Reader kits</i> on page 6-2)
4	1	B60321	Reader gasket
5	1	C64565 ^a	Escutcheon with key (EV function) <i>or</i>
not shown	1	C64567 ^a	Escutcheon without key for Sargent rim installations (NV function)
6	2	A60317	Lens cover
not shown	2	A60318	Lens retaining ring
7	4	A60348	Reader assembly mounting screw
8	1	B64557	Beam
9	1	A64609	C-clip
10	1	A64571	Beam roller
11	2	A64610	Lever return spring (see also <i>Screw and spring kits for EXQ Series Exit Hardware Trim</i> on page 6-5)
12	1	C64552	Yoke
13	4	A64604	Shoulder screw (for yoke) (see also <i>Screw and spring kits for EXQ Series Exit Hardware Trim</i> on page 6-5)
14	1	B64562	Locking plate
15	1	B64573	Motor assembly
16	1	B82378	Control electronics board (see also <i>Control electronics kits</i> on page 6-3)
17	2	A64605	Electronics board mounting screw (see also <i>Screw and spring kits for EXQ Series Exit Hardware Trim</i> on page 6-5)
18	1	C82364	Primary harness (see also <i>Internal part kits for EXQ Series Exit Hardware Trim</i> on page 6-4)
19	1	B82375	Antenna jumper cable (see also <i>Internal part kits for EXQ Series Exit Hardware Trim</i> on page 6-4)
20	1	B82316	Sensor harness (see also <i>Internal part kits for EXQ Series Exit Hardware Trim</i> on page 6-4)
not shown	1	1879118	Cable tie
21	1	C64558	Lift finger (Precision Hardware rim and rod shown) (for additional lift fingers, see <i>Lift fingers</i> on page 5-13)
22	1	A64607	Washer
23	1	A64600	Lift finger screw (see also <i>Screw and spring kits for EXQ Series Exit Hardware Trim</i> on page 6-5)
24	1	D64551	Mounting plate for Precision Hardware and Sargent installations <i>or</i>
not shown	1	D64634	Mounting plate for Von Duprin installations
25	4	A64601	Mounting plate screw (see also <i>Screw and spring kits for EXQ Series Exit Hardware Trim</i> on page 6-5)
26	6	A64611	Mounting standoff (see also <i>Screw and spring kits for EXQ Series Exit Hardware Trim</i> on page 6-5)
27	1	C64564	Escutcheon gasket

a. Specify finish.

DUAL VALIDATION READER OUTSIDE ESCUTCHEON

Dual validation reader escutcheon assembly exploded view

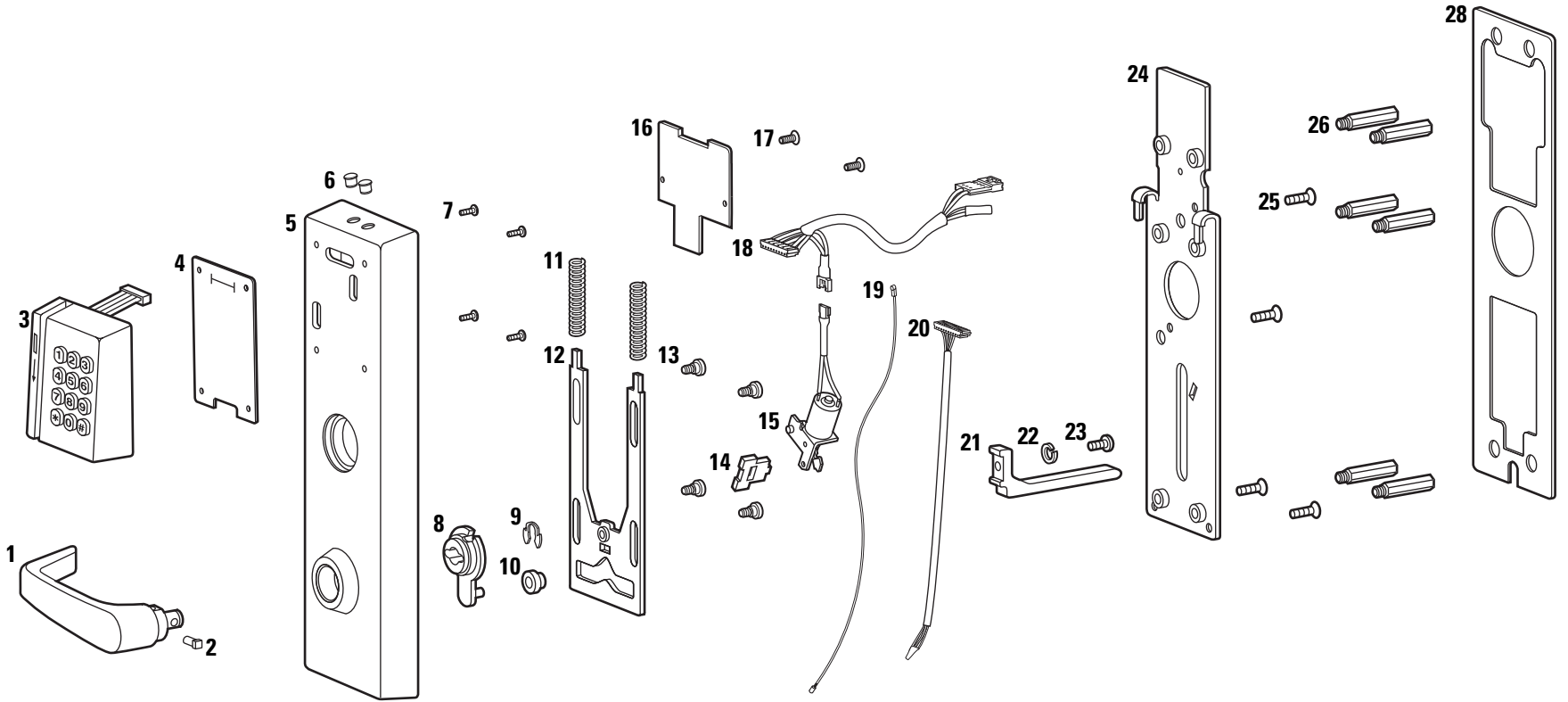


Figure 5.4 Dual validation reader escutcheon assembly (Precision Hardware-rim type shown)

Dual validation
reader escutcheon
assembly parts listRefer to [Figure 5.4](#) and the table below to find the part you need.

Item	Qty.	Part No.	Description
1	1	B64572 ^a	Lever assembly (#15 lever shown) (see also <i>Levers</i> on page 5-12)
2	1	B64556	Shear pin
3	1	B63281	Dual validation reader (see also <i>Reader kits</i> on page 6-2)
4	1	B63259	Reader gasket
5	1	C64565 ^a	Escutcheon with key (EV function)
not shown	1	C64567 ^a	Escutcheon without key for Sargent rim installations (NV function)
6	2	A60317	Lens cover
not shown	2	A60318	Lens retaining ring
7	4	A60348	Reader assembly mounting screw
8	1	B64557	Beam
9	1	A64609	C-clip
10	1	A64571	Beam roller
11	2	A64610	Lever return spring (see also <i>Screw and spring kits for EXQ Series Exit Hardware Trim</i> on page 6-5)
12	1	C64552	Yoke
13	4	A64604	Shoulder screw (for yoke) (see also <i>Screw and spring kits for EXQ Series Exit Hardware Trim</i> on page 6-5)
14	1	B64562	Locking plate
15	1	B64573	Motor assembly
16	1	B82378	Control electronics board (see also <i>Control electronics kits</i> on page 6-3)
17	2	A64605	Electronics board mounting screw (see also <i>Screw and spring kits for EXQ Series Exit Hardware Trim</i> on page 6-5)
18	1	C82364	Primary harness (see also <i>Internal part kits for EXQ Series Exit Hardware Trim</i> on page 6-4)
19	1	B82375	Antenna jumper cable (see also <i>Internal part kits for EXQ Series Exit Hardware Trim</i> on page 6-4)
20	1	B82316	Sensor harness (see also <i>Internal part kits for EXQ Series Exit Hardware Trim</i> on page 6-4)
not shown	1	1879118	Cable tie
21	1	C64558	Lift finger (Precision Hardware rim and rod shown) (for additional lift fingers, see <i>Lift fingers</i> on page 5-13)
22	1	A64607	Washer
23	1	A64600	Lift finger screw (see also <i>Screw and spring kits for EXQ Series Exit Hardware Trim</i> on page 6-5)
24	1	D64551	Mounting plate for Precision Hardware and Sargent installations <i>or</i>
not shown	1	D64634	Mounting plate for Von Duprin installations
25	4	A64601	Mounting plate screw (see also <i>Screw and spring kits for EXQ Series Exit Hardware Trim</i> on page 6-5)
26	6	A64611	Mounting standoff (see also <i>Screw and spring kits for EXQ Series Exit Hardware Trim</i> on page 6-5)
27	1	C64564	Escutcheon gasket

a. Specify finish.

CYLINDERS AND RELATED COMPONENTS

Mortise cylinder and related components

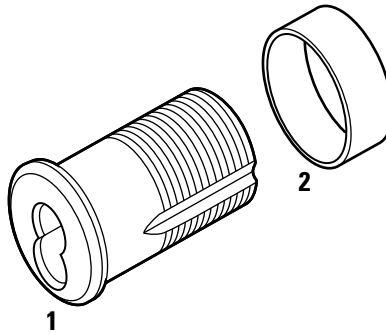


Figure 5.5 Mortise cylinder and cylinder ring

Mortise cylinder and related components parts list

Refer to [Figure 5.5](#) and the table below to find the part you need.

Item	Part No.	Description
1	B35173 ^a	7-pin cylinder assembly
2	A06280 ^a	Cylinder ring

a. Specify finish.

Rim cylinder and related components

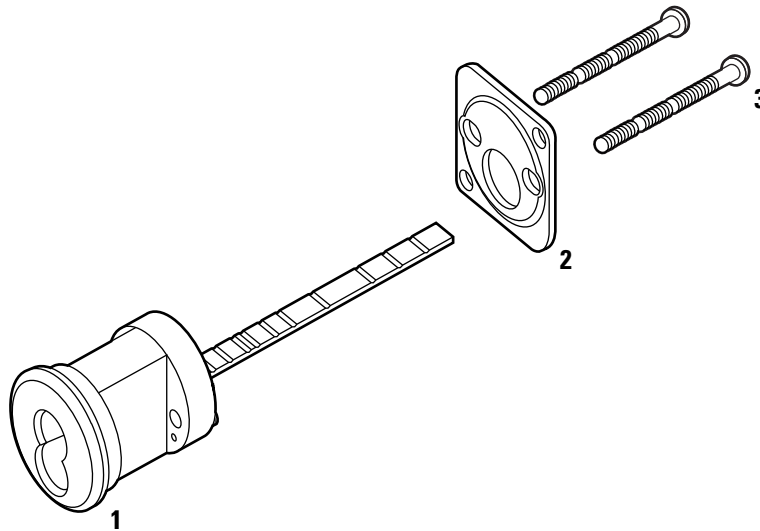


Figure 5.6 Rim cylinder and related components

Rim cylinder and related components parts list

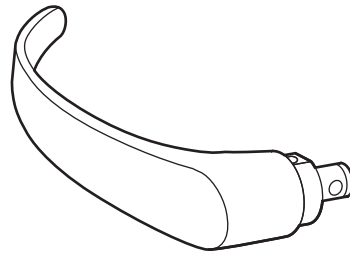
Refer to [Figure 5.6](#) and the table below to find the part you need.

Item	Qty.	Part No.	Description
1	1	B00689 ^a	7-pin cylinder assembly
2	1	C13910	Clamp plate
3	2	A14533	Mounting screws
not shown	1	A64635	Mounting sleeve ^b

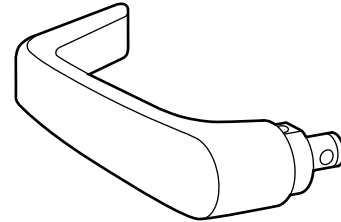
a. Specify finish.

b. For Von Duprin rim and rod applications and Sargent rim applications.

LEVERS



#14 lever



#15 lever

Figure 5.7 Levers diagram

Levers list Refer to [Figure 5.7](#) and the table below to find the part you need.

Item	Part No.
#14 lever (curved return)	B64577 ^a
#15 lever (contour angle return)	B64572 ^a

a. Specify finish.

LIFT FINGERS

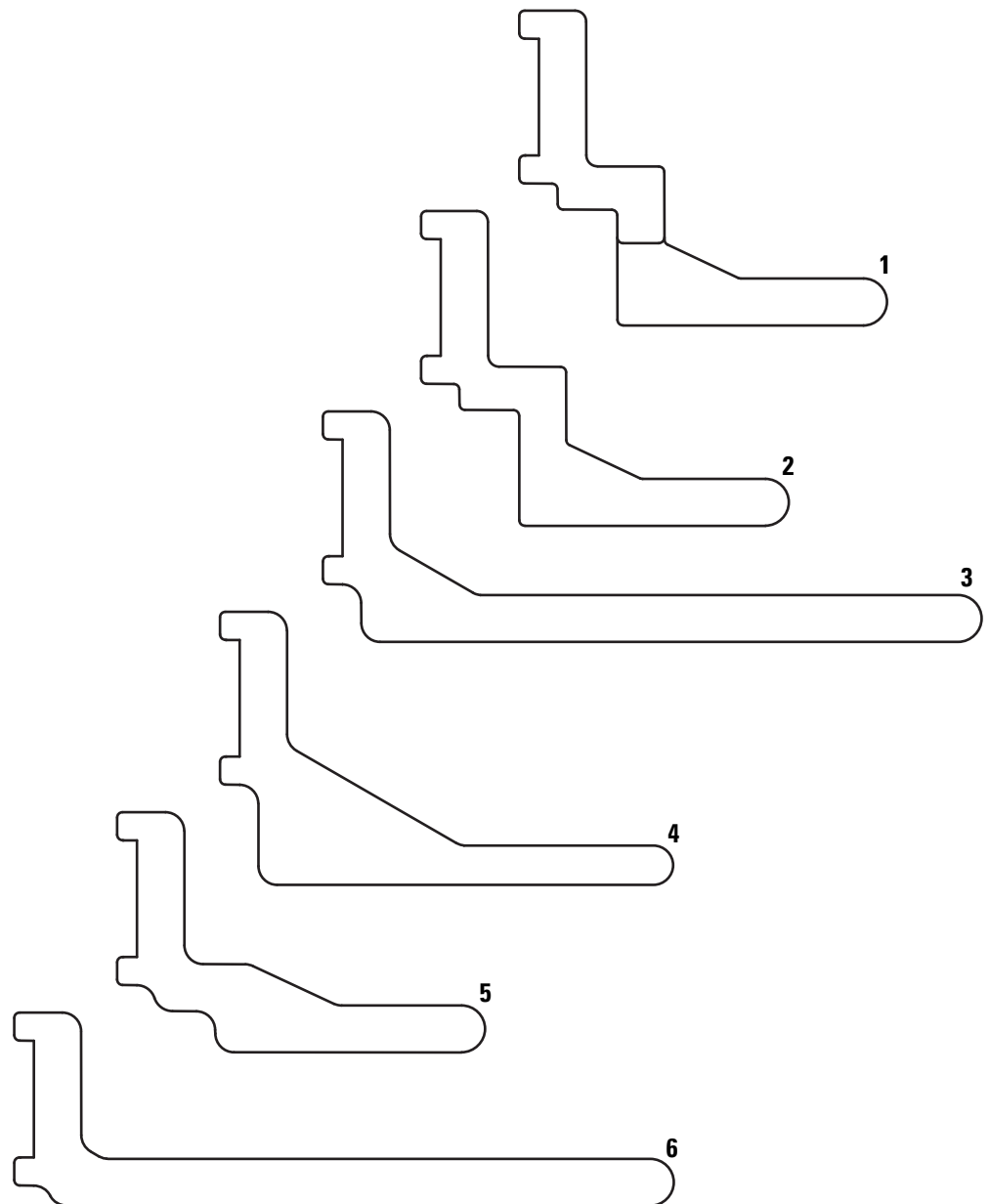


Figure 5.8 Lift fingers (shown actual size)

Lift fingers parts list

Refer to [Figure 5.8](#) and the table below to find the part you need.

Item	Part No.	Description
1	C64576	Lift finger (left hand) for Precision Hardware mortise installations
2	C64568	Lift finger (right hand) for Precision Hardware mortise installations
3	C64558	Lift finger for Precision Hardware rim and rod installations
4	C81071	Lift finger for Sargent installations
5	C64566	Lift finger for Von Duprin mortise installations
6	C64633	Lift finger for Von Duprin rim and rod installations

OTHER COMPONENTS

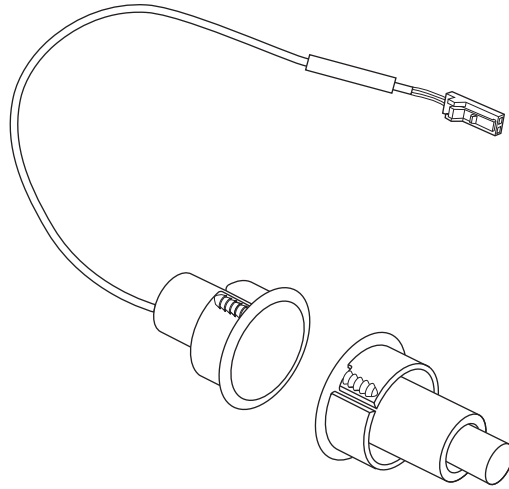


Figure 5.9 Door position switch and magnet assembly

Other components list

Refer to [Figure 5.9](#) and the table below to find the part you need.

Item	Part No.
Door position switch and magnet assembly	A60413

CHANGING THE HANDING

Each time you change the handing you need to replace the following parts with new parts:

- escutcheon gasket (C64564)
- cable tie (1879118)
- lift finger screw (A64600)

Note: For part numbers for screw kits, see *Screw and spring kits for EXQ Series Exit Hardware Trim* on page 6-5.

- 4 mounting plate screws (A64601)
- 4 shoulder screws (A64604).

Note: When changing the handing for Precision Hardware mortise applications, you must replace the lift finger with the correct lift finger for the desired handing. To order the left-hand lift finger, use part number C64576. To order the right-hand lift finger, use part number C64568.

1. Remove the following parts:

- escutcheon from the door
- mounting standoffs
- escutcheon gasket
- lift finger
- mounting plate
- lever return springs
- yoke
- beam and beam roller
- lever assembly.

2. Make sure that the shear pin is positioned in the lever so that the head faces the opposite direction of the lever handle. Then insert the lever through the escutcheon, positioning the lever so its handle will point toward the door hinges. See [Figure 5.10](#).

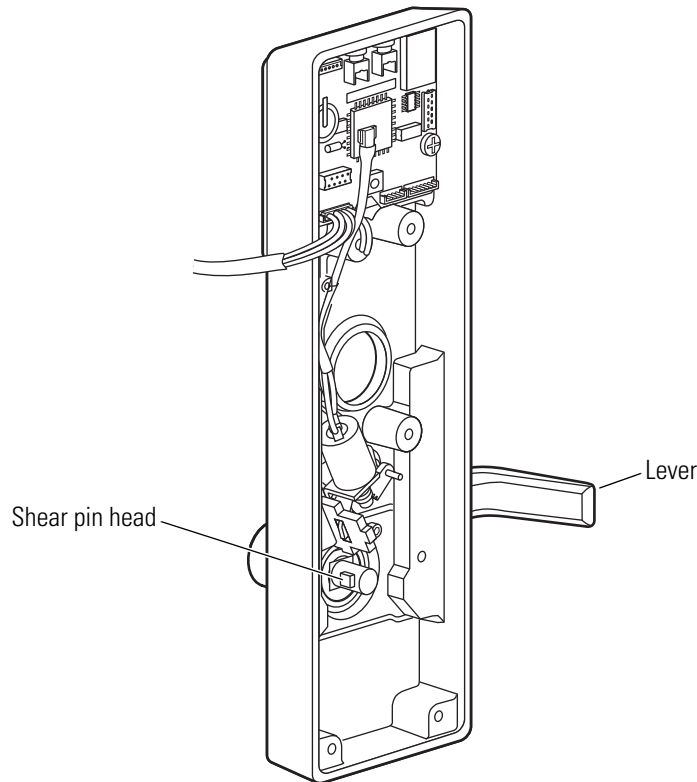


Figure 5.10 Changing the handing

3. Reinstall the following parts:
 - beam and beam roller
 - yoke
 - lever return springs
 - mounting plate
 - lift finger
 - escutcheon gasket
 - mounting standoffs
 - escutcheon on the door.

6

FIELD SERVICE KITS

This chapter describes field service kits for standard Wi-Q Locks and EXQ Series Exit Hardware Trim. It includes parts lists for field replacement kits, wireless conversion kits, outside escutcheon assemblies, and inside escutcheon retrofit kits. For part numbers for individual components, see *Chapter 2 Standard Escutcheon Assemblies* beginning on [page 2-1](#) and *Chapter 5 Exit Device Trim Components* beginning on [page 5-1](#).

FIELD REPLACEMENT KITS

Unless otherwise noted, each kit contains a quantity of one for each component indicated.

Reader kits The reader kits described in the table below are used for both standard Wi-Q Locks and EXQ Series Exit Hardware Trim.

Kit Name	Part No.	Components											
		Magnetic stripe reader assembly (track 1)	Magnetic stripe reader assembly (track 2)	Magnetic stripe reader assembly (track 3)	Dual validation reader assembly (track 1)	Dual validation reader assembly (track 2)	Dual validation reader assembly (track 3)	HID proximity reader assembly	HID iCLASS proximity reader assembly	Indala proximity reader assembly	Escutcheon gaskets	Mounting plate screw	Lift finger screw
Magnetic Stripe Reader (Track 1) Kit	1837869	■									a	5	■
Magnetic Stripe Reader (Track 2) Kit	1833445		■								a	5	■
Magnetic Stripe Reader (Track 3) Kit	1837900			■							a	5	■
Dual Validation Reader (Track 1) Kit	1837984				■						a	5	■
Dual Validation Reader (Track 2) Kit	1838024					■					a	5	■
Dual Validation Reader (Track 3) Kit	1838066						■				a	5	■
HID Proximity Reader Kit	1838307							■			a	5	■
HID iCLASS Proximity Reader Kit	3128832								■		a	5	■
Indala Proximity Reader Kit	1838464									■	a	5	■

a. Kit includes one escutcheon gasket for standard Wi-Q Locks and one escutcheon gasket for EXQ Series Exit Hardware Trim.

Control electronics kits The table below describes control electronics kits for standard Wi-Q Locks and EXQ Series Exit Hardware Trim.

Kit Name	Part Number	Components								
		Universal wireless door controller	Exit Hardware Trim control electronics board	Magstripe temp. operator card	HID prox. temp. operator card	Motorola prox. temp. operator card	HID iCLASS temp. operator card	Mounting plate screw	Lift finger screw	Escutcheon gaskets
Standard Wi-Q Universal Wireless Door Controller Kit	3130637	■		■	■	■	■			■
EXQ Series Exit Hardware Trim Control Electronics Kit	3130679		■	■	■	■	■	5	■	■

Wire harness kits for standard Wi-Q Locks The wire harness kits described in the table below are used only for standard Wi-Q Locks. For the Harness Kit for EXQ Series Exit Hardware Trim, see [page 6-4](#).

Kit Name	Part Number	Components			
		Primary harness	Sensor harness	Antenna jumper cable	Escutcheon gasket
Mortise Wire Harness Kit	3130794	■	■	■	■
Cylindrical Wire Harness Kit	3130710	■	■	■	■

**Internal part kits
for EXQ Series
Exit Hardware Trim**

The internal part kits described in the table below are for EXQ Series Exit Hardware Trim only.

Kit Name	Part No.	Components										
		Primary harness	Sensor harness	Antenna jumper cable	Motor assembly	Socket head screw	Spacer	Shear pin	Shoulder screw	Mounting plate screw	Lift finger screw	Escutcheon gasket
Wire Harness Kit	3131075	■	■	■						4	■	■
Motor Assembly Kit	1878973				■	■	■			4	■	■
Shear Pin Kit	1879013							■	4	4	■	■

**Other part kits for
EXQ Series Exit
Hardware Trim**

The kit described in the table below is for EXQ Series Exit Hardware Trim only.

Kit Name	Part Number	Components				
		Door position switch	Door position magnet assembly	Tape strip	AWG butt splice	Cable tie
EXQ Sensor Installation Pack	3106489	■	■	2	6	2

Screw and spring kits for EXQ Series Exit Hardware Trim

The kits described in the table below are for EXQ Series Exit Hardware Trim.

Kit Name	Screw Qty.	Part No.
Battery Bracket Screw Kit for Doors Less than 2" Thick Kit ^a	10	1879055
Battery Bracket Screw for Doors 2" Thick or Greater Kit ^b	10	1879097
Mounting Standoff Kit	10	1877587
Mounting Plate Screw Kit	25	1879170
Lever Return Spring Kit	10	1877545
Shoulder Screw (for Yoke) Kit	10	1879338
Lift Finger Screw Kit	10	1879411
Motor Mounting Screw Kit	10 ^c	1879370
Electronics Board Mounting Screw Kit	25	1839300

a. Contains 10 1-1/4" battery bracket screws.

b. Contains 10 1-3/4" battery bracket screws.

c. Contains 10 motor mounting screws and 10 motor stop spacers.

B.A.S.I.S. TO WIRELESS CONVERSION KITS

The table below describes kits for converting a standard B.A.S.I.S. Lock to a Wi-Q Lock for use in a wireless application.

Kit Name	Nomenclature ^a	Components												
		9KQ Chassis ^b	45H DV Function Mortise Case ^c	45H TV Function Mortise Case ^d	Door status switch and magnet assembly	Universal control electronics board	Electronics mounting screw and spacer	Primary harness	Sensor harness	4-cell battery holder	Cable tie and retainer	Cylindrical I/S Esc Conversion Kit ^e	Mortise DV I/S Esc Conversion Kit ^e	Mortise TV I/S Esc Conversion Kit ^e
Cylindrical Wireless Upgrade Kit	WQCNKT-1	■			■	■	2	■	■		■	■		
Mortise DV Function Wireless Upgrade Kit	WQCNKT-2		■			■	2	■	■	■	■		■	
Mortise TV Function Wireless Upgrade Kit	WQCNKT-3			■		■	2	■	■	■	■			■
Cylindrical (w/o Chassis) Wireless Upgrade Kit ^f	WQCNKT-4					■	2	■			■	■		

- a. Specify finish.
- b. This chassis provides the new motor and includes an RQE hub.
- c. Includes RQE, door position switch, latch position switch, and key override sensor to provide full alarm functionality.
- d. Includes RQE, door position switch, deadbolt position switch, and key override sensor to provide full alarm functionality.
- e. For a description of the kit contents, see *Inside escutcheon conversion kits* below.
- f. This kit can only be used with a chassis dated January 2009 or later on the inside sleeve. It does not provide RQE functionality.

INSIDE ESCUTCHEON CONVERSION KITS

The table below describes kits for converting older standard Wi-Q Locks to the stamped inside escutcheon.

Kit Name	Nomenclature ^a	Components								
		Fire plate	Top cover gasket	Cover assembly with wireless antenna	Stamped escutcheon sleeving kit ^b	Cylindrical inside escutcheon bottom cover	Mortise inside escutcheon bottom cover	Mortise inside escutcheon bottom cover with thumbturn	Inside escutcheon cover mounting screw	Escutcheon mounting screw
Cylindrical Inside Escutcheon Conversion Kit	9KEKT-Q-DV	■	■	■	■	■			4	2
Mortise DV Function Inside Escutcheon Conversion Kit	40HEKT-Q-DV	■	■	■	■		■		4	2
Mortise TV Function Inside Escutcheon Conversion Kit	40HEKT-Q-TV	■	■	■	■			■	4	2

- a. Specify finish.
- b. Includes two sleeving strips and instructions.

OUTSIDE ESCUTCHEON ASSEMBLIES

The table below provides part numbers for ordering complete outside escutcheon assemblies for Wi-Q Locks.

Reader Type	Part Number ^a			
	Cylindrical	Mortise (Standard Cylinder)	Mortise (Other Cylinder)	Mortise (Without Cylinder)
Magnetic Stripe	C82137	C82387	C82394	C82391
Dual Validation	C82135	C82385	C82328	C82327
HID Proximity	C82136	C82386	C82395	C82392
HID iCLASS Prox	C83446	C83447	C83448	C83449
Indala Proximity	C82138	C82388	C82396	C82393

a. Specify finish.

7

OTHER COMPONENTS

This chapter provides diagrams and part numbers for the following Wi-Q items:

- card readers and encoders
- wireless components including wireless access controllers, portal gateways, power-over-ethernet devices, transformers, modems, and antenna kits
- replacement battery packs
- service tools.

CARD READERS AND ENCODERS



Track 2 magnetic card reader



Track 1-2-3 magnetic stripe
card encoder / decoder



Proximity card
enrollment reader

Figure 7.1 Card encoders

Card readers and encoders parts list

Refer to [Figure 7.1](#) and the table below to find the part you need.

Nomenclature	Description
OMD-11274	Track 2 magnetic card reader
BE-NTDMSR20633BA	Track 1-2-3 magnetic stripe card encoder / decoder
OMD-11507-002	Proximity card enrollment reader

Portal gateway



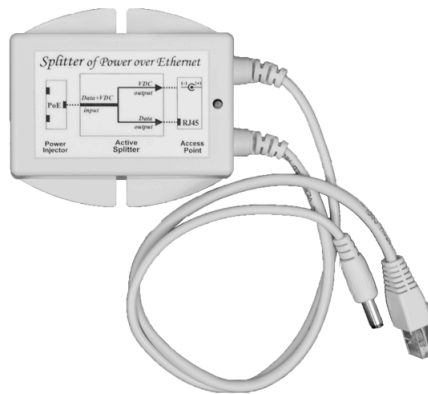
Figure 7.3 Portal gateway

Portal gateways parts list

Refer to [Figure 7.3](#) and the table below to find the part you need. For information about antenna kits sold separately, see *Antenna kits* on page 7-7.

Nomenclature	Description
WQX-PG	Portal gateway with half wave dipole omnidirectional antenna
WQX-PG-C	Portal gateway with ceiling mount omnidirectional antenna
WQX-PG-C-B	Portal gateway with enclosure, power supply, and ceiling mount omnidirectional antenna
WQX-PG-BP	Portal gateway in a mounting enclosure with power supply
WQX-PG-BP-C	Portal gateway in mounting enclosure without power supply
WQX-PG-W	Portal gateway with wall mount directional antenna
WQX-PG-W-B	Portal gateway with enclosure, power supply, and wall mount directional antenna

Power and adapter devices



Power-over-ethernet active splitter with isolation



Power-over-ethernet power supply / inserter



Plug-in transformer

Figure 7.4 Power and adapter devices

Power and adapter parts list

Refer to [Figure 7.4](#) and the table below to find the part you need.

Nomenclature	Description
WQD-12928-001	Power-over-ethernet active splitter with isolation
WQD-12927-001	Power-over-ethernet power supply / inserter
WQD-12827	Plug-in transformer

Modem



Figure 7.5 Modem and power adapter

Modem parts list

Refer to [Figure 7.5](#) and the table below to find the part you need.

Nomenclature	Description
WQD-12873-001	Dial-up to ethernet modem with power adapter

Antenna kits



**Exterior omni-directional
mast mount antenna kit**



**Exterior directional
mast mount antenna kit**



**Interior omni-directional
ceiling mount antenna kit**



**Interior directional
wall mount antenna kit**

Figure 7.6 Antenna kits

Antenna kits list

Refer to [Figure 7.6](#) and the table below to find the part you need.

Nomenclature	Description
WQD-AEMO	Exterior omni-directional mast mount antenna kit ^a
WQD-AEMD	Exterior directional mast mount antenna kit ^b
WQD-ACMO	Interior omni-directional ceiling mount antenna kit ^c
WQD-AWMD	Interior directional wall mount antenna kit ^d
WQD-AGT	Exterior antenna grounding kit (not shown) ^e
WQD-SURG	Surge protection kit (not shown)

- Includes antenna, wall and post mounts, and a 20' cable to connect the antenna to a single door controller or portal gateway.
- Includes antenna, wall and post mounts, and a 20' cable to connect the antenna to a single door controller or portal gateway.
- Includes antenna, standard mount, and a 20' cable to connect the antenna to a portal gateway.
- Includes antenna, standard mount, and a 20' cable to connect the antenna to a portal gateway.
- Includes coax grounding kit and lightning arrester.

Site survey kit and beacons

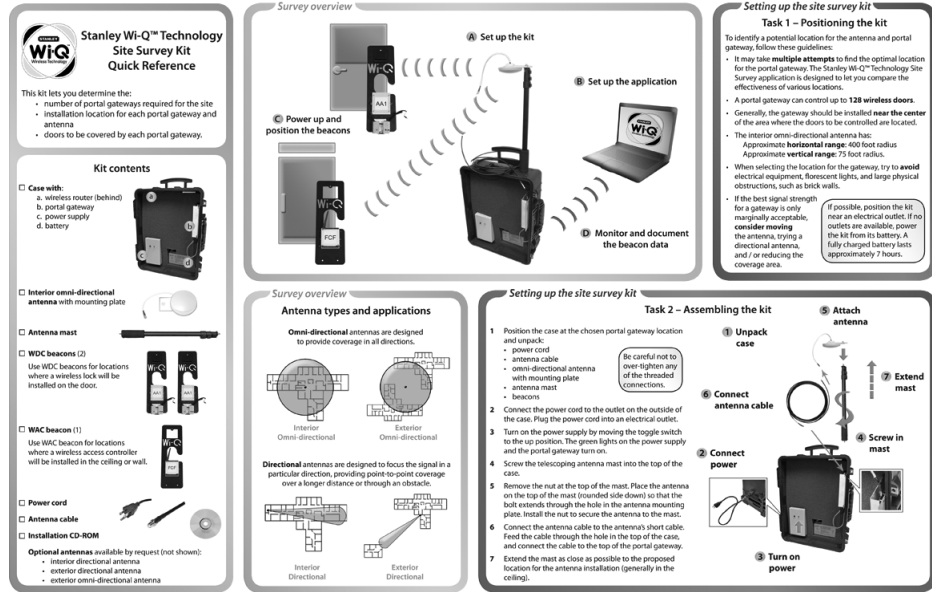


Figure 7.7 Site survey kit and beacons components

Site survey kit and beacons parts list

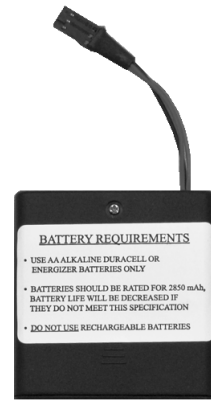
Refer to Figure 7.7 and the table below to find the part you need.

Nomenclature or Part No.	Description
WQD-SURVEY	Site survey kit with 3 beacons
C82310	Site survey kit without beacons
3112597	Set of three wireless beacons
C83010	Single wireless beacon

BATTERY PACKS



Sealed battery pack



4-cell battery holder



8-cell battery holder

Figure 7.8 Battery pack

Battery packs parts list

Refer to [Figure 7.8](#) and the table below to find the part you need.

Nomenclature	Description
VDP-BB	Sealed 4-cell battery pack
C83511	4-cell battery holder with batteries
C83522	8-cell battery holder with batteries

TOOLS



T15 TORX wrench

Figure 7.9 Tools

Tools parts list

Refer to [Figure 7.9](#) and the table below to find the part you need.

Part No.	Description
A82790	T15 TORX wrench

8

TROUBLESHOOTING

This chapter describes the visual and audible responses of Wi-Q Locks. It also contains instructions for troubleshooting problems. A reference table for understanding lock transaction types is also provided.

VISUAL AND AUDIBLE RESPONSE QUICK REFERENCE

The tables below summarize the visual and audible responses for Wi-Q Locks.

Visual Response	Audible Response	Meaning
Access Events		
Green	—	Access granted.
Green - Green	—	Token entered and accepted; PIN required. <i>Or</i> , manager code entered and accepted.
Green - Red - Red	—	Access granted and battery is low (warning).
Red	Chirp - Chirp - Chirp (descending)	Access denied.
Red	Chirp	Keyboard timed out.
Red	Beep - Beep (descending at start and ascending at end)	Anti-tamper state in progress.
Red - Red - Red	—	Access denied and battery is low (warning).
—	Chirp	Lock failed to read the magnetic stripe card.
Sensor Events		
Green	—	Request to exit was made. <i>Or</i> , key was detected.
Red	—	Strike relay was released.
Power Events		
Green - Green - Green - Green - Green	—	External power is active (after initial power up)
Red - Green (repeat 8 times)	Chirp - Chirp - Chirp (ascending)	Lock powered up.
Red - Red - Red - Red - Red	—	External power was removed.
Reset Events		
Green	Chirp	Lock was reset by pressing reset button.
Green - Green - Green	Chirp - Chirp - Chirp (ascending)	Lock completed a deep reset.
5 flashes (one for each test) Green = Pass Red = Fail	5 chirps (one for each test) High chirp = Pass Low chirp = Fail	Lock completed tests after being reset using the reset button.
Red - Red - Red	Beep - Beep - Beep (descending)	Lock initiated a deep reset.

Visual Response	Audible Response	Meaning
Programming and Communication Events		
Green	—	Programmer code entered and accepted.
Green steady on	—	Comm processor programming in progress.
Green - Green - Green	Beep - Beep - Beep (ascending)	Portal connected.
Green & Red (flashing until portal connected or search fails)	—	Sign-on code entered and accepted for portal search.
Green - Red - Green	—	Channel lock acquired.
Red steady on	—	Main processor programming in progress.
Red - Red - Red	Beep - Beep - Beep (descending)	Portal connection failed.

RESPONDING TO PROBLEMS

The following table provides suggestions for responding to problems with your Wi-Q System.

You notice...	Possible causes include...	You should...
Transactions, readers, or statistics are not updating <i>or</i> the portal gateway is not communicating.	<ul style="list-style-type: none"> a. A portal gateway error condition exists. b. Microsoft.NET / IIS registration is not configured properly. 	<ul style="list-style-type: none"> a. To check for error conditions: <ol style="list-style-type: none"> 1. Using Web Administration, log into the portal gateway. 2. Click Status to view the Status page. 3. Respond to any portal gateway errors that appear. (See the portal gateway errors listed in this table.) b. To perform a quick registration repair by re-registering ASP.NET with IIS: <ol style="list-style-type: none"> 1. Navigate to a command line prompt on the PC. (Run CMD from the Start button.) 2. At the command line prompt, type the following command and then press Enter: C:\Windows\Microsoft.NET\Framework\v2.0.50727\aspnet_regiis -i <p>To perform a full repair of Microsoft.NET and IIS:</p> <ol style="list-style-type: none"> 1. Navigate to the PC's Control Panel and launch Add/Remove Programs. 2. Select Microsoft.NET 2.0 Framework, select Change/Remove, and click Repair.
Readers do not remain connected	<ul style="list-style-type: none"> a. The portal gateway and / or readers are not optimally placed. b. There are insufficient portal gateways to cover the areas with readers. c. Portal gateways and / or readers may not have the latest firmware. 	<ul style="list-style-type: none"> a. Check the signal strength to ensure the readers and portal gateways are optimally positioned in relation to each other. b. Check whether there are sufficient portal gateways to cover all of the readers in the building. If not, install additional portal gateways. c. Confirm that all readers and portal gateways have the latest firmware version. If not, update the readers and portal gateways as necessary.
Portal gateway error: Error 110 or 113	<ul style="list-style-type: none"> a. The Wi-Q Server IP address is incorrect. b. The Windows Firewall is not configured properly. 	<ul style="list-style-type: none"> a. On the Wi-Q Portal Gateway Setup page, make sure that the IP address for the Wi-Q Server has been entered correctly. b. Check Windows Firewall and make sure that the following ports, which are required for proper communication between the Wi-Q System, SQL, and IIS, are included in the firewall exception list: Ports 80, 443, 1433, and 1434.
Portal gateway error: Access Denied	The Windows account is not configured properly.	Make sure that the Username and Password for WAMS Server Access match the Windows account Username and Password. Also, make sure that the Windows account has the appropriate rights and privileges.

You notice...	Possible causes include...	You should...
Portal gateway error: Method Not Allowed or Internal Server Error (500)	There may be a problem with IIS.	Check IIS functionality by going to the following web site: http://localhost/OSI/OSIPortalServices/OSIPortalsService.aspx
Portal gateway error: HTTP Errors 403 (403.1 - Check IIS)	Web server extensions may not be configured properly.	Check the Web Server Extensions and ensure ASP.NET is allowed and <i>not</i> prohibited.
Portal gateway error: HTTP Errors 403 (403.9 - Too many users)	The Wi-Q System has more than 4 portal gateways and IIS 5.x on Windows XP is configured for a maximum of 10 concurrent HTTP connections by default.	Increase the IIS 5.x connection limit to 40. Note: You can check the IIS log file at the following location: %WINDIR%\SYSTEM32\LogFiles. <i>Or</i> , upgrade the server to the Microsoft Windows Server 2003 operating system, which has IIS 6.1.
Portal gateway error: Status description = can not set column readname the value violates the maxlength limit for this column	The number of characters in the name of the reader and portal gateway, including the MAC address, exceeds 50 characters.	<ol style="list-style-type: none"> 1. Delete the reader from the facility. 2. Perform a deep reset on the reader and sign back onto the system. 3. Rename the reader, making sure that the combination of reader name, portal gateway name, and MAC address do not exceed 50 characters.

LOCK TRANSACTION TYPES

The following table describes in numerical order each transaction that can be recorded at a Wi-Q Lock.

Transaction Type	ID	Description
AC FAIL	51	AC power to the lock was removed.
AC ONLINE	52	AC power to the lock was restored.
ALARM CLEARED	0	An alarm condition ended.
ANTI-TAMPER	6	The lock locked out users for 60 seconds after access was denied multiple times for the indicated card or PIN.
ATTEMPT	3	The lock denied entry for the indicated card or PIN.
CONFIGURATION UPDATED	18	Access information was updated for the system.
CONNECTED	36	The reader reconnected to the portal gateway.
CONNECTION ATTEMPT	37	The reader attempted to connect to the portal gateway.
DLP SUPERVISION FAULT	23	The latch status switch lost communication.
DOOR LATCH OPEN	13	The door latch was held open.
DOOR OPEN TOO LONG	12	The door was left open too long during a period when it should have been locked.
DPS SUPERVISION FAULT	24	The door position switch lost communication.
ENTRY	2	The lock allowed entry for the indicated card or PIN.
FORCED ENTRY	14	The door was opened without an Access Granted event.
INPUT POINT – ALARM	22	The I/O configured as alarm was activated.
INPUT POINT – NORMAL	20	The I/O configured as normal was activated.
INPUT POINT – WARNING	21	The I/O configured as warning was activated.
INVALID TRANSACTION TYPE	-1	Credential information is corrupt.
KEY BYPASS	8	The lock was unlocked using the key override.
KEY SUPERVISION FAULT	25	The key override switch lost communication.
LOGON	1	The controller connected to the portal gateway.

Transaction Type	ID	Description
LOST DATA	10	Packets of information were not received by the lock.
LOW BATTERY	15	The lock's batteries are low and should be replaced immediately.
LOW BATTERY SHUTDOWN	16	The lock can no longer function because its battery power is too low.
MOTOR FAULT	17	The lock's motor was not detected or was not operable.
PORTAL ANTI-TAMPER	50	The anti-tamper switch for the portal gateway has been tripped.
PORTAL BATTERY SHUTDOWN	53	The portal gateway shut down due to low battery power.
PORTAL FIRMWARE UPDATE	33	The firmware for the portal gateway was updated successfully.
PORTAL LOGIN ATTEMPT	35	An attempt to log into the portal gateway failed.
PORTAL LOGIN SUCCESSFUL	34	An attempt to log into the portal gateway was successful.
PORTAL OFFLINE	31	The portal gateway lost its connection to the server.
READER FIRMWARE UPDATE	32	The firmware for the reader was updated successfully.
READER OFFLINE	30	The reader lost its connection to the portal gateway.
REMOTE ENTRY	7	The remote release switch was activated.
REQUEST TO EXIT	11	The lock responded to a request to exit.
REX SUPERVISION FAULT	26	The request-to-exit switch lost communication.
SET ACCESS LEVEL	4	The access level was assigned to the user or the timezone interval was established to the reader.
SET CLOCK	9	The portal gateway or reader synchronized its time with the server.
SET USER GROUP LEVEL	5	The user group information for the user was set.

A

GLOSSARY

Armored front	The mortise lock front and faceplate designed to prevent tampering with the cylinder clamp screw and case mounting screws.
Backset	The distance from the faceplate to the center of the cylinder or lever.
Cam	See <i>Cylinder cam</i> .
Card reader	A device that reads the information encoded on magnetic stripe cards or proximity cards.
Core	See <i>Interchangeable core</i> .
Cylinder	See <i>Mortise cylinder</i> .
Cylinder cam	A rotating part of a keyed cylinder that drives the deadbolt or latchbolt.
Cylinder ring	A metal ring that fits around the cylinder and protects it from tampering. The cylinder ring also spaces the cylinder out to the right position.
Door bevel	The angle on the edge of a door.
Door status sensor	A sensor that monitors whether the door is open or closed. This sensor is used to detect a forced entry, or a door that is propped open.
Escutcheon	A surface-mounted plate that covers holes that were made in the door for levers and cylinders.
Faceplate	A finished part of a mortise lock that covers the armored front. See <i>Armored front</i> .
Figure-8	The basic shape of the interchangeable core and its housing (door lever, cylinder, padlock, and so forth.). See also <i>Interchangeable core</i> .

Fob	A small device that can be carried on a key ring, has an integrated circuit to which data is encoded, and is used to activate a lock.
Hand of door	The swing direction of the door as viewed from the outside of the door. A right-handed (RH) door is hinged on the right and swings inward. A left-handed (LH) door is hinged on the left and swings inward. If either of these doors swings outward, it becomes a right-hand reverse bevel (RHRB) door, or a left-hand reverse bevel (LHRB) door respectively.
Interchangeable core	A figure-8 shaped device that contains all mechanical parts for a masterkeyed system. The interchangeable core can be removed by a special control key and can be recombined without disassembling the lock. See also <i>Figure-8</i> .
Key override	An optional feature that enables an authorized user (in an emergency) to bypass all electronic locking features, and open the lock with a mechanical key.
Latch status sensor	A sensor that monitors whether the latchbolt is extended or retracted. This sensor can be used in combination with the door status sensor to determine whether the door is fully secure.
Lock function	The way a lock operates.
Magnetic stripe card	A credit-card shaped device that has a magnetic strip to which data is encoded and is used to access a lock.
Mortise cylinder	A threaded lock cylinder that screws directly into the lock case. A key-driven rotating cam, attached to the back, drives the locking mechanism.
Mortise	A rectangular cavity cut into the edge of a door. Also can mean the act of making such a cavity.
Mortise lock	A lock that fits into a mortise. Other locks fit into bored holes or mount to a surface. See also <i>Mortise</i> .
Proximity card	A credit-card shaped device that has an integrated circuit to which data is encoded and is used to activate a lock.
Removable core	See <i>Interchangeable core</i> .
Request-to-exit switch	A switch that allows the user to exit without setting off an alarm. Wi-Q Locks can be supplied with an internal request-to-exit switch. Turning the inside lever actuates the switch and, when wired to an alarm system, sends a signal to disable or sound an alarm, start a timer, and so forth.
Template	A precise, detailed hole pattern that serves as a guide for the mortising and drilling of doors and frames.
Wire harness	A group of wires bundled together with connectors at either end.

B

INSTALLATION INSTRUCTIONS

The following pages contain:

- *Installation Instructions for 40HQ Wi-Q™ Mortise Locks*
- *Installation Instructions for 93KQ Wi-Q™ Cylindrical Locks*
- *Installation Instructions for EXQ Wi-Q™ Exit Hardware Trim*



Installation Instructions for Wi-Q™ Technology 45HQ Mortise Locks

Contents

These installation instructions describe how to install your 45HQ Mortise Lock. Topics covered include:

Preparing the door 1
Configuring and installing the mortise case..... 3
Installing the trim 4
Completing the installation..... 9

Patents

Products covered by one or more of the following patents:
 6,720,861

1 Identify holes to drill

- 1 Determine the lock function to be installed.
 Caution: Determine the inside and outside, hand, and bevel of the door.
- 2 See the *Holes by Function* table and Figure 1 to determine the holes to be drilled for the lock function.

<i>Holes by Function</i>	Functions			
	DV		TV	
Holes to drill	I/S	O/S	I/S	O/S
A Forged trim (2 holes) [†]	Through door	Through door	Through door	Through door
B Harness [†]	Through door	Through door	Through door	Through door
C Standard cylinder		■		■
D Sensor & motor wire (2 holes)	■		■	
F Thumb turn			■	
G Trim mounting (2 holes) [‡]	Through door	Through door	Through door	Through door
H Lever ^{††}	Through door	Through door	Through door	Through door
J Door sensing channel (2 holes)	DO NOT DRILL		See Figure 1	

[†] Determine trim holes based on trim type.
[‡] Because these holes pass through the mortise pocket, it is recommended that each hole be drilled separately rather than straight through.

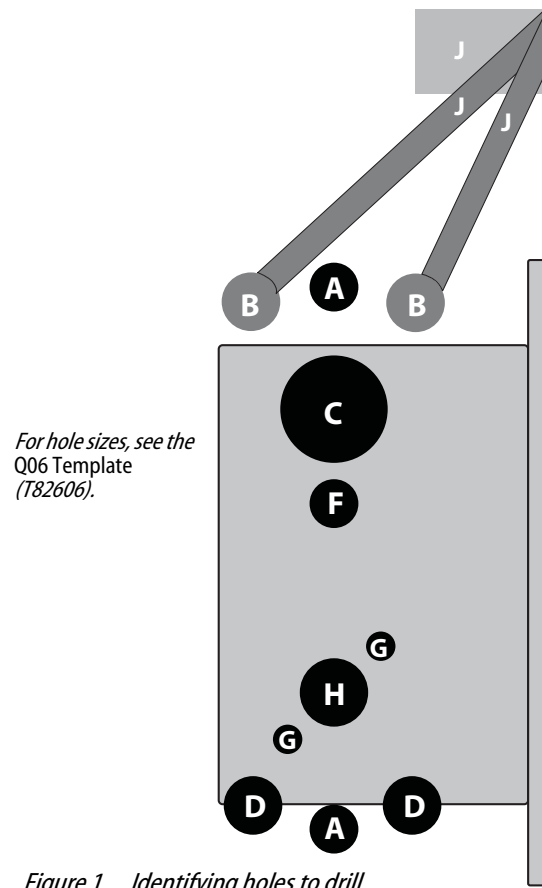


Figure 1 Identifying holes to drill

Preparing the door

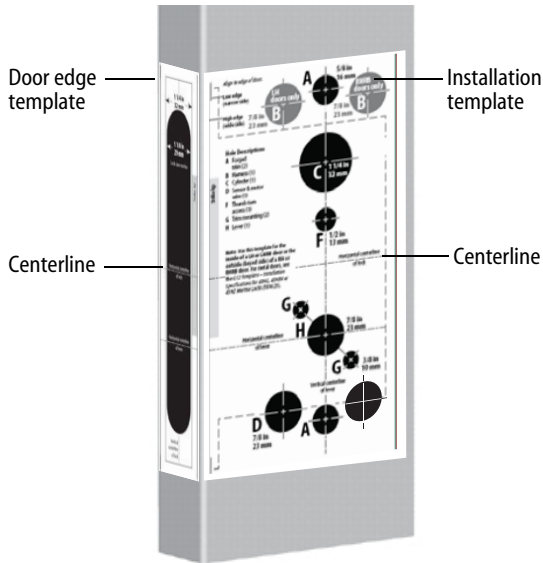


Figure 2 Aligning the templates

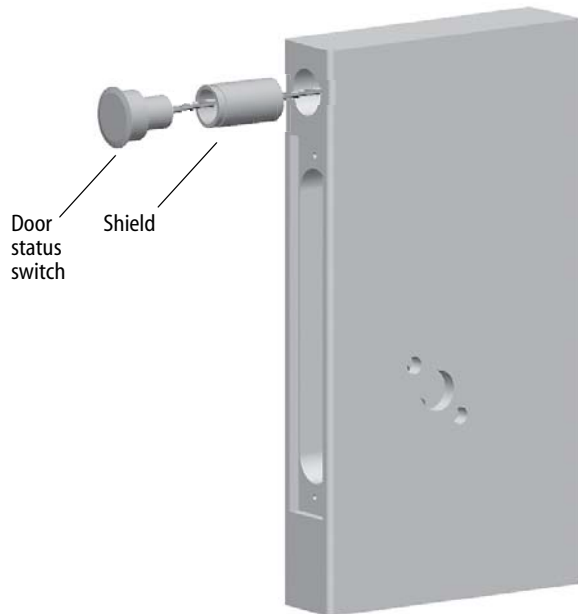


Figure 3 Installing the door status switch

2 Align templates

Note: If the door is a fabricated hollow metal door, determine whether it is properly reinforced to support the lock. If door reinforcement is not adequate, consult the door manufacturer for information on proper reinforcement. For dimensions for preparing metal doors, see the Q03 Template—Installation Specifications for 45HQ Mortise Locks (T82603).

- 1 Separate the four templates provided on the Q06 Template—Installation Template for 45HQ Mortise Locks (T82606).
- 2 Position one of the door edge templates on the door, making sure that the lock case mortise shown on the template aligns with the mortise pocket prepared in the door.
- 3 Using the centerlines on the door edge template as a guide, position the appropriate door template on each side of the door. You need to take the bevel into account. Tape the templates to the door.

3 Center punch and drill holes

- 1 Center punch the necessary drill points. See the instructions on the template.
- 2 Drill the holes.

Note 1: To locate the center of a hole on the opposite side of the door, drill a pilot hole completely through the door.

Note 2: For holes through the door, it is best to drill halfway from each side of the door to prevent the door from splintering.

4 Install door status switch

(optional for deadbolt TV function locks only)

- 1 Position the shield on the door status switch with the notch facing downwards (towards the mortise pocket).

Caution: Make sure the wires are not routed across any sharp edges or over any surface that could damage its sleeving.

Configuring & installing the mortise case

- 2 Feed the wires for the door status switch into the door status switch hole and through the channel into the mortise cavity and out through one of the sensor and motor wire holes.
- 3 Press fit the door status switch assembly into the door status switch hole.

5 Rotate latchbolt (if necessary)

Note: If a function specific mortise case was ordered, some steps for configuring the case have already been performed at the factory.

- 1 Determine whether you need to rotate the latchbolt to match the handing of the door.

Note: The angled surface of the latchbolt must contact the strike when the door closes.

- 2 If you need to rotate the latchbolt, insert a flat blade screwdriver into the latch access point approximately 1/2" into the case and press to extend the latch out of the case. See Figure 4.
- 3 Rotate the latchbolt 190 degrees (slightly past 180 degrees) and allow it to retract into the case.

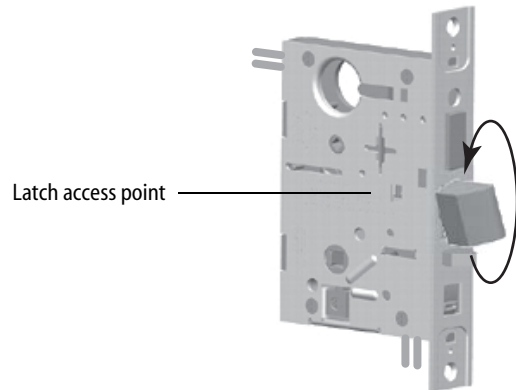


Figure 4 Rotating the latchbolt

6 Position hub toggles (if necessary)

- 1 Check whether the hub toggles are in the proper position for the lock. See the table below and Figure 5.

Hub toggle positions

Function	Hub toggle positions
DV, TV	Inside down (always unlocked) & outside up (lockable)

Note: For LH & LHRB doors, the inside is the back side of the case and the outside is the cover side of the case.

For RH & RHRB doors, the inside is the cover side of the case and the outside is the back side of the case. The cover is mounted to the case with four screws.

- 2 To change the position of a hub toggle, remove the toggle screw, move the toggle into the desired position, and re-tighten the screw.

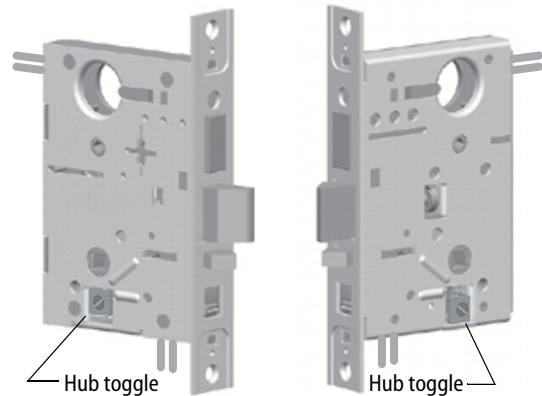


Figure 5 Positioning hub toggles

Installing the trim

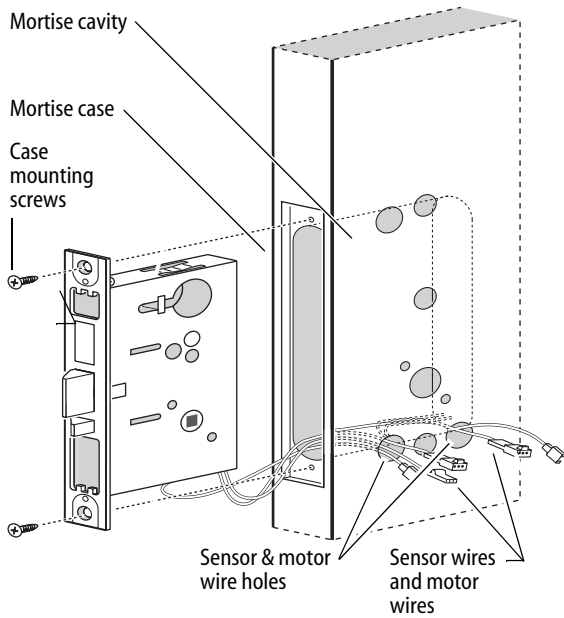


Figure 6 Installing the mortise case (inside of door)

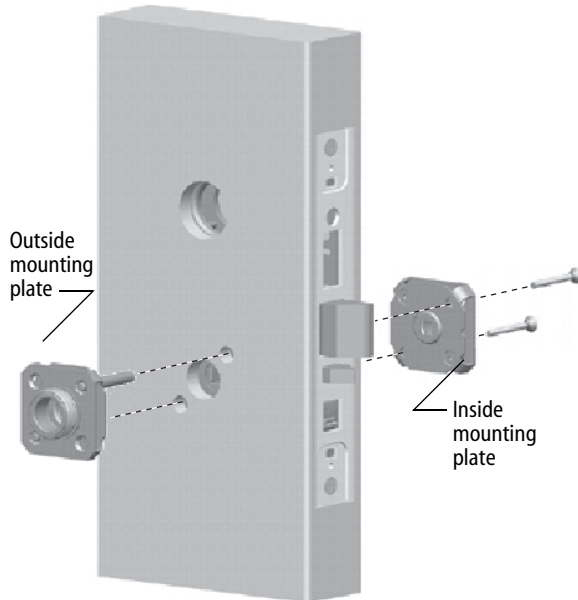


Figure 7 Installing the trim mounting plates

7 Install mortise case

- 1 Drill the holes for the case mounting screws.
- 2 Insert the mortise case into the mortise cavity, while feeding the sensor and motor wires into the mortise cavity and out the two sensor & motor wire holes to the inside of the door as shown in Figure 6.

Note: The armored front of the mortise case self-adjusts to the door level.

- 3 Secure the mortise case with the case mounting screws.

8 Install trim mounting plates

- 1 Insert the outside trim mounting plate through the door and mortise case.
- 2 Position the inside trim mounting plate opposite the outside trim mounting plate and screw them securely in place.

Caution: Do not overtighten the trim mounting plate screws. Overtightening may damage the locking mechanism.

- 3 By temporarily installing a lever, test the lock to make sure that it doesn't bind.

Installing the trim

9 Install concealed cylinder & core

- 1 Use a cylinder wrench to thread the cylinder into the mortise case so that the groove around the cylinder is even with the door surface as shown in Figure 8.
Caution: A malfunction can occur if the cylinder is threaded in too far.
- 2 Secure the cylinder in the mortise case with the cylinder retainer screw.
- 3 Insert the control key into the core and rotate the key 15 degrees to the right.
- 4 With the control key in the core, insert the core into the cylinder.
- 5 Rotate the control key 15 degrees to the left and withdraw the key.
Caution: The control key can be used to remove cores and to access doors. Provide adequate security for the control key.

10 Install trim hole insert and bushing

- 1 Insert the trim hole insert into the upper trim hole on the outside of the door, as shown in Figure 9.
- 2 Insert the bushing into the harness hole on the outside of the door, as shown in Figure 9.

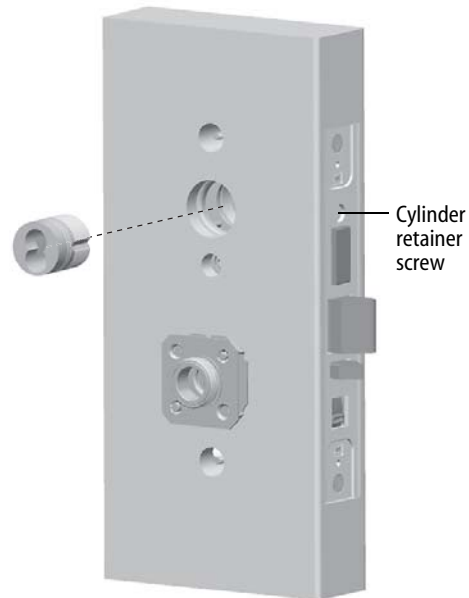


Figure 8 Installing the concealed cylinder

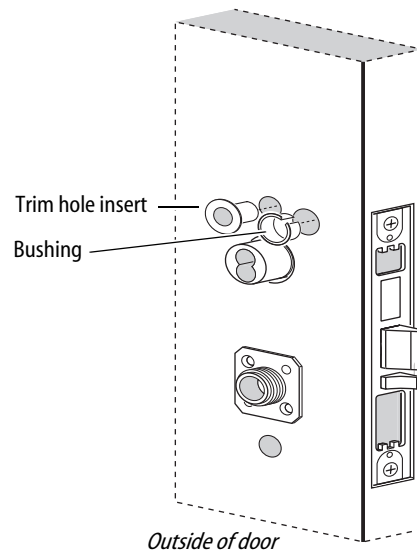


Figure 9 Installing the trim hole insert and bushing

Installing the trim

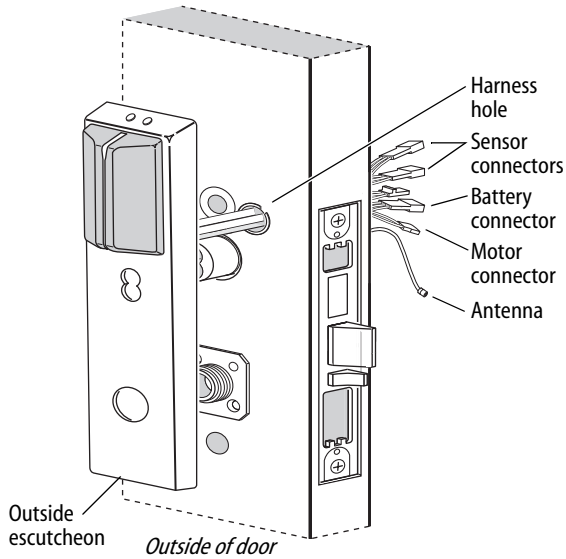


Figure 10 Feeding the wire harness connectors through the harness hole

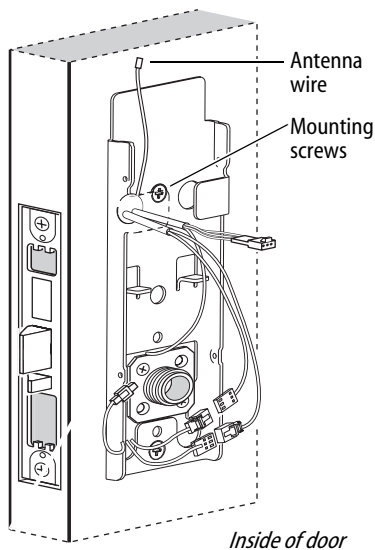


Figure 11 Installing the fire plate

11 Route wire harnesses and position outside escutcheon

- 1 From the outside of the door, feed the motor connector, battery connector, and sensor connectors through the harness hole.
Caution: When routing the connectors, make sure the harnesses are not routed across any sharp edges or over any surface that could damage their sleeving or wire insulation.
- 2 Perform these steps:
 - a Firmly press the outside escutcheon in position on the door. The core should be flush with the outer surface of the escutcheon.
 - b If necessary, adjust the cylinder depth plus or minus one turn so that the core is flush with the outer surface of the escutcheon.
 - c Secure the cylinder in the mortise case with the cylinder clamp screw.
- 3 Rest the outside escutcheon on the door by inserting the trim studs into the trim holes.

12 Install fire plate

- 1 From the inside of the door, feed the wiring through the fire plate harness hole.
- 2 Position the fire plate on the door so that the inside mounting plate fits through the square opening in the fire plate.
- 3 Insert the two counter sunk mounting screws into the holes at the top and bottom of the fire plate.
- 4 Tighten the mounting screws until the fire plate is securely mounted to the door.

Installing the trim

13 Connect wire harnesses

- From the inside of the door, make the following connections:

Wire connection	Colors	No. of wires	No. of pins
Motor	Yellow-gray	2	2
Key override sensor	Gray	2	3
Deadbolt sensor	Blue	2	3
RQE	Orange-brown	2	3
Door sensing	White	2	2
Latchbolt sensing	Purple	2	2

- Insert the plastic wire tie through the mounting clip and secure the wires as shown in Figure 12.

Note: It is physically possible to connect the key override sensor connector from the mortise case to the battery connector from the wire harness. To avoid this mistake, connect only the connectors with matching wire colors.

Caution: When making the motor connection and sensor connections, make sure:

- ◆ there are no loose wire connections where the wires are inserted into the connectors
- ◆ the connectors are firmly mated

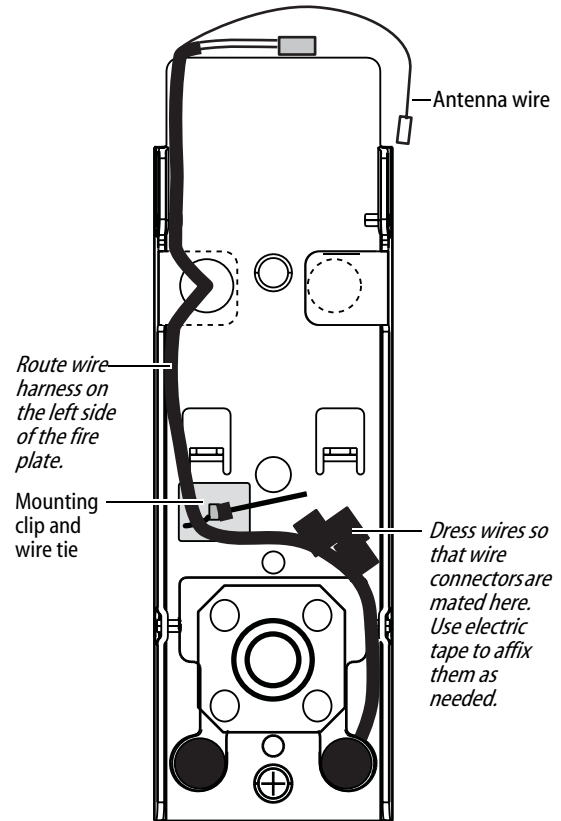


Figure 12 Routing the wires

Installing the trim

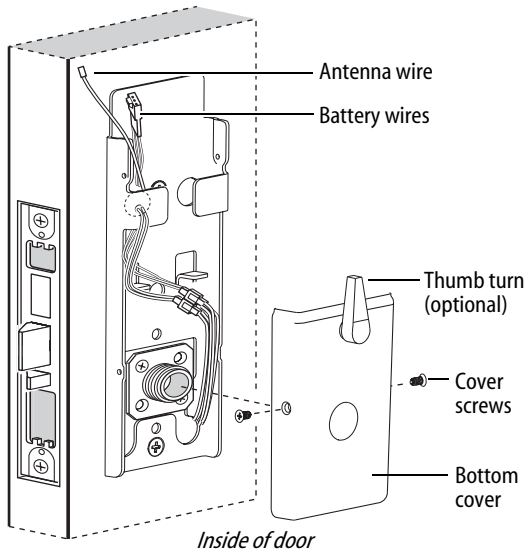


Figure 13 Installing the bottom cover

14 Install bottom cover (inside escutcheon)

- 1 Position the battery wires above the side tabs and against the side of the fire plate, as shown in Figure 13.
- 2 **Optional for Thumb Turn option only:** Make sure that the Thumb Turn is in the upright position, as shown in Figure 13.
- 3 **Making sure that the cover does not pinch the wires,** guide the bottom cover over the chassis onto the fire plate.

Note: Phillips Type 2 and T20 Torx options are available for the cover mounting screws.

Completing the installation

15 Install battery holder

- 1 Position the battery wires against the fire plate side wall, as shown in Figure 14.
- 2 Slide the battery holder behind the fire plate side tabs until it rests on the bent battery holding tabs.

Caution: When routing the battery wires, make sure the wires are not routed across any sharp edges or over any surface that could damage their sleeving or wire insulation.

- 3 Connect the battery pack to the battery connector on the wire harness.

Caution: When connecting the battery pack, make sure:

- ◆ there are no loose wire connections where the wires are inserted into the connectors.
- ◆ the connectors are firmly mated.

16 Install inside and outside levers

- 1 Unscrew the inside spindle one full turn to allow the spindles to turn freely.
 - 2 With the handle pointing toward the door hinges, insert the outside lever and spindles assembly into the lock from the outside of the door.
 - 3 Slide the inside lever onto the inside spindle and secure it with the set screw.
 - 4 Making sure that the core is positioned properly in the outside escutcheon (DV and TV function Locks only) and the escutcheons are aligned properly on the door, tighten the escutcheon mounting screws.
- Note: If a core is not available, you can use the cylinder wrench to help you align the core opening in the escutcheon.
- 5 Turn the levers to check that they operate smoothly.

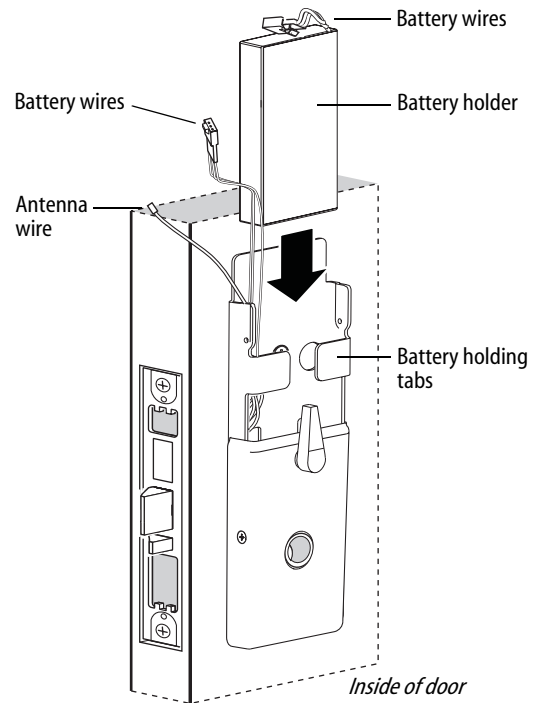


Figure 14 Installing the battery holder

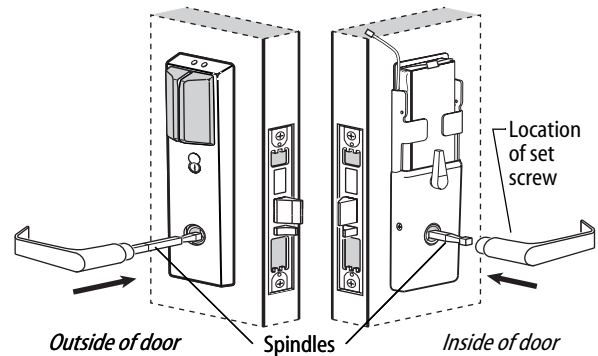


Figure 15 Installing the levers

Completing the installation

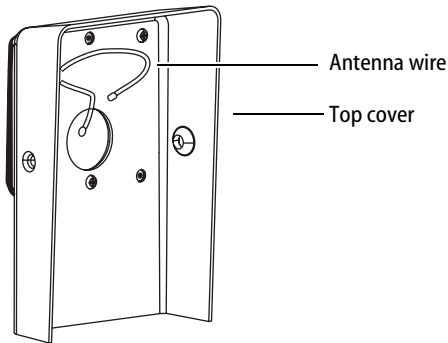


Figure 16 Inside view of top cover

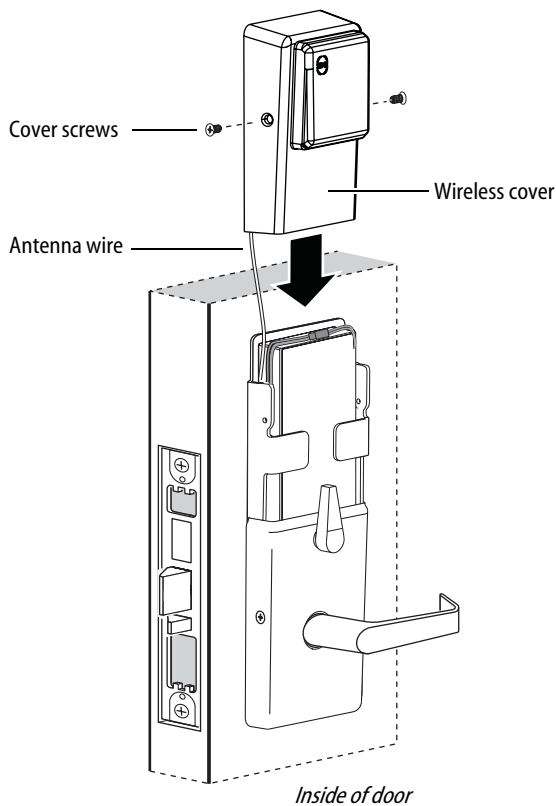


Figure 17 Installing the top cover

17 Install top cover (inside escutcheon)

- 1 Connect the antenna to its mating connector.
- 2 Place the top cover against the door and above the fire plate. Slide the top cover down toward the bottom cover as shown in Figure 17.

Caution: As you slide the top cover onto the fire plate, feed the antenna wire down into the bottom cover. Be sure not to pinch the antenna wire on the bottom cover as you slide the top cover into place.

- 3 Use two cover screws to secure the cover to the side of the fire plate, as shown in Figure 17.

Note: Phillips Type 2 and T20 Torx options are available for the cover mounting screws.

18 Install mortise case faceplate

- 1 Secure the mortise case faceplate to the mortise case with the faceplate mounting screws.
- 2 Check the lock for proper operation.

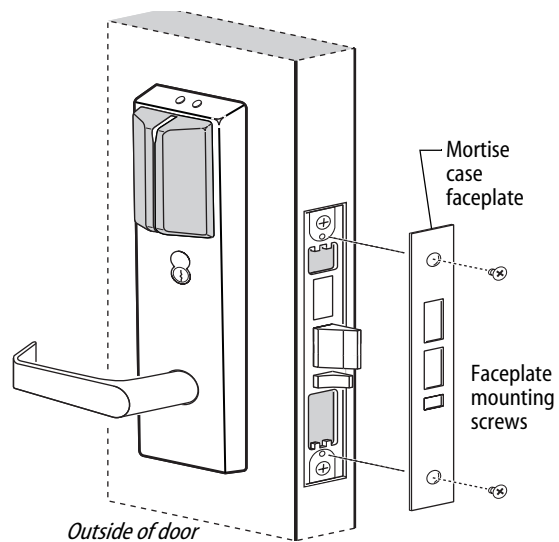


Figure 18 Installing the mortise case faceplate

Completing the installation

19 Install strike box and strike plate

- 1 Insert the strike box into the mortise in the door jamb. Place the strike plate over the strike box and secure the strike with the screws provided.
- 2 Check the position of the auxiliary bolt against the strike plate.

Caution: The auxiliary bolt must make contact with the strike plate. The auxiliary bolt deadlocks the latchbolt and prevents someone from forcing the latch open when the door is closed. If the incorrect strike is installed, a lock-in can occur.

Note: The recommended gap between the door and jamb is 1/8".

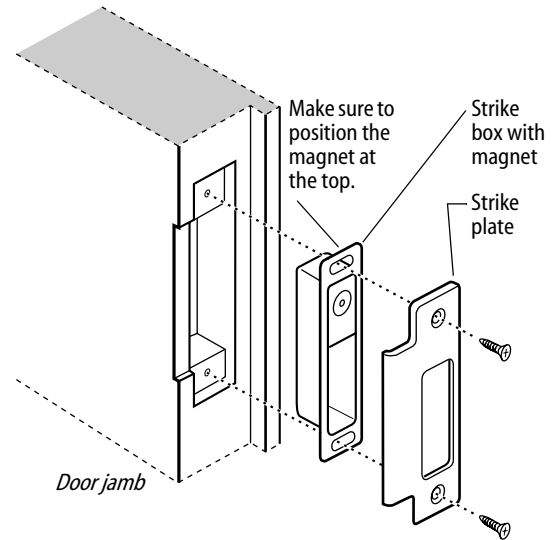


Figure 19a Installing the strike box and strike plate

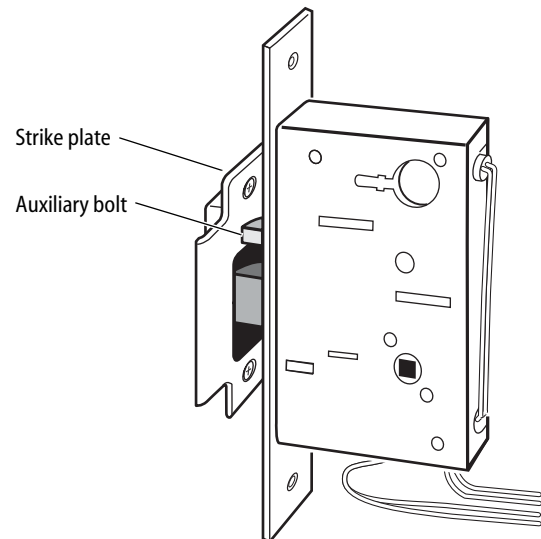


Figure 19b Positioning the strike

Testing the lock

20 Test lock

For 45HQ Locks with keypad

To test the lock for proper operation before the lock is programmed, follow these instructions:

- 1 Press **1234**.
- 2 Press #.

The green light flashes and the locking mechanism unlocks.

- 3 Turn the lever and open the door.

For all other locks:

To test the lock for proper operation before the lock is programmed, use the temporary operator card that came with the lock. This card is for temporary use only. After permanent cards have been programmed for the lock, the temporary card should be deleted.

- 1 Use the temporary operator card to activate the lock.
Note: If the lock has a proximity card reader, it may have already been activated by the presence of an object near the card reader.
- 2 Use the temporary operator card to access the lock.
The green light flashes and the locking mechanism unlocks.
- 3 Turn the lever and open the door.

If the mechanism doesn't unlock, refer to the following table. For additional troubleshooting instructions, see the Service Manual.

LEDs	Sounder	You should
Single red flash	—	Use the card at a moderate speed.
Red flashes	3 short tones	Use the temporary operator card provided with the lock.
Green flashes	—	Check the motor connection.
—	—	Check the battery connection.

For all locks

- 1 Insert and turn the key to unlatch the door.

For all TV function locks

- 2 From the inside of the door, turn the turn knob and make sure that the deadbolt operates properly.



Installation Instructions for Wi-Q™ Technology 9KQ Cylindrical Locks

Planning the installation

Contents

These installation instructions describe how to install your 93KQ Cylindrical Lock. Topics covered include:

Planning the installation..... 1
Preparing the door and door jamb..... 2
Installing the lock..... 7
Completing the installation..... 13

Patents

Products covered by one or more of the following patents:
 5,590,555 5,794,472 5,083,122 6,720,861

Site survey

Use the following survey to record information about the installation site. You need this information to determine how to prepare the door for the lock.

Door information

Door handing and bevel:

- Left hand (LH)
- Left hand, reverse bevel (LHRB)
- Right hand (RH)
- Right hand, reverse bevel (RHRB)

Door thickness: _____ inches (1 3/4" to 2 1/4")

Environment information

Ambient temperature:

- Is within specifications. See the tables below.

This product meets the following Locked Door Outdoor test requirements for ANSI/BHMA 156.25:

Side of door	Range
Outside	-31°F to +151°F (-35°C to +66°C)

This product meets the following Full Indoor test requirements for ANSI/BHMA 156.25:

Side of door	Range
Inside and outside	+32°F to +120°F (0°C to +49°C)

Components checklist

Use the following checklist to make sure that you have the items necessary to install your Electronic Wireless Cylindrical Lock.

Components provided in the box:

- Chassis with outside lever and outside rose liner assembly
- Top and bottom inside covers
- Fire plate
- Battery holder with batteries
- Inside rose liner
- Outside escutcheon assembly
- Inside lever
- Throw member package
- Latch
- Hub washers
- Trim hole insert package
- Plastic bushing package
- Escutcheon screw package
- Door status switch assembly
- Strike package
- Bar code ID sticker (for your records)
- Installation template and instructions

Other components:

- Core and control key
- Temporary operator card

Special tools checklist

Use the following checklist to make sure that you have the special tools necessary to install your Electronic Wireless Cylindrical Lock.

- KD303 Drill jig
- T20 TORX® bit driver
- KD325 Strike plate locating pin
- KD315 Faceplate marking chisel

Preparing the door and door jamb

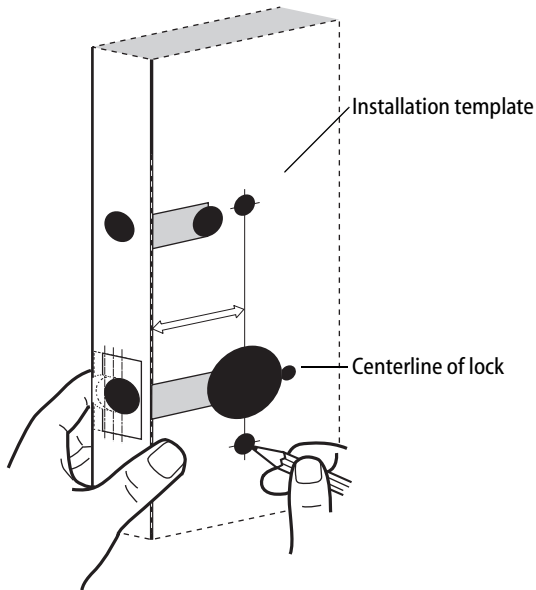


Figure 1 Positioning the template

1 Position template and mark drill points

Note: If the door is a fabricated hollow metal door, determine whether it is properly reinforced to support the lock. If door reinforcement is not adequate, consult the door manufacturer for information on proper reinforcement. For dimensions for preparing metal doors, see the Q01 and G02 Templates—Installation Specifications for 93KQ Cylindrical Locks.

Note: If the door is a LH or RH door, mark the inside of the door. If the door is a LHRB or RHRB door, mark the outside of the door.

For uncut doors and frames

- 1 Measure and mark the horizontal centerline of the lever (the centerline for the chassis hole) on the door and door jamb. Mark the vertical centerline of the door edge.

Note: The recommended height from the floor to the centerline of the crossbore or chassis hole is 38".

- 2 Fold the *Q05 Template—Installation Template for 93KQ Cylindrical Locks* on the dashed line and carefully place it in position on the high side of the door bevel.

Note: For steel frame applications, align the template's horizontal centerline for the latch with the horizontal centerline of the frame's strike preparation.

- 3 Tape the template to the door.
- 4 Center punch the necessary drill points. Refer to the instructions on the template.

For doors with standard cylindrical preparation

- 1 Fold the *Q05 Template—Installation Template for 93KQ Cylindrical Locks* on the dashed line. Looking through the hole from the opposite side of the door, align the template so that you see the template outline of the 2 1/8" diameter chassis hole.
- 2 Tape the template to the door.
- 3 Center punch the necessary drill points. Refer to the instructions on the template.

Preparing the door and door jamb

2 Drill holes and mortise for latch face

- 1 Drill the holes listed below:
 - upper and lower trim holes
 - ◆ 5/8" diameter
 - ◆ through door
 - harness hole
 - ◆ 3/4" diameter
 - ◆ through door
 - motor wire hole
 - ◆ 7/16" diameter
 - ◆ through door
 - ◆ before drilling chassis hole
 - chassis hole
 - ◆ 2 1/8" diameter
 - ◆ through door
 - ◆ after drilling motor wire hole
 - latch hole
 - ◆ 1" diameter
 - ◆ meets chassis hole
 - door status switch hole
 - ◆ 1" diameter
 - ◆ meets harness hole
 - anti-rotational hole, see "Use drill jig to drill through-bolt holes" on page 5.
 - ◆ 5/16" diameter
 - ◆ through door

Note 1: To locate the center of a hole on the opposite side of the door, drill a pilot hole completely through the door.

Note 2: For holes through the door, it is best to drill halfway from each side of the door to prevent the door from splintering.

- 2 Mortise the edge of the door to fit the latch face.
- 3 Drill the holes for the screws used to install the latch.

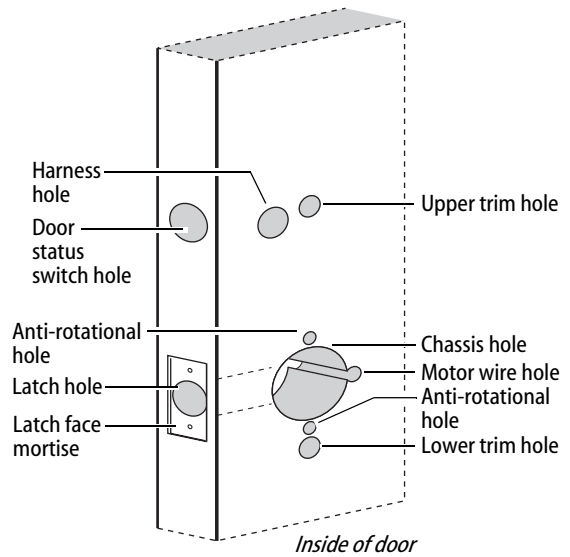


Figure 2 Drilling holes and mortising for the latch face

Preparing the door and door jamb

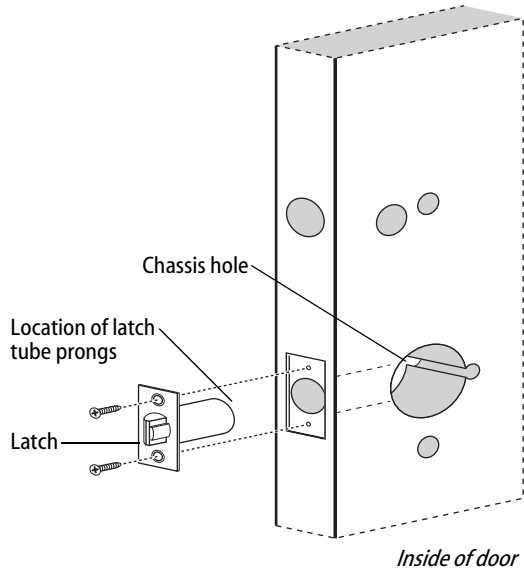


Figure 3 Installing the latch in the door

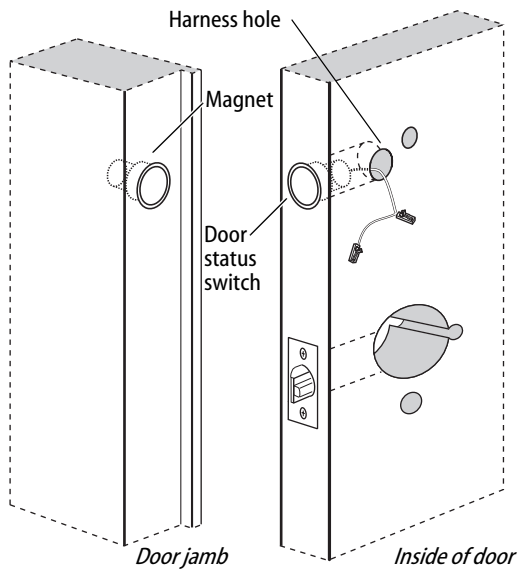


Figure 4 Installing the door status switch and magnet

3 Install latch

- 1 Install the latch in the door.
Note: The latch tube prongs should be centered and should project into the chassis hole.
- 2 Check that the door swings freely.

4 Install door status switch and magnet

- 1 On the door jamb, mark the drill point for the 1" diameter magnet hole. This hole should be directly opposite the door status switch reader harness hole when the door is closed.
- 2 Drill a 1" diameter hole for the magnet, at least 1 3/4" deep.
- 3 Insert the magnet in the hole.
- 4 Insert the door status switch assembly into the door status switch hole in the edge of the door, feeding the connectors out the harness hole to the inside of the door, as shown in Figure 4.

Preparing the door and door jamb

5 Use drill jig to drill through-bolt holes

- 1 Press the drill jig (KD303) onto the door, engaging it with the latch tube prongs (see the close-up in Figure 5). Make sure the front edge of the jig is parallel with the door edge.
- 2 Drill the through-bolt holes (5/16" diameter) halfway into the door.
- 3 Turn over the drill jig and repeat steps 1 and 2 from the opposite side of the door.

Note: Replace the drill jig after 10 door preparations.

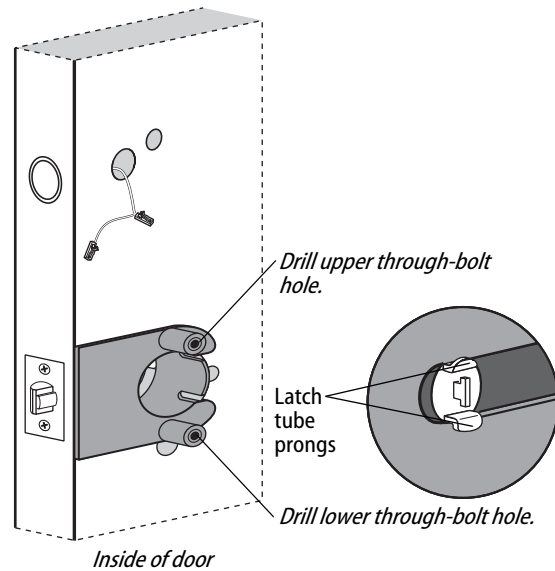


Figure 5 Installing the drill jig and drilling the through-bolt holes

Preparing the door and door jamb

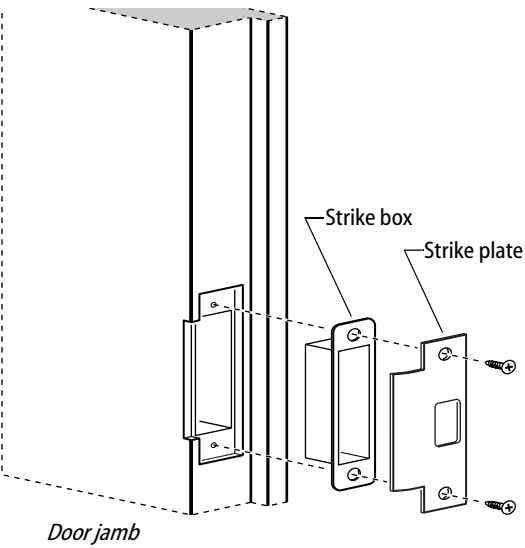


Figure 6a Installing the strike box and strike plate

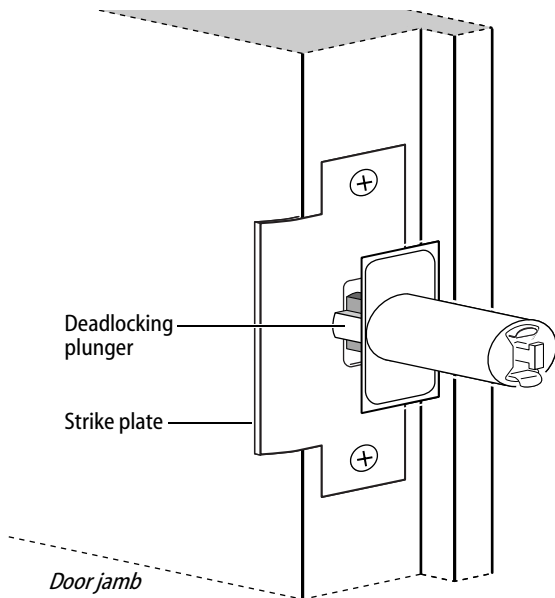


Figure 6b Aligning the deadlocking plunger with the strike plate

6 Install strike box and strike plate

- 1 In alignment with the center of the latchbolt, mortise the door jamb to fit the strike box and strike plate.
- 2 Drill the holes for the screws used to install the strike box and strike plate.
- 3 Insert the strike box and secure the strike with the two screws provided.
- 4 Check the position of the deadlocking plunger against the strike plate.

Caution: The deadlocking plunger of the latchbolt must make contact with the strike plate, as shown in Figure 6b. The plunger deadlocks the latchbolt and helps prevent someone from forcing the latch open when the door is closed.

Installing the lock

7 Remove outside lever or knob

- 1 Insert the control key into the core and rotate the key 15 degrees to the right.
- 2 Insert a flat blade screwdriver into the figure-8 core hole and into the lever.
- 3 Press the screwdriver blade in the direction of the arrow in Figure 7.

Note: You cannot remove the lever if the screwdriver blade is inserted too far past the keeper.

- 4 Slide the lever or knob off of the sleeve.

Caution: Be careful that you do not disconnect the lever keeper spring.

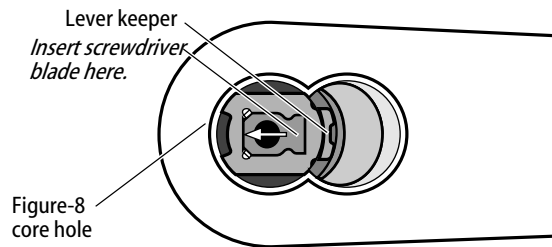


Figure 7 Removing the outside lever

8 Adjust for door thickness

- 1 Determine the door's thickness.
- 2 Pull the rose locking pin and rotate the outside rose liner until the proper groove on the through-bolt stud lines up with the hub face.

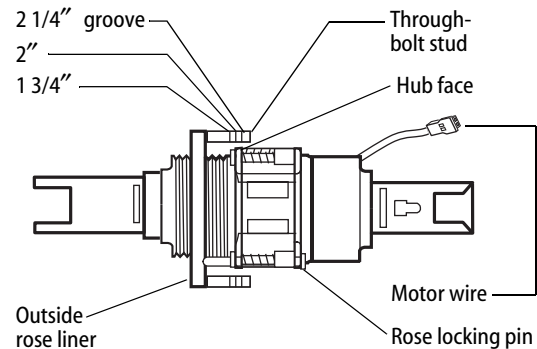


Figure 8 Adjusting the rose liner for the door thickness

Installing the lock

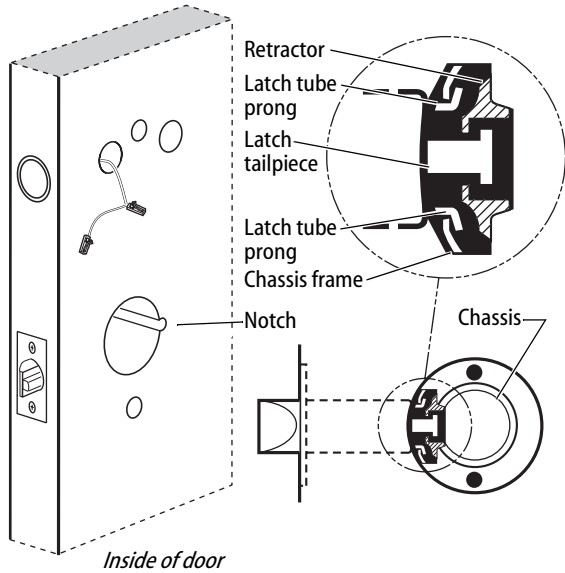


Figure 9 Installing the lock chassis and engaging the retractor in the latch

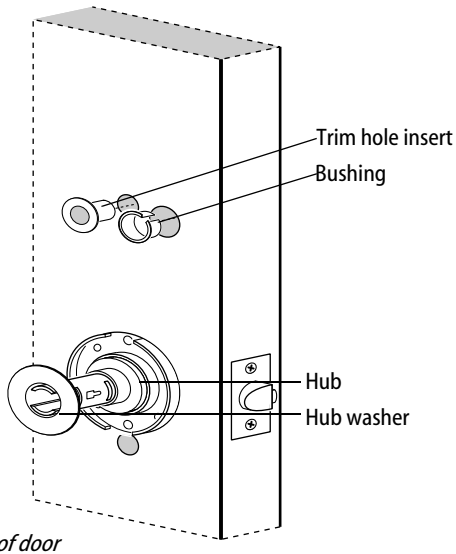


Figure 10 Installing the outside trim hole insert, bushing, and hub washer

9 Install lock chassis and engage retractor in latch

From the outside of the door, insert the lock chassis into the 2 1/8" chassis hole, routing the motor wire through the notch.

Caution: Make sure that the latch tube prongs engage the chassis frame and that the latch tailpiece engages the retractor.

10 Install the trim hole insert, bushing, and hub washer on outside of door

- 1 On the outside of the door, insert the trim hole insert into the upper trim hole, as shown in Figure 10.
- 2 Insert the bushing into the harness hole.
- 3 Slide a hub washer over the chassis sleeve so it rests on the hub.

Installing the lock

11 Install fire plate

Position the fire plate on the inside of the door so that the chassis fits through the square opening in the fire plate, as shown in Figure 11.

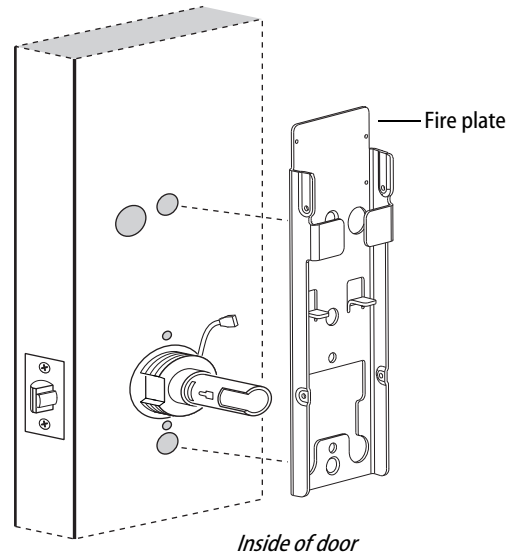


Figure 11 Installing the fire plate

12 Install through-bolts and inside rose liner

- 1 Place the inside rose liner on the chassis, aligning the holes in the rose liner with the holes prepared in the door, as shown in Figure 12.

Caution: Make sure that the motor wire is pulled toward the top of the fire plate and avoid routing it over any surface that could damage the sleeving or wire insulation.

- 2 Install the through-bolts through the rose liner and door in the top and bottom holes.

Caution: Make sure that there is clearance for the motor wire between the rose liner and the door.

- 3 Tighten the rose liner to the door and fire plate with the through-bolts.
- 4 Install the hub washer over the rose liner.

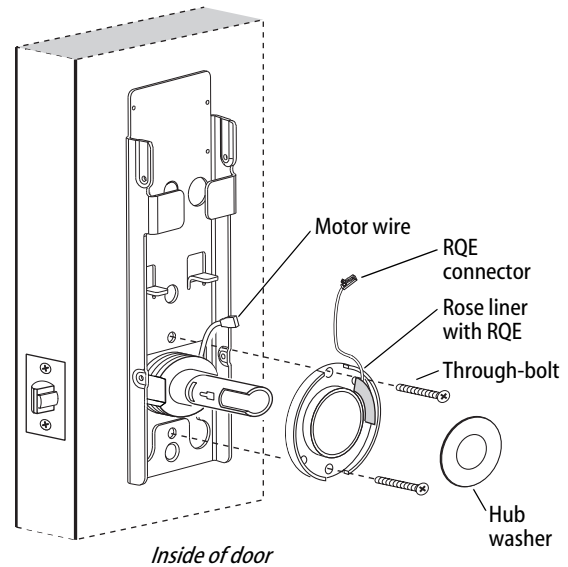


Figure 12 Installing the through-bolts and rose liner (9K shown)

Installing the lock

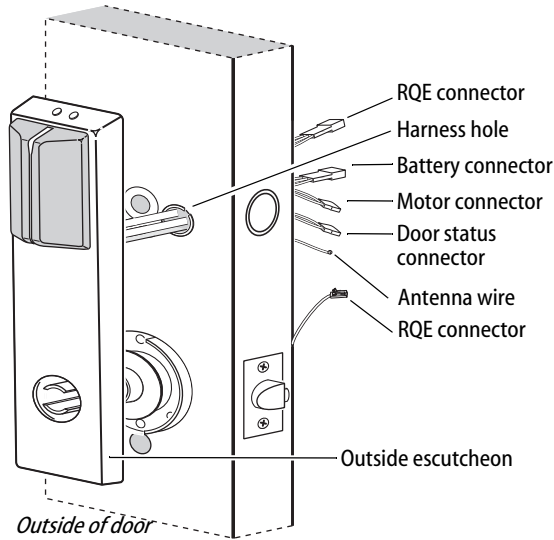


Figure 13 Feeding the wire harness connectors through the harness hole

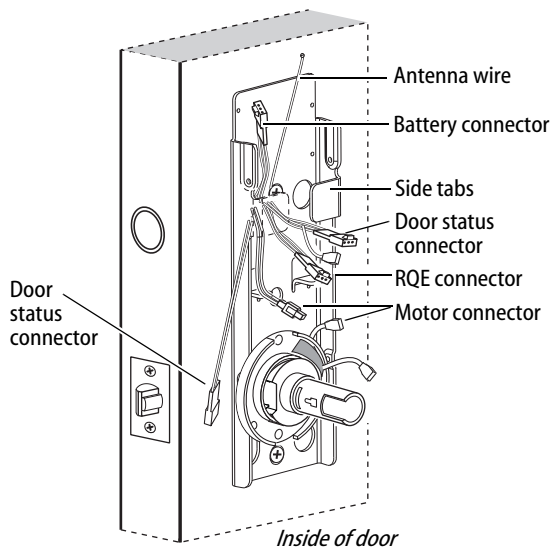


Figure 14 Routing the wires on the fire plate

13 Route wire harness and position outside escutcheon

- 1 From the outside of the door, feed the motor connector, battery connector, door status switch, and antenna wire, through the harness hole.

Caution: When routing the connectors, make sure the wire harness is not routed across any sharp edges or over any surface that could damage its sleeving or wire insulation.

- 2 On the inside of the door, insert the two countersunk mounting screws into the holes at the top and bottom of the fire plate.
- 3 Tighten the mounting screws until the fire plate is securely mounted to the door.

14 Route wires on fire plate

- 1 Route the motor connector wire, RQE connector, and door status connector underneath the side tabs as shown in Figure 14.
- 2 Route the battery connector and antenna wire above the side tabs. See Figure 15 for additional detail.

Installing the lock

15 Connect motor wires, RQE, and door status switch

- From the inside of the door, make the following connections:

- ◆ Motor
- ◆ RQE
- ◆ Door status switch

Wire connection	Color	No. of wires	No. of pins
Motor	Yellow-Gray	2	2
RQE	Orange-Brown	2	3
Door status	White	2	2

- Insert the plastic wire tie through the mounting clip and secure the wires as shown in Figure 15. See Figure 15 for additional detail.

Caution: When making the motor connection, make sure:

- ◆ there are no loose wire connections where the wires are inserted into the connectors
- ◆ the connectors are firmly mated.

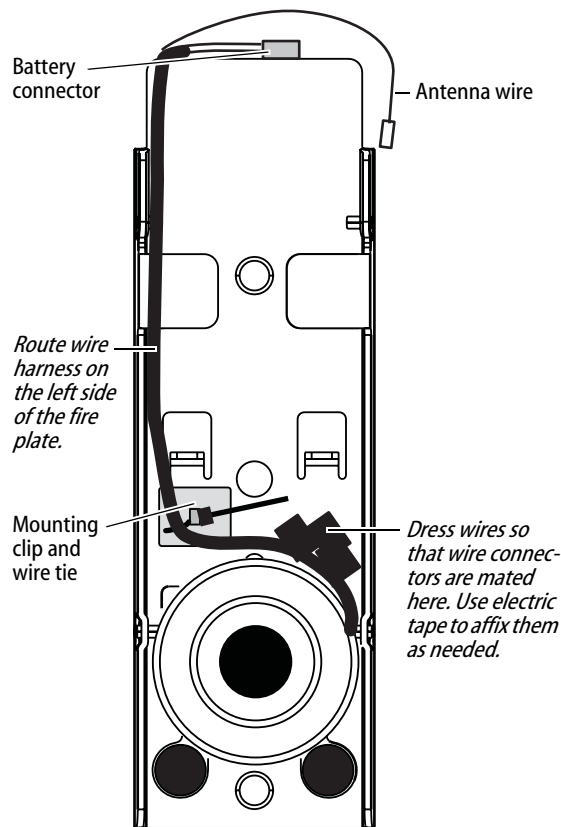


Figure 15 Routing the wires (view of the inside escutcheon)

Installing the lock

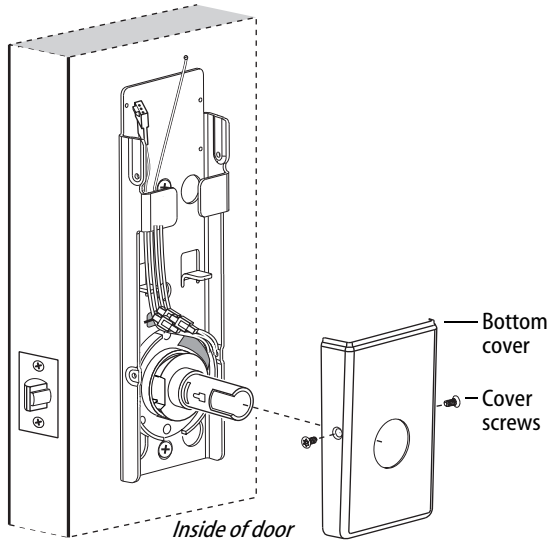


Figure 16 Installing the bottom cover

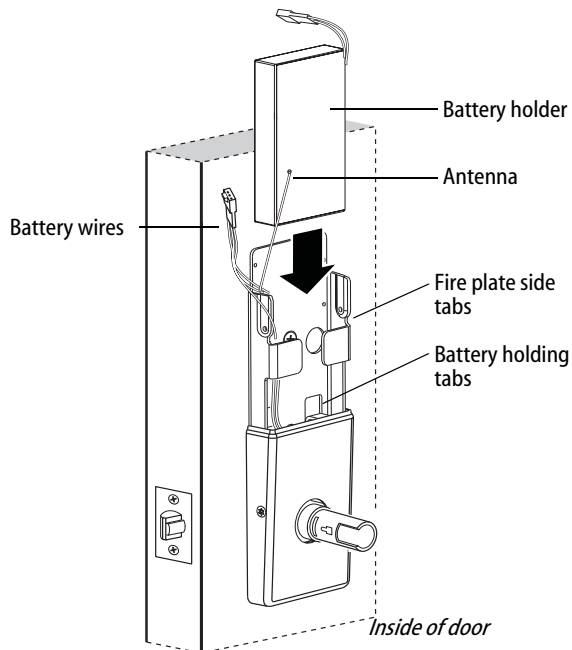


Figure 17 Installing the battery holder, eight-cell

16 Install bottom cover (inside escutcheon)

- 1 **Making sure that the cover does not pinch the wires**, guide the bottom cover over the chassis onto the fire plate.
- 2 Use two cover screws to secure the cover to the side of the fire plate, as shown in Figure 16.

Note: Phillips Type 2 and T20 Torx options are available for the cover mounting screws.

Caution: Dress all wires away from possible pinch points before putting the bottom cover in place.

17 Install battery holder

- 1 Position the battery wires against the fire plate side wall, as shown in Figure 17.
- 2 Slide the battery holder behind the fire plate side tabs until it rests on the bent battery holding tabs.

Caution: When routing the battery wires, make sure the wires are not routed across any sharp edges or over any surface that could damage their sleeving or wire insulation.

- 3 Connect the battery holder to the battery connector on the wire harness.

Caution: When connecting the battery holder, make sure:

- ◆ there are no loose wire connections where the wires are inserted into the connectors.
- ◆ the connectors are firmly mated.

Completing the installation

18 Install inside and outside levers

Note: To use a core and throw member from a manufacturer other than BEST with a Electronic Stand-alone Lock, see the Installation Instructions for 9K Non-interchangeable Cores & Throw Members (T56093) and skip task 19.

- With the handle pointing toward the door hinges, position a lever on the outside sleeve and push firmly on the lever until it is seated. Repeat, placing the other lever on the inside sleeve.

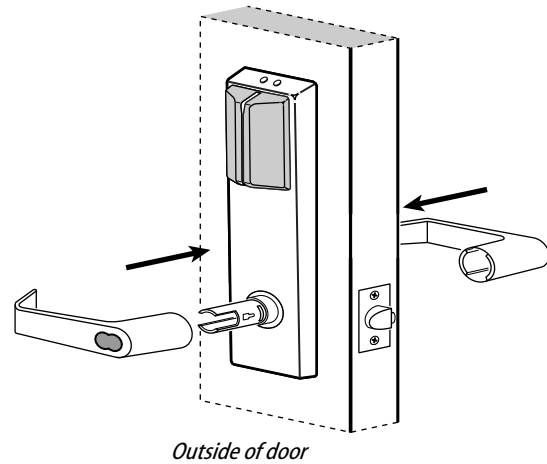


Figure 18 Installing the levers

19 Install core and throw member

- 1 Install the blocking plate onto the throw member.

Caution: You must use the blocking plate to prevent unauthorized access.

For 6-pin core users only: Install the plastic spacer (not shown, supplied with permanent cores) instead of the blocking plate, on the throw member.

- 2 Insert the control key into the core and rotate the key 15 degrees to the right.
- 3 Insert the throw member into the core.
- 4 Insert the core and throw member into the lever with the control key.
- 5 Rotate the control key 15 degrees to the left and withdraw the key.

Caution: The control key can be used to remove cores and to access doors. Provide adequate security for the control key.

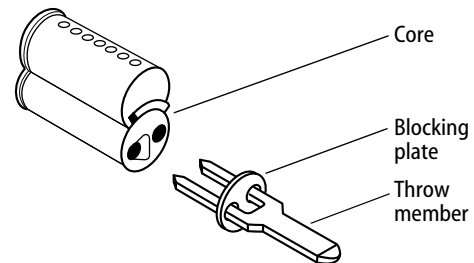


Figure 19a Installing the blocking plate and throw member

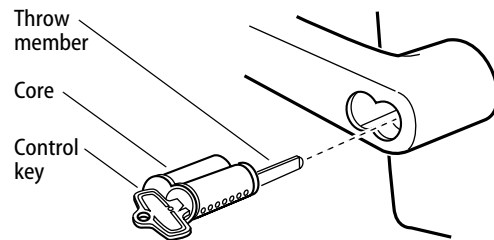


Figure 19b Installing the core

Completing the installation

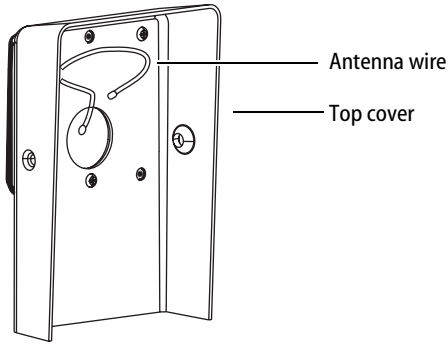


Figure 20a Inside view of top cover

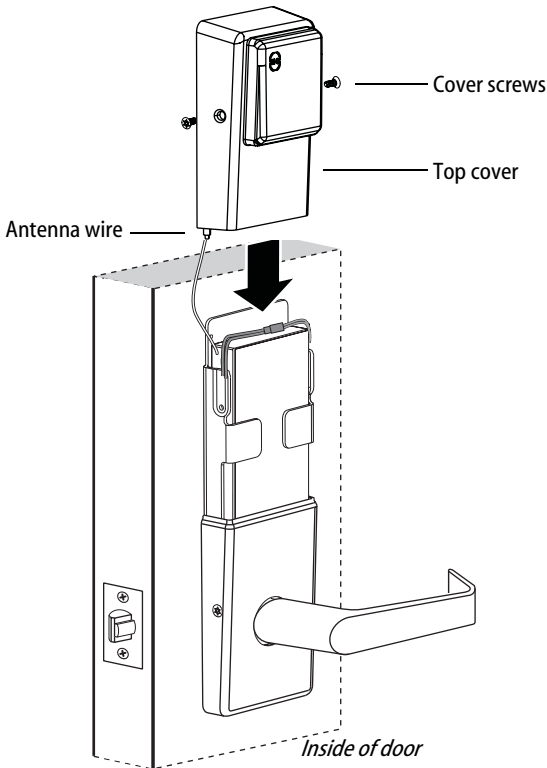


Figure 20b Installing the top cover

20 Install top cover (inside escutcheon)

- 1 Connect the antenna to its mating connector.
- 2 Place the top cover against the door and above the fire plate. Slide the top cover down toward the bottom cover as shown in Figure 20b.

Caution: As you slide the top cover onto the fire plate, feed the antenna wire down into the bottom cover. Be sure not to pinch the antenna wire on the bottom cover as you slide the top cover into place.

- 3 Use two cover screws to secure the cover to the side of the fire plate, as shown in Figure 20b.

Note: Phillips Type 2 and T20 Torx options are available for the cover mounting screws.

Completing the installation

21 Test lock

For 9KQ Locks with keypad:

To test the lock for proper operation before the lock is programmed, follow these instructions:

- 1 Press **1234**.
- 2 Press #.
The green light flashes and the locking mechanism unlocks.
- 3 Turn the lever and open the door.

For all other locks:

To test the lock for proper operation before the lock is programmed, use the temporary operator card that came with the lock. This card is for temporary use only. After permanent cards have been programmed for the lock, the temporary card should be deleted.

- 1 Use the temporary operator card to activate the lock.
Note: If the lock has a proximity card reader, it may have already been activated by the presence of an object near the card reader.
- 2 Use the temporary operator card to access the lock.
- 3 The green light flashes and the locking mechanism unlocks.
- 4 Turn the lever or knob and open the door.
- 5 With the door closed, insert and turn the key to unlatch the door.

If the mechanism doesn't unlock, refer to the following table. For additional troubleshooting instructions, see the Service Manual.

LEDs	Sounder	You should
Single red flash	—	Use the card at a moderate speed.
Red flashes	3 short tones	Use the temporary operator card provided with the lock.
Green flashes	—	Check the motor connection.
—	—	Check the battery connection.

© 2008–09 Stanley Security Solutions, Inc
T82619/Rev B 3109013 ER-7991-12 Oct 2009

BEST ACCESS SYSTEMS
a Product Group of Stanley Security Solutions, Inc.



Installation Instructions for Wi-Q Technology™ EXQ Exit Hardware Trim



Introduction

These installation instructions describe how to install your BEST® Wi-Q Technology™ EXQ Series Exit Hardware Trim. Electronic Stand-Alone Exit Hardware Trim is available for use with the following types of wide stile exit devices: Precision® brand manufactured by Stanley (2000 Series), Von Duprin® (98/99 Series), and Sargent® (8800 Series).

Not all features are available for all exit device configurations. The table below details what sensors are available for which exit device configurations:

Device	DS ^a	TS ^b	LS ^c
Precision			
Rim (2100)	■	■	■
Surface Vertical (2200)	■	■	■
Mortise (2300)	■		
Wood Door Concealed (2700)	■	■	■
Concealed Vertical (2800)	■	■	■
Von Duprin^d			
Rim	■	■	
Surface Vertical	■		
Concealed Vertical	■		
Sargent^e			
Rim ^f	■		

- a. Door position sensing
- b. Request-to-exit (PHI touchbar monitoring)
- c. Latch sensing
- d. Von Duprin is a registered trademark of Von Duprin, Inc.
- e. Sargent is a registered trademark of Sargent Mfg. Co.
- f. Latch must have lift-type trim input (8863)

Contents

These instructions cover the following topics:

<i>Planning the installation</i>	1
<i>Preparing the door</i>	3
<i>Installing the exit hardware and trim</i>	7
<i>Completing the installation</i>	16

Site survey

Use the following survey to record information about the installation site and hardware application.

Exit hardware type:

- rim
- surface vertical rod
- mortise
- concealed vertical rod

Door handing and bevel:

- Left-hand reverse bevel (LHRB)
- Right-hand reverse bevel (RHRB)

Door type:

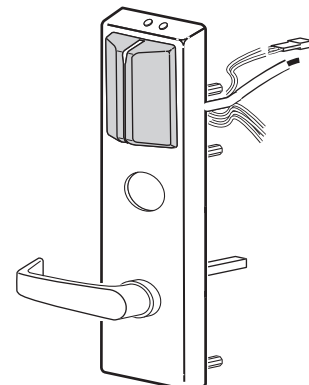
- Wood
- Metal

Door thickness: _____ inches (1-3/4" to 2-1/4")

Components checklist

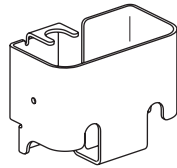
Use the following checklist to make sure that you have the items necessary to install your EXQ Exit Hardware Trim.

- Escutcheon and lever assembly

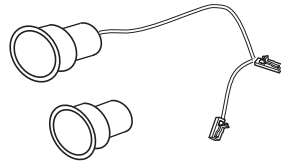


Installation Instructions for Wi-Q Technology™ EXQ Exit Hardware Trim

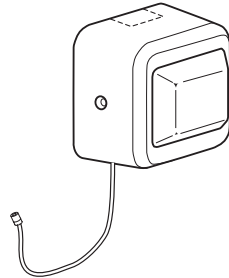
- Battery bracket



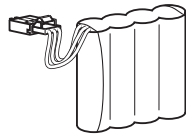
- Door position switch with magnet



- Battery cover with antenna



- Battery pack



- Battery cover screw package

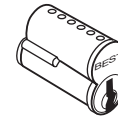
- Bar code ID sticker (for your records)

- Cable ties, butt-splices, and tape

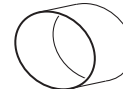
- Installation templates and instructions



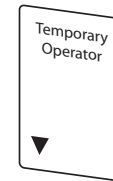
- 7-pin core (only included if ordered with trim)



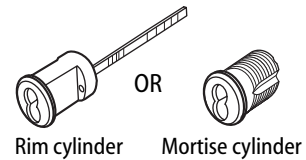
- Cylinder mounting sleeve (for Von Duprin functions only)



- Temporary operator card



- Key cylinder and keys (only included if ordered with trim).



Tools required

Use the following checklist to make sure that you have the tools necessary to install your EXQ Exit Hardware Trim.

- Electric drill (preferably corded)
- Jigsaw
- Wire snips
- Wire strippers
- Phillips screwdriver
- Measuring tape
- Straight edge
- Square
- Pencil/marker
- 7/16" dia drill bit
- 7/8" dia drill bit
- 1" dia hole saw

For Precision® Hardware and Sargent installations

- 1-3/8" dia hole saw (EV function only)
- 1-1/8" dia hole saw

For Von Duprin® installations

- 2" dia hole saw
- 3/4" dia hole saw

For BEST® cylinders

- BEST ED211 cylinder wrench

For surface vertical exit devices

- Razor blade

Preparing the door

1 Mark centerlines

Note 1: If retrofitting to an existing exit hardware installation, skip this task. Instead, remove the exit hardware from the door.

Note 2: If the door is a fabricated hollow metal door, determine whether it is properly reinforced to support the lock. If door reinforcement is not adequate, consult the door manufacturer for information on proper reinforcement.

- 1 Prepare the push side of the door according to the exit device manufacturer's installation instructions.

Note: The tape-on template supplied with the EXQ trim will supersede the exit device template in the trim area.

- 2 Transfer horizontal and vertical centerlines to the outside of the door face.

Note: When measuring from the edge of the door, take into account the door bevel (if any).

2 Determine required door prep

- 1 Determine which template is applicable (Q08 for Precision and Sargent, Q07 for Von Duprin) and discard the other one.
- 2 Based on the kind of exit device you have, use the table below to locate the appropriate door preparation.
- 3 On the template, circle the holes needed for your installation and cross out those that are not applicable.

	Device	Figure
Precision	Rim (2100)	Figure 2
	Surface Vertical (2200)	Figure 3
	Mortise (2300)	Figure 4
	Wood Door Concealed (2700)	Figure 3
	Concealed Vertical (2800)	Figure 3
Von Duprin	Rim (with RQE)	Figure 5
	Rim (without RQE)	Figure 7
	Surface Vertical	Figure 7
	Concealed Vertical	Figure 7
	Sargent Rim	Figure 6

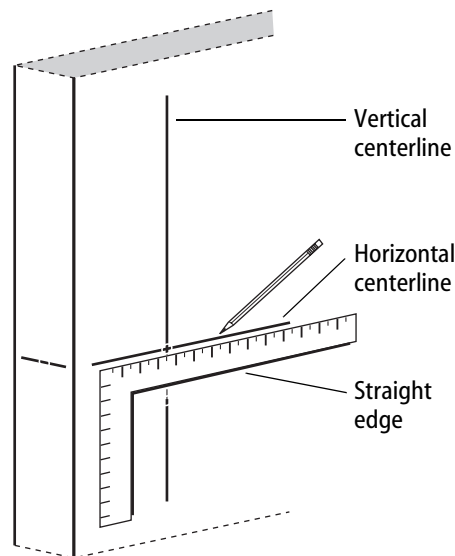


Figure 1 Marking centerlines on outside door face

Note: Follow the Precision 2300 door preparation for Sargent, ignoring any steps directly pertaining to the mortise lock or key cylinder.

Preparing the door

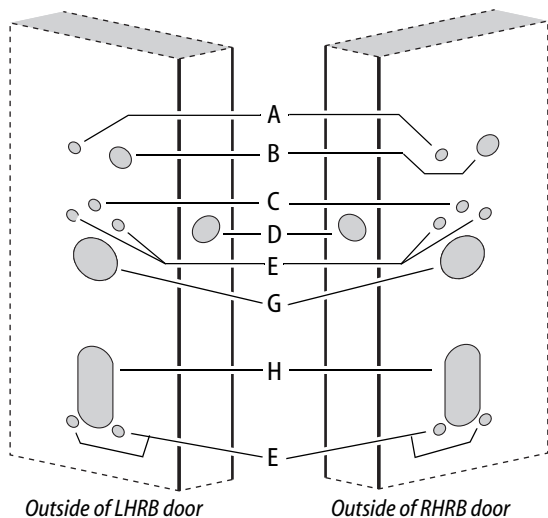


Figure 2 Outside door prep for use with Precision exit hardware, 2100 Series

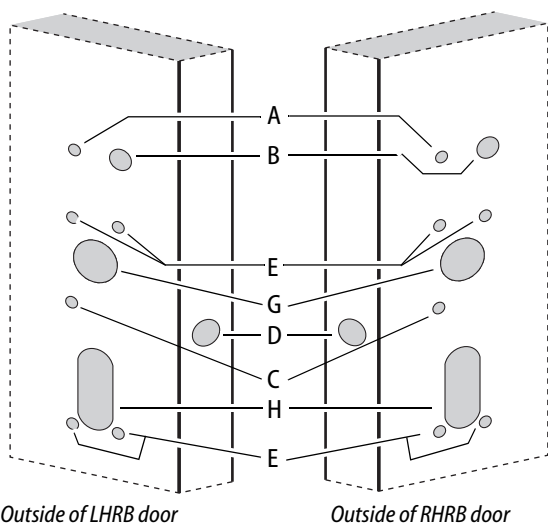
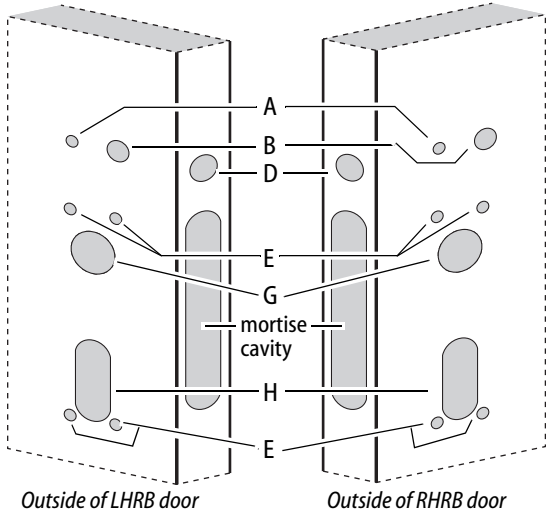


Figure 3 Outside door prep for use with Precision exit hardware, 2200, 2700, and 2800 Series

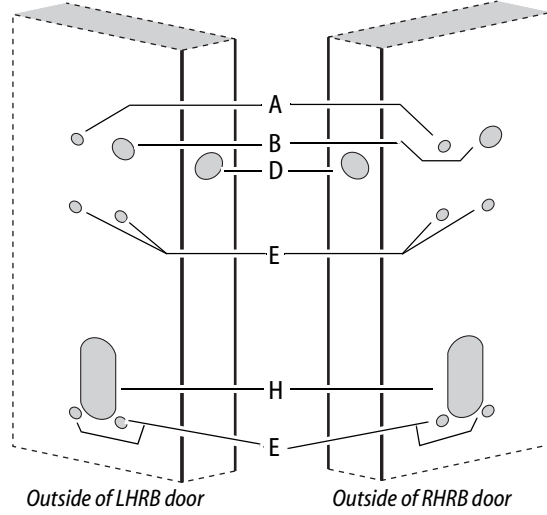
Hole	Description	Instructions
A	Battery bracket hole	7/16" diameter, thru door
B	Battery bracket/harness hole	7/8" diameter, thru door
C	Sensor harness routing hole	7/16" diameter, thru door
D	Door sensing switch mounting hole and channel	1" diameter hole, drilled 1-3/4" deep, then 7/16" channel to intersect door sensing wire routing hole.
E	Escutcheon mounting holes	7/16" diameter, thru door
F	Door sensing switch magnet hole (in door frame or opposing door leaf)	1" diameter hole, drilled 1-3/4" deep (NOT SHOWN).
G	Cylinder hole	Precision: 1-3/8" diameter, thru door (for 2300, only into mortise cavity) Von Duprin: 2" diameter thru door
H	Lift finger slot	Precision/Sargent: 1-1/8" diameter slot, thru door Von Duprin: 3/4" diameter slot, thru door

Preparing the door



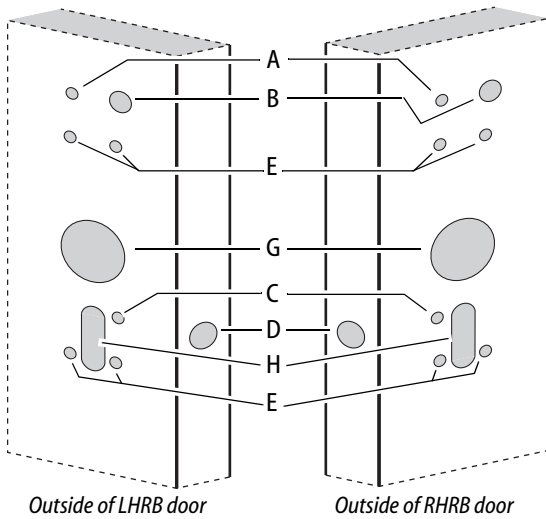
Outside of LHRB door Outside of RHRB door

Figure 4 Outside door prep for use with Precision exit hardware, 2300 Series



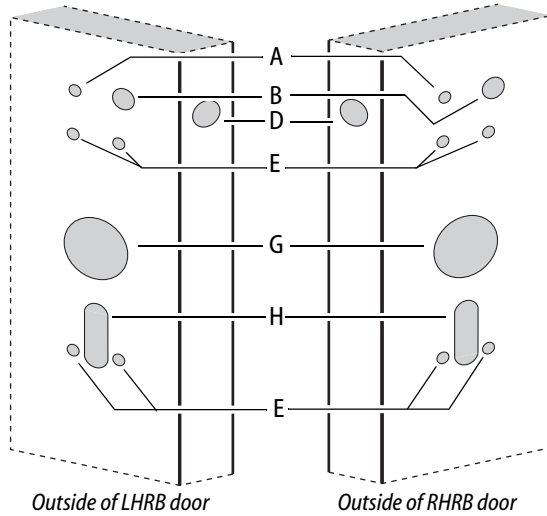
Outside of LHRB door Outside of RHRB door

Figure 6 Outside door prep for use with Sargent 8863 exit hardware



Outside of LHRB door Outside of RHRB door

Figure 5 Outside door prep for use with Von Duprin exit hardware, Rim **with** RQE only



Outside of LHRB door Outside of RHRB door

Figure 7 Outside door prep for use with Von Duprin exit hardware. Use for all Von Duprin vertical rods and rim **without** RQE

Preparing the door

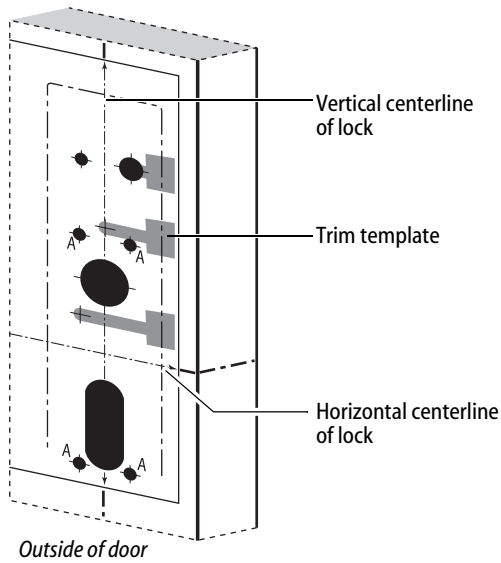


Figure 8 Positioning the trim template, Q08 LHRB shown

3 Position trim template and mark drill points

1 For new installations

- Cut the applicable template along the dashed lines.
- Align the horizontal and vertical centerlines marked on the template with the centerlines marked on the **OUTSIDE** of the door (from step 1). See Figure 8.

For retrofit installations

Align the mounting holes for the escutcheon and lock stile case shown on the template with the mounting holes already present in the door.

Note: The outside escutcheon is mounted using the four lock stile case mounting holes ('A' holes); these holes must be 7/16" in diameter and drilled completely through the door.

- Tape the template to the **OUTSIDE** of the door in the properly aligned position.
- Center punch the necessary drill points. Refer to the instructions on the template and the figures of the previous step.

4 Mortise for mortise case and faceplate (mortise exit devices only)

Note: If retrofitting the EXQ Exit Hardware Trim to an existing exit hardware installation, skip this task.

Mortise the edge of the door for the mortise case and faceplate; follow the instructions provided by the exit hardware manufacturer.

Installing the exit hardware and trim

5 Drill holes

Caution: Double-check for the correct lock function, hand, and bevel before drilling.

- 1 Drill the trim holes that are required for your application; follow the instructions on the trim template and refer to the figures in step 2.

Note 1: To locate the center of a hole on the opposite side of the door, drill a small pilot hole through the door.

Note 2: For holes through a wood door, drill halfway from each side of the door to keep the door from splintering.

6 Install mortise case (mortise exit devices only)

Install the mortise case in the door; follow the instructions provided by the exit hardware manufacturer.

7 Install door sensing switch

- 1 Clip off the purple wires and connector and remove.
- 2 Clip off the connector from the white door sensing harness (with black sleeving) and leave as much wire as possible. See Figure 9. These wires will be butt-spliced to the sensing harness from the trim. See "Route sensor wires" on page 14.
- 3 Route the door sensing switch wires through the channel and out through the wire routing hole to the exit device side. See Figure 9.
- 4 Press-fit the door sensing switch into the 1" diameter hole in the door.
- 5 Mark and drill 1" diameter hole in the frame, aligned with the door position switch (for the magnet).

Note: For double-door applications, this hole will be into the edge of the opposing door leaf (not the frame).
- 6 Press-fit the door sensing magnet into the 1" diameter hole in the frame.

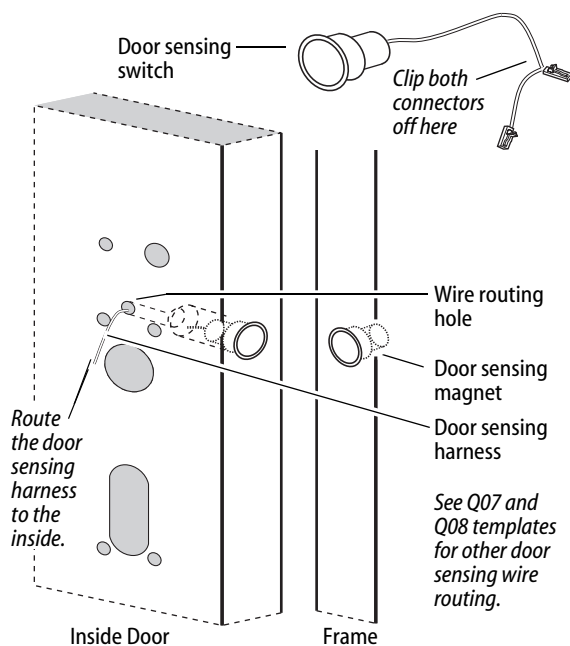


Figure 9 Installing the door sensing switch and magnet, Precision 2100 shown

Installing the exit hardware and trim

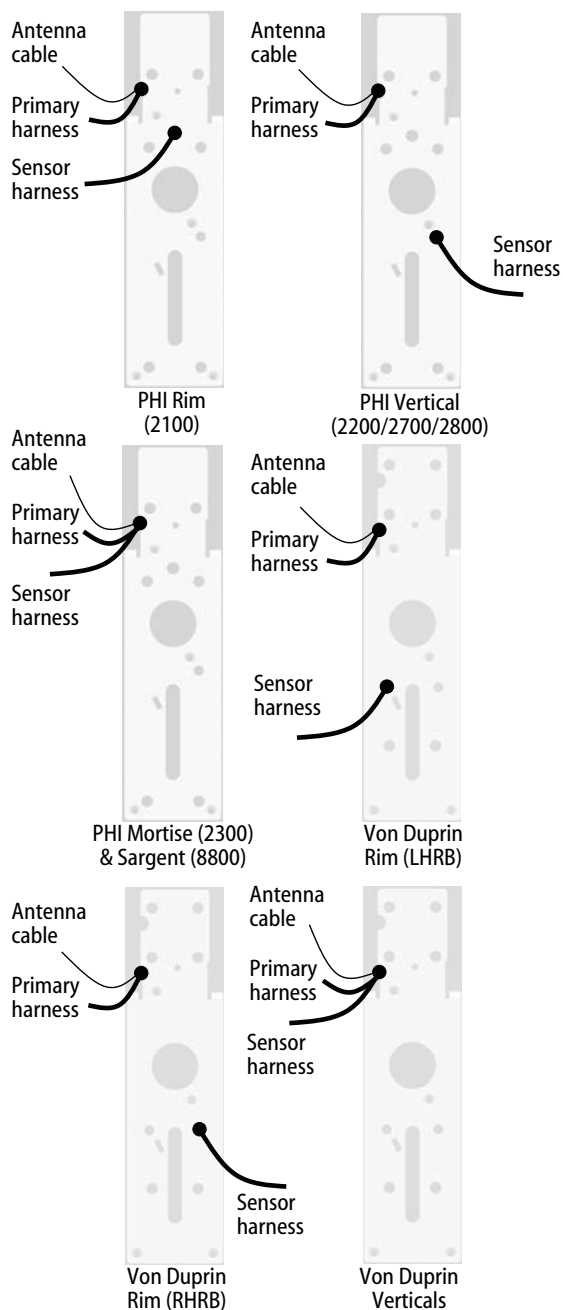


Figure 10 Variations of EXQ Trim rear view

8 Re-route sensor harness (if applicable)

Looking at the back of the trim, compare it to the pictures in Figure 10. If your trim does not match the proper picture, then follow the applicable steps below to re-route the sensor harness.

Installing the exit hardware and trim

- 1 Carefully peel the black gasket off of the back of the trim. Set it aside to be re-applied later.
- 2 Remove the backplate from the trim by removing the four screws that attach it.
- 3 While the gasket and backplate are removed, change the handing of the trim if necessary.
Do so by removing the four threaded guide pins and retaining ring as shown in Figure 11, pulling out and flipping the lever 180 degrees, and then reassembling.

For Precision 2100 devices

- 4 Re-route the sensor harness out through the alternate wire-routing hole as shown in Figure 12.
- 5 Reattach the backplate ensuring that the springs are properly seated and wires are not pinched.
- 6 Reapply the gasket.

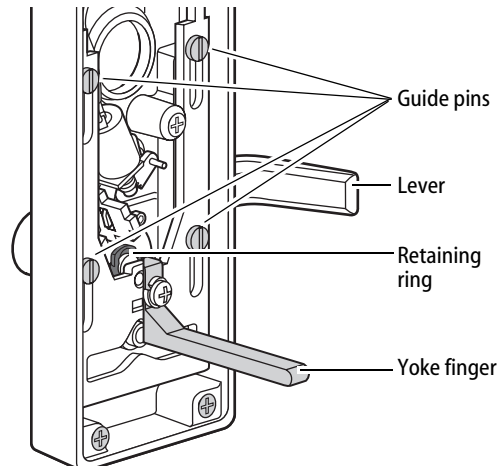


Figure 11 Changing the hand of the trim (if needed)

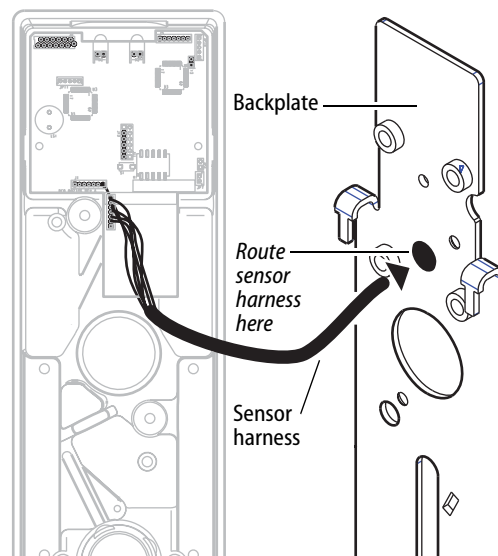


Figure 12 Re-routing the sensor harness for Precision 2100 exit devices

Installing the exit hardware and trim

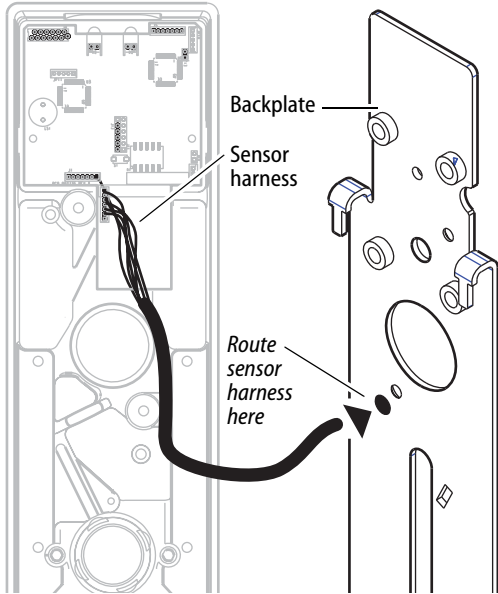


Figure 13 Re-routing the sensor harness for Precision 2200, 2700 and 2800 exit devices

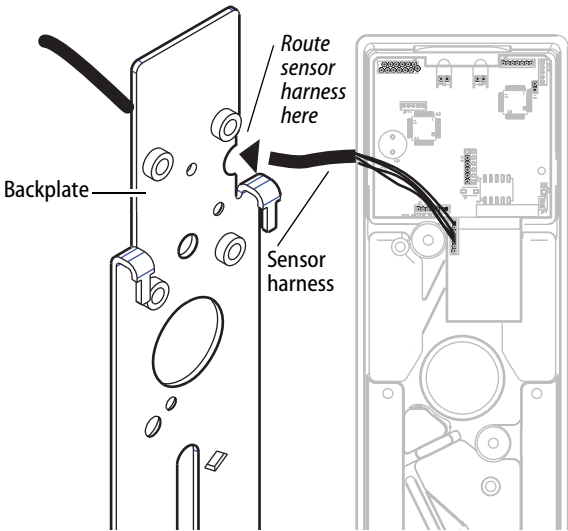


Figure 14 Re-routing the sensor harness for Precision 2300 and Sargent 8800 exit devices

For Precision 2200, 2700 and 2800 devices

- 4 Re-route the sensor harness around the cylinder hole and around the escutcheon boss, then out through the alternate wire-routing hole as shown in Figure 13.
- 5 Reattach the backplate ensuring that the springs are properly seated and wires are not pinched.
- 6 Reapply the gasket.

For Precision 2300 and Sargent 8800 devices

- 4 Re-route the sensor harness toward the top of the escutcheon to the same area as the battery cable, antenna cable and relay shunts. See Figure 14.
- 5 Reattach the backplate ensuring that the springs are properly seated and wires are not pinched.
- 6 Reapply the gasket.

For Von Duprin Rim devices with RQE

- 4 Re-route the sensor harness around the cylinder hole and around the escutcheon boss, then out through one of the alternate wire-routing holes (based on handing) as shown in Figure 15.
- 5 Reattach the backplate ensuring that the springs are properly seated and wires are not pinched.
- 6 Reapply the gasket.

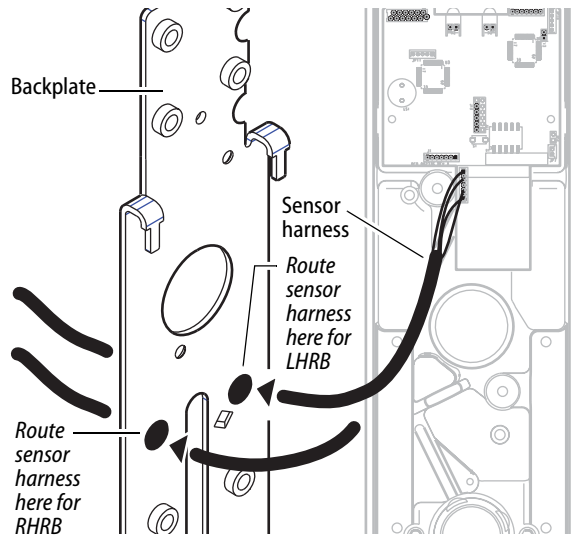


Figure 15 Re-routing the sensor harness for Von Duprin with RQE

Installing the exit hardware and trim

For Von Duprin vertical rod devices and rim without RQE

- 4 Re-route the sensor harness as shown in Figure 16.
- 5 Reattach the backplate ensuring that the springs are properly seated and wires are not pinched.
- 6 Reapply the gasket.

9 Install cylinder (Von Duprin only)

- 1 To determine the correct spindle length, try the cylinder in the door while holding the escutcheon and lock stile case in place.
Then break off the spindle at the groove where it will engage correctly with the latching mechanism.
If necessary break off the mounting screws as shown in Figure 17.
- 2 From the front of the escutcheon, insert the cylinder into the cylinder opening.
- 3 Holding the cylinder in position in the escutcheon, insert the cylinder mounting sleeve through the back of the escutcheon, over the cylinder.
- 4 Orient the cylinder and clamp plate as shown in Figure 17. From the back of the escutcheon, secure the cylinder and mounting sleeve using the clamp plate and mounting screws.

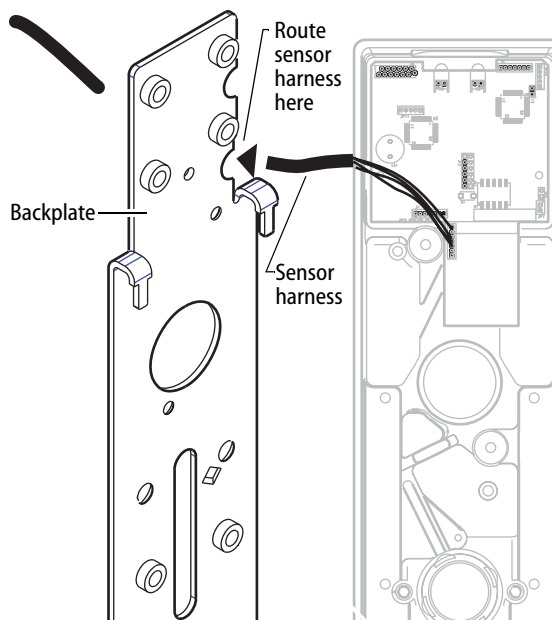


Figure 16 Re-routing the sensor harness for Von Duprin vertical rod and rim without RQE exit devices

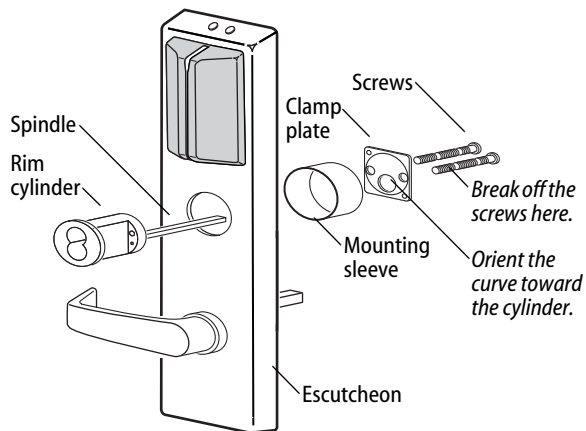


Figure 17 Installing the cylinder for Von Duprin rim and rod exit devices

Installing the exit hardware and trim

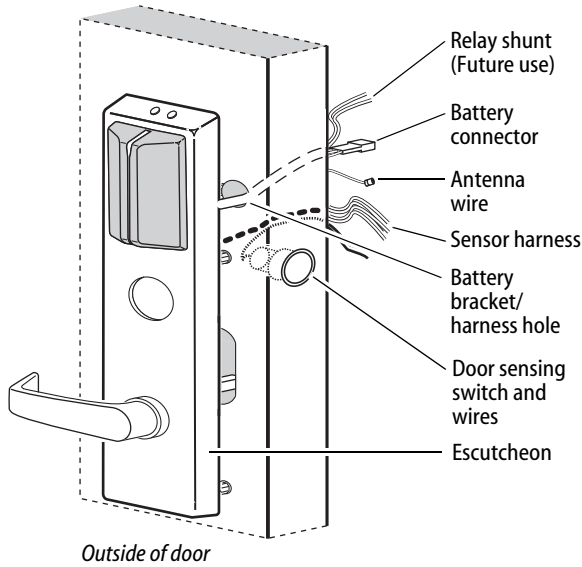


Figure 18 Feeding the wires through the door

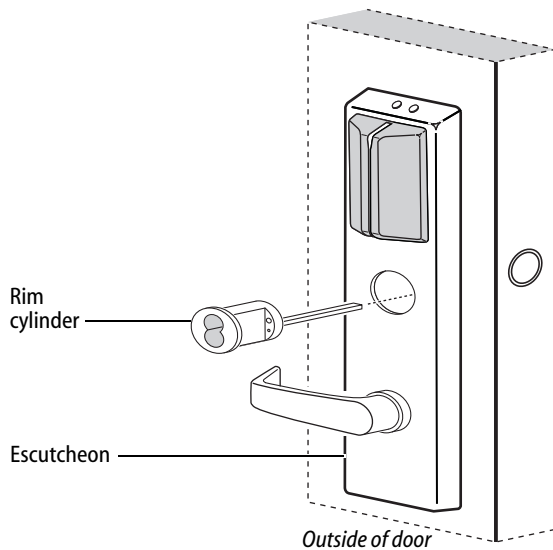


Figure 19 Installing the cylinder

10 Route wire harnesses and position escutcheon

- 1 From the outside of the door, feed the antenna wire and battery connector (with relay shunt) through the battery bracket/harness hole as shown in Figure 18.

Caution 1: When routing the connectors, make sure the harnesses are not routed across any sharp edges or over any surface that could damage their sleeving or wire insulation.

Caution 2: Do not strain the wire harness either by pulling too hard on it or by dangling the escutcheon from it.

- 2 Route the sensor harness through the door (same hole as the door sensing wires).
- 3 Rest the escutcheon on the door by inserting the trim studs into the mounting holes.

11 Install cylinder (Precision devices)

For rim and vertical rod exit device installations (rim cylinder)

- 1 To determine the correct spindle length, try the cylinder in the door while holding the escutcheon and lock stile case in place.

Then break off the spindle at the groove where it will engage correctly with the latching mechanism.

Break off the mounting screws at the groove where they will secure the clamp plate to the cylinder.

- 2 Insert the cylinder through the cylinder opening in the escutcheon and into the door as shown in Figure 19.
- 3 Orient the cylinder and clamp plate as shown in Figure 20. From the inside of the door, secure the cylinder using the clamp plate and mounting screws.

Installing the exit hardware and trim

For mortise exit device installations (mortise cylinder)

- 1 For doors less than 2" in thickness, place the cylinder ring provided on the cylinder.
- 2 Rotate the cylinder cam to the 12 o'clock position, as shown in Figure 21.
- 3 Using a cylinder wrench (ED211), insert the cylinder through the cylinder opening in the escutcheon and screw the cylinder into the mortise case. Make sure that the figure-8 hole is in the 12 o'clock position.

Caution: Do not screw the cylinder in too tightly. Doing so may cause users to be locked out.

12 Install exit hardware and secure escutcheon

For Precision 2200, 2700 and 2800 exit devices only

- Drill a 5/16" hole through the front part of the chassis as shown in Figure 22. (This hole is used to pass the sensor harness and door position switch wires into the chassis area.)

For all exit devices

- 1 Make any adjustments to the exit hardware necessary for compatibility with lever function outside trim.
- 2 Install the exit hardware (lock stile case, touch bar assembly, latches and rods [if applicable], and related hardware); follow the instructions provided by the exit hardware manufacturer.

Note: The escutcheon is secured on the outside of the door by the screws used to mount the lock stile case on the inside of the door.

Caution: When securing the escutcheon, make sure that it does not pinch any wires.

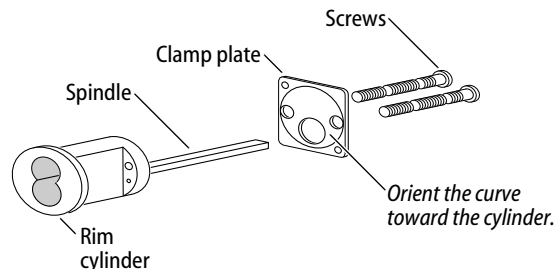


Figure 20 Rim cylinder components

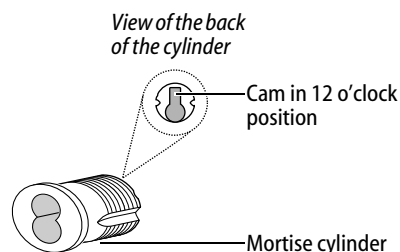


Figure 21 Mortise cylinder components

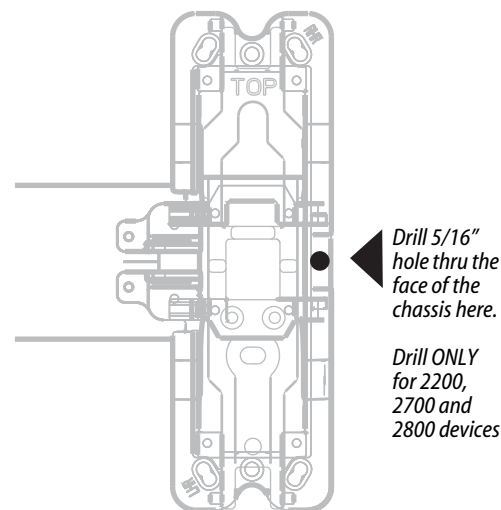


Figure 22 Drilling 5/16" hole for Precision 2200, 2700, and 2800 exit devices only

Installing the exit hardware and trim

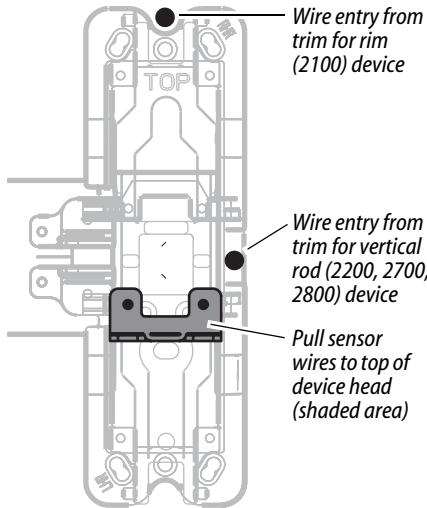


Figure 23 Pulling sensor harnesses to the top of the device head

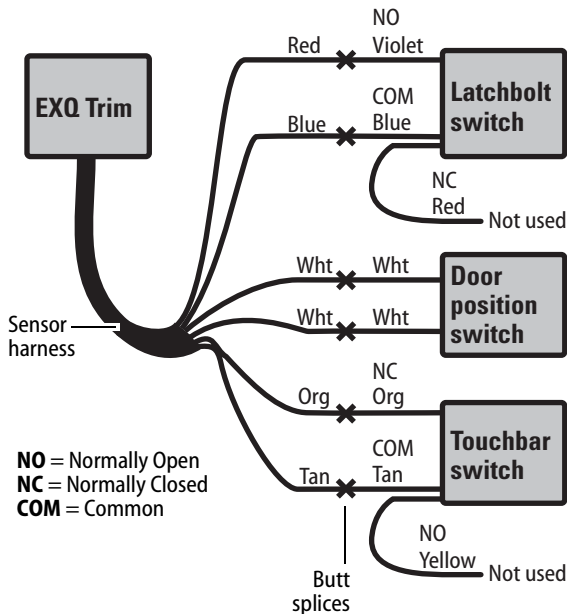


Figure 24 Schematic diagram for connecting Precision sensor harness wires

13 Route sensor wires

Use the following table to determine sensing wire functions:

Wire function	Colors	No. of wires
Touchbar monitoring (RQE)	Orange and tan	2
Door sensing	White	2
Latchbolt sensing	Red and blue	2

- 1 Pull wires from the sensor harness, door position switch, latchbolt switch, and touchbar switch to the top of the device head as shown in Figure 23.

Note: For Precision 2300, Sargent 8800, or any Von Duprin application without RQE, pull the door position switch and sensor harness wires into the battery bracket area rather than the device head.

Note: For Von Duprin applications with RQE, touchbar switch wires must be re-routed into the device head in such a way as to avoid any pinching or contact with moving parts. The sensor harness can be routed into the head area through any suitable hole in the chassis.

- 2 Cut the wires to the appropriate length (that is, remove the excess to leave minimal slack after the spliced connections).
- 3 Strip the wire ends for connection using the butt-splices.
- 4 Make wire connections as detailed in Figure 24 or Figure 25 using the butt-splices (provided).

Note: For Sargent devices, connect the door position switch to the two white sensor harness wires.

Note: In the case of unused wires, be sure to cover the ends with electrical tape.

Installing the exit hardware and trim

- 5 Make sure to route and dress the wires so that they do not interfere with any moving parts.
- 6 Tape the wires to the device head (some tape is provided).
- Note:** For Precision 2200, 2700, and 2800 exit devices, use cable ties in addition to the tape, to hold wires as shown in Figure 26.
- 7 Install the case cover.

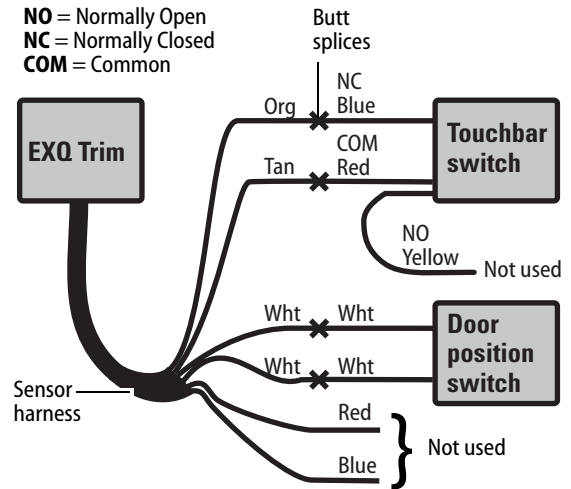


Figure 25 Schematic diagram for connecting Von Duprin sensor harness wires

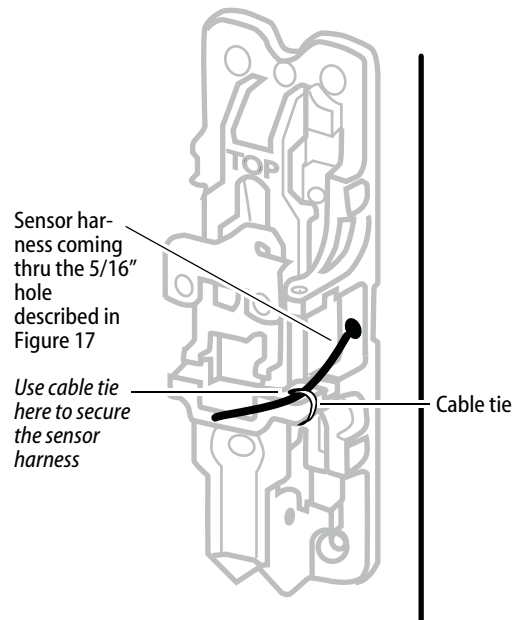


Figure 26 Using cable ties to hold wires for Precision 2200, 2700, and 2800 exit devices

Installing the exit hardware and trim

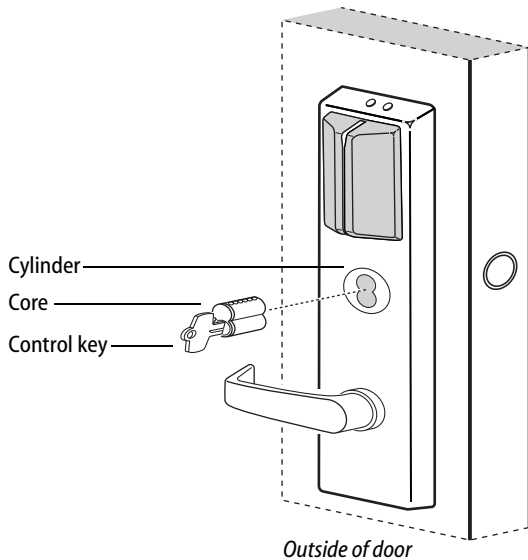


Figure 27 Installing the core

14 Install core

- 1 Insert the control key into the core and rotate the key 15 degrees to the right.
- 2 With the control key in the core, insert the core into the cylinder as shown in Figure 27.
- 3 Rotate the control key 15 degrees to the left and withdraw the key.

Caution: The control key can be used to remove cores and to access doors. Provide adequate security for the control key.

15 Install mortise case faceplate (mortise exit devices only)

- 1 Secure the mortise case faceplate to the mortise case; follow the instructions provided by the exit hardware manufacturer.
- 2 Check the lock for proper operation.

16 Install strike(s)

Note: If retrofitting the trim to an existing exit hardware installation, skip this task.

- 1 Install the strike(s) in the door frame or door stop; follow the instructions provided by the exit hardware manufacturer.
- 2 Check the lock for proper alignment between the strike(s) and latch(es).

Completing the installation

17 Install battery bracket on door

- 1 Position the battery bracket on the inside of the door as shown in Figure 28.

Note: If installing with a surface rod exit device, the battery bracket is mounted over the upper rod.

- 2 Secure the battery bracket to the door using two of the mounting screws provided.

Note: For doors less than 2" in thickness, use the 1 1/4" screws. For doors 2" or greater, use the 1 3/4" screws.

Caution: When routing the wire harness, make sure the wires are not routed across any sharp edges or over any surface that could damage their sleeving or wire insulation. Keep away from any moving parts.

- 3 Tape all wires to the bracket using the tape provided.

Note: For Precision 2300, Sargent 8800, or any Von Duprin exit device without RQE, sensor harness and door position switch wires will also be run into this area of the battery bracket.

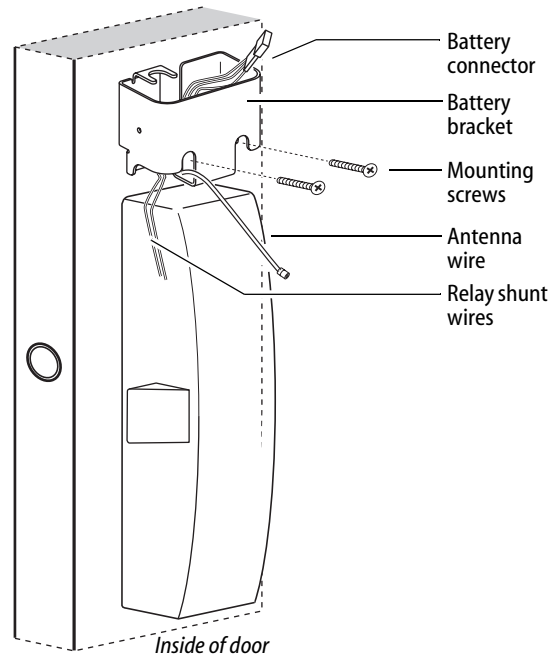


Figure 28 Installing the battery bracket on the door

Completing the installation

19 Install battery/antenna cover

- 1 If installing with a surface vertical rod exit device, carefully use a razor blade to remove the knockouts for the rod from the battery cover. See Figure 30.
- 2 Connect the antenna to its mating connector.
- 3 Coil the antenna wire carefully inside the battery cover.

Caution: Carefully bend, but do not twist or kink the antenna wire. Doing so may significantly reduce or completely interrupt signal transmission.

- 4 Making sure that the battery/antenna cover does not pinch any wires, place the battery/antenna cover over the bracket and battery.
- 5 Secure the battery cover with the provided self-tapping screws.

Caution: Tighten screws firmly but do not over-tighten. Over-tightening may strip screw holes or crack the cover.

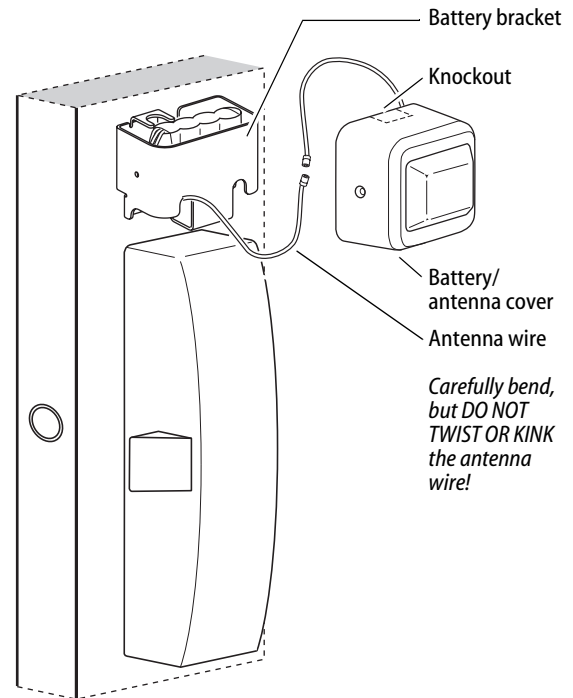


Figure 30 Installing the battery cover over the battery bracket and connecting the antenna

Completing the installation

20 Test lock

For EXQ Locks with keypad only:

To test the lock for proper operation before the lock is programmed, follow these instructions:

- 1 Press **1234**.
- 2 Press **#**.
The green light flashes and the locking mechanism unlocks.
- 3 Turn the lever and open the door.

For all other locks:

To test the lock for proper operation before the lock is programmed, use the temporary operator card that came with the lock. This card is for temporary use only. After permanent cards have been programmed for the lock, the temporary card should be deleted.

- 1 Use the temporary operator card to activate the lock.
- 2 Use the temporary operator card to access the lock.
The green light flashes and the locking mechanism unlocks.
- 3 Turn the lever or knob and open the door.
- 4 With the door closed, insert and turn the key to unlatch the door.

If the mechanism doesn't unlock, refer to the following table.

LEDs	Sounder	You should
Single red flash	1 short tone	Use the card at a moderate speed.
Single red flash	3 short tones	Use the temporary operator card provided with the lock. or Perform a door reset to restore to the factory default settings (the lock may already be associated/programmed)
Alternating red and green flashes	none	Check the motor connection.
none	none	Check the battery connection.

Important: When the trim and exit hardware installation is complete, perform all testing specified by the exit hardware manufacturer.

©2008–2009 Stanley Security Solutions, Inc. and Stanley Logistics, Inc.
T82621/Rev D 3108554 ER-7991-12 April 2009

C

INDEX

A

access controllers, wireless 7-3
adapter devices 7-5
antenna kits 7-7
audible responses
 See responses, visual and audible

B

B.A.S.I.S. to wireless conversion kits 6-6
battery packs and holders 7-9
beacons 7-8

C

card encoders
 See encoders, card
card readers
 See readers, card
cases, mortise 3-4
changing handing for exit hardware trim
 5-15
chassis, cylindrical 4-6
compatibility, exit hardware trim 5-2
concealed cylinder
 See cylinders
control electronics kits 6-3
controllers, wireless access
 See access controllers, wireless
conversion kits 6-6
cylinders
 concealed mortise 3-7
 mortise 5-10
 rim 5-11

cylindrical chassis
 See chassis, cylindrical
cylindrical trim components
 See trim components, cylindrical

D

definitions
 See terms and definitions
documentation package 1-5
door position switch and magnet assembly
 3-7, 4-9, 5-14
dual validation reader trim, exit hardware
 exploded view 5-8
 parts list 5-9
dual validation reader trim, standard
 exploded view 2-8
 parts list 2-9

E

encoders, card 7-2
escutcheon, exit hardware inside
 exploded view 5-3
 parts list 5-3
escutcheon, exit hardware outside
 exploded view 5-4, 5-6, 5-8
 parts list 5-5, 5-7, 5-9
escutcheon, inside conversion kits 6-6
escutcheon, outside complete assemblies
 6-7
escutcheon, standard inside
 exploded view 2-2
 parts list 2-3

escutcheon, standard outside
 exploded view 2-4, 2-6, 2-8
 parts list 2-5, 2-7, 2-9
exit hardware trim, changing
 handing 5-15

F

faceplates, mortise case 3-5
field replacement kits
 See kits

G

gateways
 See portal gateways
glossary A-1

H

handing, changing for exit
 hardware trim 5-15

I

inside escutcheon
 See escutcheon, exit hardware
 inside
 See escutcheon, standard inside
inside escutcheon conversion kits
 6-6
installation instructions
 See instructions, installation
installation specifications
 See specifications, installation
instructions, installation 1-5, B-1
internal part kits for exit hardware
 trim 6-4

K

kits
 antenna kits 7-7
 B.A.S.I.S. to wireless conversion
 kits 6-6
 complete outside escutcheon
 assemblies 6-7
 control electronics kits 6-3
 inside escutcheon conversion
 kits 6-6
 internal part kits for exit
 hardware trim 6-4
 other kits for exit hardware
 trim 6-4
 reader kits 6-2
 screw and spring kits for exit
 hardware trim 6-5
 site survey kit 7-8
 wire harness kits 6-3
knobs, mortise 3-2, 3-3

L

latches 4-7
LED responses
 See responses, visual and
 audible
levers
 components for cylindrical
 locks with
 interchangeable cores
 4-3
 components for cylindrical
 locks with non-
 interchangeable cores
 4-4
 cylindrical 4-2
 exit hardware 5-12
 mortise 3-2, 3-3
lift fingers 5-13
light responses
 See responses, visual and
 audible
lock transaction types
 See transaction types

M

magnetic stripe reader trim, exit
 hardware
 exploded view 5-4
 parts list 5-5
magnetic stripe reader trim,
 standard
 exploded view 2-4
 parts list 2-5
modem 7-6
mortise case faceplates
 See faceplates, mortise case
mortise cases
 See cases, mortise
mortise cylinder
 See cylinders

O

outside escutcheon
 See escutcheon, exit hardware
 outside
 See escutcheon, standard
 outside
overview
 cylindrical lock 1-3
 exit hardware trim 1-4
 mortise lock 1-2

P

portal gateways 7-4
power devices 7-5
power-over-ethernet devices 7-5
proximity reader trim, exit
 hardware
 exploded view 5-6
 parts list 5-7
proximity reader trim, standard
 exploded view 2-6
 parts list 2-7

Q

quick reference, visual and audible
 response 8-2

R

reader kits 6-2
readers, card 7-2
responses, visual and audible 8-2
rim cylinder
 See cylinders
rose liners 4-5

S

screw and spring kits for exit
 hardware trim 6-5
site survey kit
 See survey kit, site
sound responses
 See responses, visual and
 audible
sounder
 See responses, visual and
 audible
specifications, installation 1-5
strike boxes and strike plates
 cylindrical 4-8
 mortise 3-6
support, technical 1-6
survey kit, site 7-8

T

technical support
 See support, technical
templates 1-5
terms and definitions A-1
tools 7-10
transaction types 8-6
transformer 7-5
trim
 See escutcheon, exit hardware
 inside
 See escutcheon, exit hardware
 outside
 See escutcheon, standard inside
 See escutcheon, standard
 outside
trim compatibility, exit hardware
 5-2
trim components, cylindrical 4-5
troubleshooting
 system problems 8-4
 visual and audible responses
 8-2

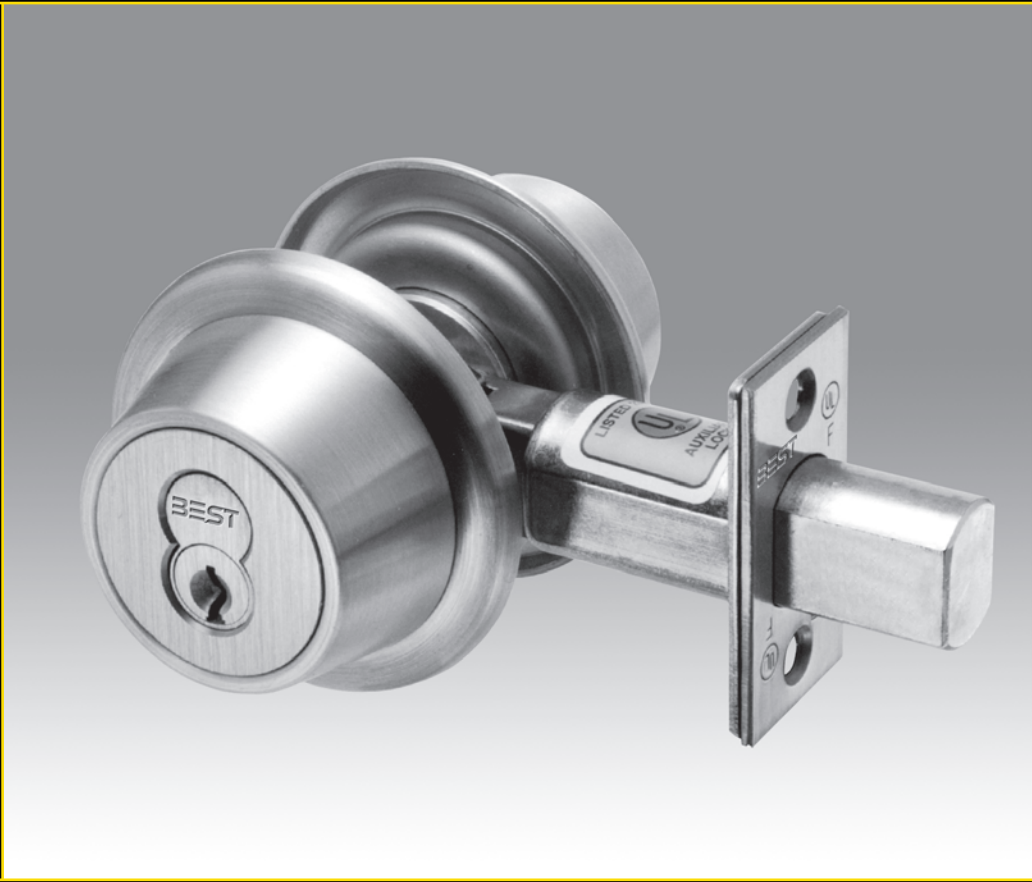
V

visual responses
 See responses, visual and
 audible

W

wire harness kits 6-3
wireless access controllers
 See access controllers, wireless

STANLEY
Security Solutions



T SERIES

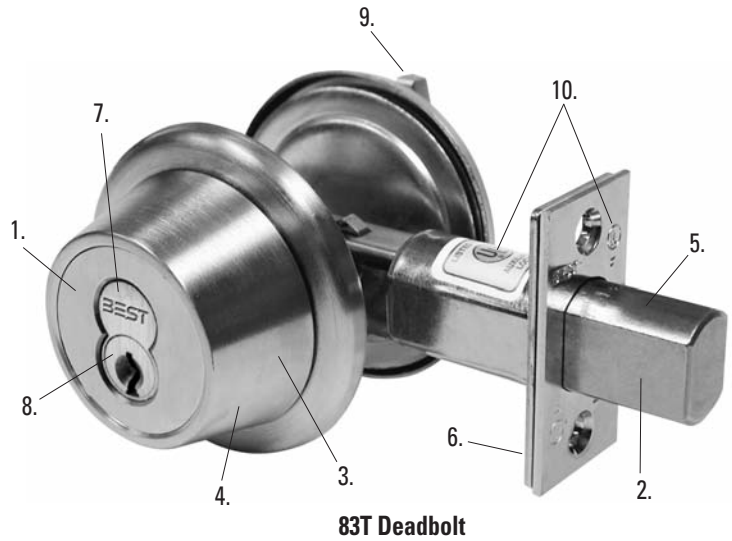
TUBULAR DEADBOLTS



TUBULAR DEADBOLTS

DEADBOLT FEATURES

1. No exposed mounting screws standard on 82T/83T double cylinder M function only (available as an option on 82T/83T K, L, and S function)
2. Full 1" stainless steel throw deadbolt
3. Free-turning, wrench-resistant, tapered cylinder ring
4. **82T/83T**-solid extruded brass or bronze cylinder
72T/73T-solid cast zinc with brass or bronze shell
5. Stainless steel for strength and corrosion resistance
6. Simple installation; self-aligning and reversible strike
7. May be keyed into existing BEST® masterkeyed system
8. The original interchangeable core permits instant, economical re-lock
9. ADA turn lever
10. Deadbolt UL listed for use as auxiliary lock type on 3 hr. fire doors (GWXT). These locks also carry the C-UL mark which is officially accepted in all of Canada, indicating compliance with appropriate Canadian standards and codes.



Products protected by one or more of the following patents:

4,301,667 D290,085 4,843,852 5,590,555 5,794,472
Other Patents Pending

SPECIFICATIONS

Backset: 72T/82T – 2 3/8", 73T/83T – 2 3/4"

Cylinders:

82T/83T– ANSI A156.36-2010 Auxiliary Locks, **Grade 1**
Operational, Strength and Security with drill-resistant core
(1CD/1CDP.1CDB/1CDF/1CDM/1CDX)

72T/73T– ANSI A156.36-2010 Auxiliary Locks, **Grade 2**
Operational, Strength and Security with drill-resistant core
(1CD/1CDP.1CDB/1CDF/1CDM/1CDX)

Deadbolt: 72T/73T– 1"throw, 5/8"x 7/8" bolt. Brass nickel plated, with concealed hardened steel free-turning pin. Housing fits 1" bore.

82T/83T– 1"throw, 5/8"x 7/8" solid stainless steel bolt.

Housing fits 1" bore.

Door thickness: Fits 1 3/4" doors (standard)

72T/73T: fits doors - from 1 3/8" to 2 1/8"

82T/83T: fits doors - from 1 3/8" to 3"

Faceplate: brass or bronze base material.

72T/82T – 1" x 2 1/4", **73T/83T** – 1 1/8" x 2 1/4"

Finishes:

72T/73T: 612 – satin bronze, 626 – satin chromium,
82T/83T: 605 – bright brass, 606 – satin brass, 611 – bright bronze, 612 – satin bronze, 613 – dark oxidized satin, 625 – bright chromium, 626 – satin chromium

Strikes:

8TSTK – rectangular 1 1/8" x 2 3/4" (ANSI A156.36-2010)
8TS1 – curved lip 1 1/4" x 4 7/8" (ANSI A156.36-2010)
8TS4 – curved lip 1 1/8" x 2 3/4" (ANSI A156.36-2010)
8TS5 – high security rectangular 1 1/4" x 4 7/8" (ANSI A156.36-2010)

Trim: wrought brass or bronze cylinder rose or turn lever rose, 2 3/4" dia. to cover 2 1/8" bore. Machined brass or bronze cylinder ring.

STRIKES



8TSTK Standard Strike

Dimensions– 1 1/8" x 2 3/4"
(Supplied with box and screws)

To order with unit– STK

To order without unit–
8TSTK and finish



8TS4 Strike

Dimensions– 1 1/8" x 2 3/4"
with curved lip. (Supplied with box and screws).

To order with unit– S4
To order without unit–
8TS4 and finish.



8TS1 Strike

Dimensions– 1 1/4" x 4 7/8"
(ANSI 115.1) (Supplied with box and screws).

To order with unit– S1
To order without unit–
8TS1 and finish.



8TS5 High Security Strike

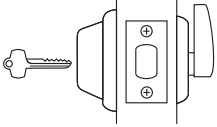
Dimensions– 1 1/4" x 4 7/8"
(Supplied with box and long screws).

To order with unit– S5
To order without unit– 8TS5
and 630 *finish ONLY*.



FUNCTIONS

Function & Diag.
ANSI (Fed. No.)
K-Turnknob

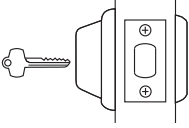


E2151, E2152 (181K)

Deadbolt operated by...

- Turning the key in the outside cylinder
- Turning the inside turn lever.

L-One-Way Deadbolt

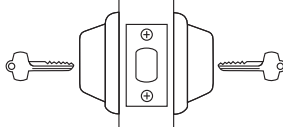


E2161, E2162 (181L)

Turning the key in the outside cylinder; the inside cylinder is blank

***ATTENTION:** Locksets that secure both sides of the door are controlled by building codes and the Life Safety Code. In an emergency exit situation, failure to quickly unlock the deadbolt could be hazardous or even fatal.

Function & Diag.
ANSI (Fed. No.)
***M-Double-Cylinder**

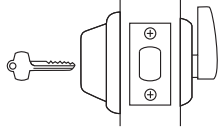


E2141, E2142 (181M)

Deadbolt operated by...

- Turning the key in the inside or outside cylinder. The inside mounting screws are concealed.

S-Classroom

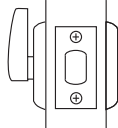


E2171 (181S)

- Turning the key in the outside cylinder
- Turning the inside turn lever only retracts the deadbolt (available ONLY in 82T/83T)

Note: Can't throw the deadbolt.

KL-Closet
(available ONLY in 82T/83T)



Turning the turn lever only.

82T/83T TUBE ASSEMBLIES

82TDB Deadbolt Tube Assembly

Bolt throw – 1"
Backset – 2³/₈"
Faceplate – brass or bronze, 1" x 2¹/₄", self-adjusting and reversible for either door hand.
Tube – steel, fits 1" diameter bore

To order without trim:
82TDB and finish



83TDB Deadbolt Tube Assembly

Bolt throw – 1"
Backset – 2³/₄"
Faceplate – brass or bronze, 1¹/₈" x 2¹/₄", self-adjusting and reversible for either door hand.
Tube – steel, fits 1" diameter bore.

To order without trim:
83TDB and finish



82TD5 Drive-in Bolt Tube Assembly

Bolt throw – 1"
Backset – 2³/₈"
Faceplate – brass or bronze, circular
Tube – steel, fits 1" diameter bore

To order without trim:
82TD5 and finish



83TD5 Drive-in Bolt Tube Assembly

Bolt throw – 1"
Backset – 2³/₄"
Faceplate – brass or bronze, circular
Tube – steel, fits 1" diameter bore.

To order without trim:
83TD5 and 626 finish



HOW TO ORDER

83T	7	K	STK	606	Options	**
Backset	Core Housing	Function Code	Strike	Standard Finishes		
72T–2 ³ / ₈ " 73T–2 ³ / ₄ " 82T–2 ³ / ₈ " 83T–2 ³ / ₄ "	7–7 pin housing accepts all Best cores	see above	STK– standard deadbolt 82T/83T only S1– high security S4– curved lip S5– high security deadbolt (630 finish only)	72T/73T: 612 626 82T/83T: 605 606 611 612 613 625 626 690	CS– concealed screws (82T/83T only) D5– drive-in bolt (82T/83T only) LL– lead lined (83T only) NF– narrow face 1" (std. 82T) SH– security head screws (82T/83T only) WF– wide face 1 ¹ / ₈ " (std. 83T) Door thickness– specify if other than 1 ³ / ₄ " (82T/83T only)	

**Must specify key mark and number of keys or designate L/C for less core.

SERVICE EQUIPMENT

KD304A Boring Jig Kit

The KD304A jig kit is made for boring cut-outs in wooden doors for Fed. Spec. 160 and 161 series cylindrical/tubular locksets, doors 1 3/8" to 2 1/4" thick. The KD304A kit includes the boring jig (to drill wood doors for 2 3/8", 2 3/4", 3 3/4", and 5" backsets), a quick-release adaptor for 3/8" drill chuck, a 2 1/8" bit, and a 1" diameter x 9" bit.

The following kit items can also be purchased separately.

KD309 – 2 1/8" bit

KD318 – 1" dia. x 9" bit

KD319 – 3/8", quick release adaptor

To order complete kits specify:
KD304A Kit



KD304A parts



KD304A with case

KD312 and KD315 Face Plate Marking Chisel KD325 Strike Plate Location Pin

The KD315 face plate marking chisel (which locates the mortising for the face plate) and the KD325 strike locating pin (which centers the strike for proper installation) and is used for Fed. Spec. 161 cylindrical lockset, (1 1/8" x 2 1/4"), and BEST® series 82T & 83T tubular locks. The KD312 face plate marking chisel is available for Fed. Spec. 160 (1" x 2 1/4") preparation.

To order specify:

KD312– face plate marking chisel 1" (160)

KD315– face plate marking chisel 1 1/8" (161)

KD325– strike plate locating pin



KD315
(Fed. Spec. 161)



KD325

CORMAX™ PATENTED KEYING SYSTEM

BEST® CORMAX™ is the premier patented keying system offered by Stanley Security Solutions. CORMAX will meet your needs for security, key control, and convenience. A simple solution with no compromising allowed.

CORMAX is the upgrade path for existing BEST Standard, Premium, and MX8 customers; and it is an essential element of non-residential access control as security administrators strive to eliminate the unauthorized duplication of keys.

CORMAX offers the following features and benefits:

- A long-term US utility patent that guarantees the extended useful life of the system through 2027.
- A second, independent locking mechanism that utilizes a patented set of built-in side pins to provide higher security.
- Several levels of geographical exclusivity, including national exclusivity, are available via the patented side pin feature.
- CORMAX cores and keys are available exclusively through Stanley sales offices. Key blanks are only sold to individuals authorized by the customer to ensure key blanks do not end up in the possession of unauthorized personnel either inside or outside the customer's facility.
- CORMAX cores are certified to meet the security, safety, and reliability requirements of BHMA A156.5 Grade 1.
- Picking and drilling resistance options are available if higher levels of security are desired.
- Complete factory masterkeying service offered, and at no charge with purchase of BEST locksets and PHI exit devices.
- Keyways are organized in families of four keyways each, with double-milled and quad-milled key levels to facilitate the design of masterkey systems in multi-building campuses.
- BEST CORMAX cores are compatible with all existing BEST interchangeable core housings, eliminating the need for new or modified locksets.



CORMAX™
Patented Keying System

For more information on Stanley Security Solutions' products, services, and office locations visit our web site at www.stanleysecuritysolutions.com

Product information contained in this catalog has been compiled and presented with as much care and completeness as is reasonably possible. Errors or mistakes may be present, and in many cases, reliance has been placed on information supplied by other manufacturers which may be in error or which may be subject to changes or modifications by the manufacturer without notice and without obligation. Therefore, no guarantee can be made or should be assumed or implied with regards to product information contained in this catalog.

Stanley Security Solutions, Inc.

6161 E. 75th Street Indianapolis, Indiana 46250

© 2011 Stanley Security Solutions, Inc. • www.stanleysecuritysolutions.com

10M 411
BAS014

STANLEY[®]
Security Solutions



WIRELESS ACCESS MANAGEMENT

STANLEY[®] WI-Q[™] TECHNOLOGY



TABLE OF CONTENTS

	Page		Page
Introduction	2	Cylindrical lock & features	7
Software	2	Accessories	7
Wireless intelligent option diagram	3	Exit trim & feature	8
Locking hardware features	3	Exit compatibility chart	8
Wireless portal gateway – standard door	4	Reader types	9
Wireless access controller & features	4	Components	10
Outdoor Bi Directional/parking gate	5	How to order	11
Mortise lock & features	6	Product selection chart	12

INTRODUCTION

The Stanley® Wi-Q™ Wireless Technology is a smart, fast, efficient wireless access control solution that will change the way you look at wireless access control. The system's 128 bit AES security encryption and ultra-smart power consumption provide unsurpassed online benefits without the online installation costs. Combine those benefits with multiple redundancy of the access control data at the reader, gateway and host computer means the system makes the access control decision at the door when the card is presented. Stanley also built this advanced technology into its existing line of access control solutions so one application can now control the BEST® offline, wireless and online access control doors, CCTV and ID Badging.

The Stanley® Wi-Q™ Wireless Technology utilizes the proven heavy duty BEST® electro-mechanical locksets which include our 9KQ, 45HQ and EXQ products. We didn't want to stop there, so we included online features such as a door position switch, request-to-exit control, a latch switch sensor and even a key override sensor as standard in our mortise lineup. In addition to these on the door applications, we are also introducing our Wireless Access Controller (WAC) module that provides wireless control for parking gates, turnstiles, electromagnetic locks, electric strikes and many other electronic devices.

The Stanley® Wi-Q™ Technology Wireless Access Solution brings intelligent power to your access control needs. Its overall design gives you upgrade ability and scalability to go from very small secure solutions to extremely large solutions. If you have been waiting for uncompromising wireless intelligence to show up at your door, Stanley® Wi-Q™ Wireless Technology has arrived.

Products covered by one or more of the following patents:

5,590,555 5,794,472
 5,083,122 6,720,861 Other products patent pending.

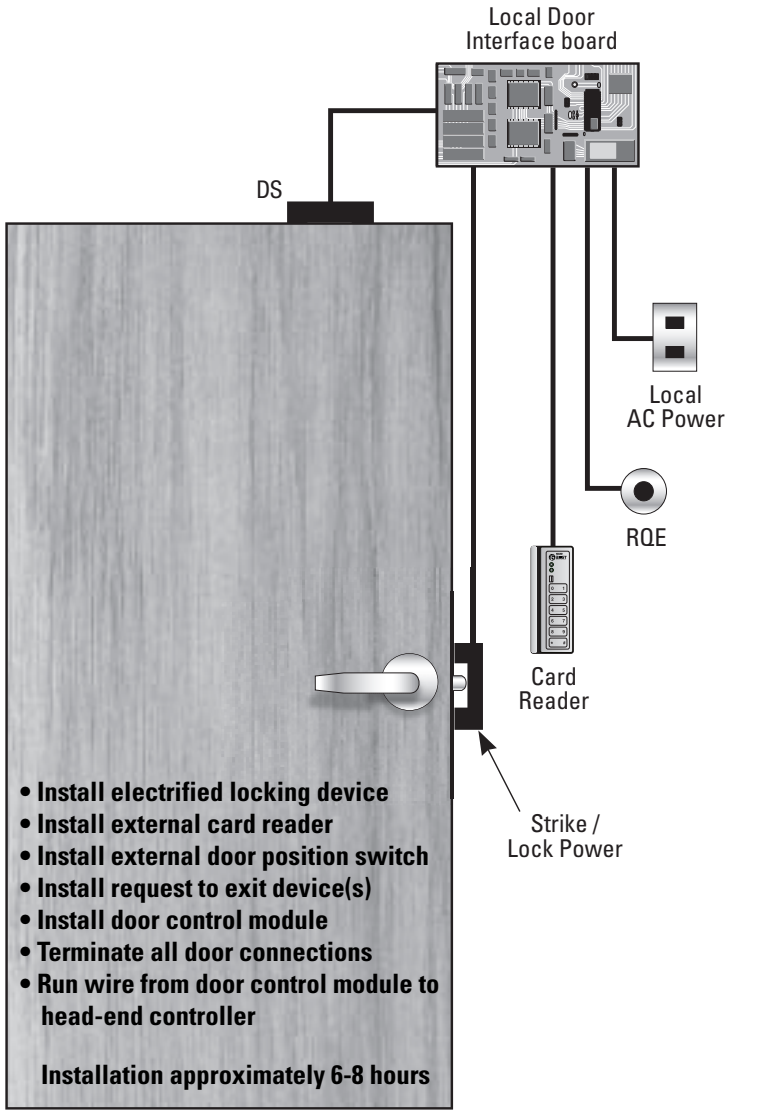
WI-Q™ – SOFTWARE

DESCRIPTION	Part #
WI-Q™ Software	
B.A.S.I.S.® 32ES Server* (base support for 32 readers, can be upgraded to 64)	WQS-SWS-32ES
B.A.S.I.S.® 32ES Client	WQS-SWC-32ES
B.A.S.I.S.® 32ES Server with Integrated Badging	WQS-SWS-32ESI
B.A.S.I.S.® ADV* (base support for 64 readers, can be upgraded to 256 readers)	WQS-SWS-ADV
B.A.S.I.S.® ADV & PRO Client	WQS-SWC-ADV
B.A.S.I.S.® ADV with Integrated Badging	WQS-SWS-ADVI
B.A.S.I.S. PRO* (base support for 128 readers, can be upgraded to unlimited)	WQS-SWS-PRO
Stanley® Wi-Q™ Access Management Software (2 readers enabled)	WQS-SWAT
* Requires Stanley® Wi-Q™ Access Control Software (WQS-SWAT)	
** Includes Stanley® Wi-Q™ Access Control Software (WQS-SWAT)	
B.A.S.I.S.® 32 Reader Upgrade for 32ES System	WQS-32ES-W-32RUP-WQ
B.A.S.I.S.® ADV and PRO reader upgrade (blocks of 64 readers)	WQS-PRO-W-64RUP-WQ

Note: Normal B.A.S.I.S.® software upgrade licenses apply. (Base software and 64 reader blocks)

Stanley® Wi-Q™ Software Reader Upgrades (These do not apply if B.A.S.I.S.® is also purchased)	
Software reader upgrade per 64 readers (base software defaults to a 2 reader license... does not apply if B.A.S.I.S.® is sold.) – Per facility upgrade	WQS-12845-64
Reader memory upgrade from 2,000 to 10,000 users (Each reader defaults to 2,000 users) – Per reader upgrade	WQS-12852-001
Reader memory upgrade from 2,000 to 30,000 users (Each reader defaults to 2,000 users) – Per reader upgrade	WQS-12852-002
Reader memory upgrade from 2,000 to 65,000 users (Each reader defaults to 2,000 users) – Per reader upgrade	WQS-12852-003
Portal Gateway upgrade per 64 readers (base software defaults to 16 readers. This expands from 16- 64, then each additional order adds 64 more reader capacity to the portal gateway.) – per Portal Gateway	WQS-12846-64

STANLEY® WI-Q™ TECHNOLOGY WIRELESS ACCESS MANAGEMENT SYSTEM – THE INTELLIGENT OPTION



- Install electrified locking device
- Install external card reader
- Install external door position switch
- Install request to exit device(s)
- Install door control module
- Terminate all door connections
- Run wire from door control module to head-end controller

Installation approximately 6-8 hours

Standard Hardwired System



- Includes electrified locking device
- Includes card reader
- Includes door position switch
- Includes request to exit device
- Includes door control module
- No wiring or terminations needed
- Connects wirelessly to remote Portal Gateway

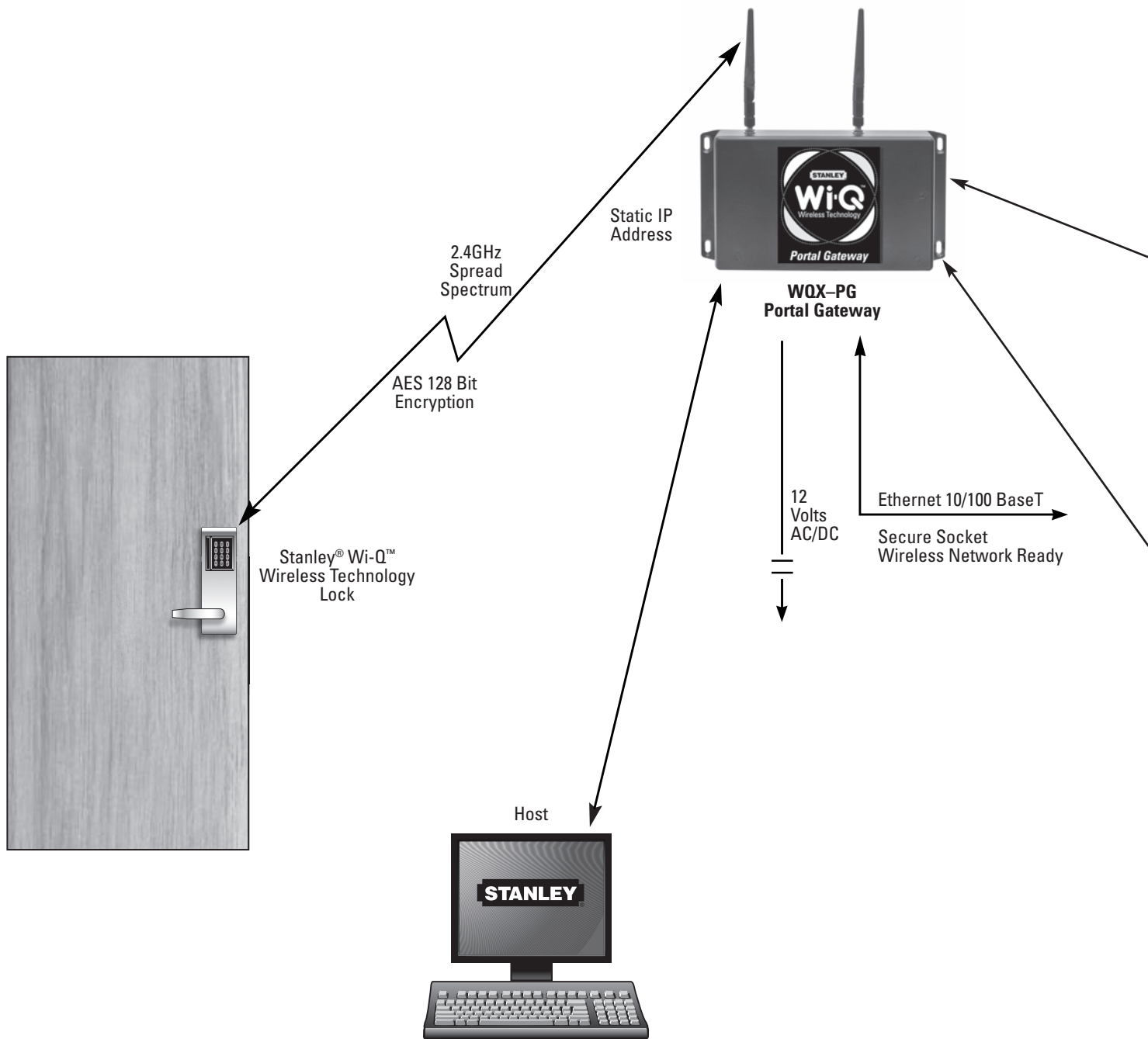
Installation approximately 1-2 hours

BEST® Wireless

LOCKING HARDWARE – FEATURES

- Dynamic memory up to 65K users per reader
- Each reader has its own unique MAC address
- Battery-powered by 'AA' battery pack
- All intelligence is at the door, NOT at a controller
- Standard Integrated Door Switch (DS), Latch Switch (LS), Request-to-Exit (RQE) and Key Override Sensor (KOS) on BEST® mortise chassis
- Standard Integrated DS, and RQE on BEST® cylindrical
- Standard Integrated DS, LS, RQE or EX chassis with the Precision™ exit device line.
- 85K-event audit trail stored dynamically at reader
- 144 Multiple time zone intervals/holiday periods per reader
- ADA compliant locksets
- Available in cylindrical, mortise, exit device, and wireless access controller configurations
- Magnetic stripe/PIN Dual-validation, HID and Indala proximity reader technology
- Two processors for efficient and reliable transfers of data and firmware updates
- Remote reader diagnostics right from PC (Battery Level and signal strength of each lock)

WIRELESS PORTAL GATEWAY – STANDARD DOOR

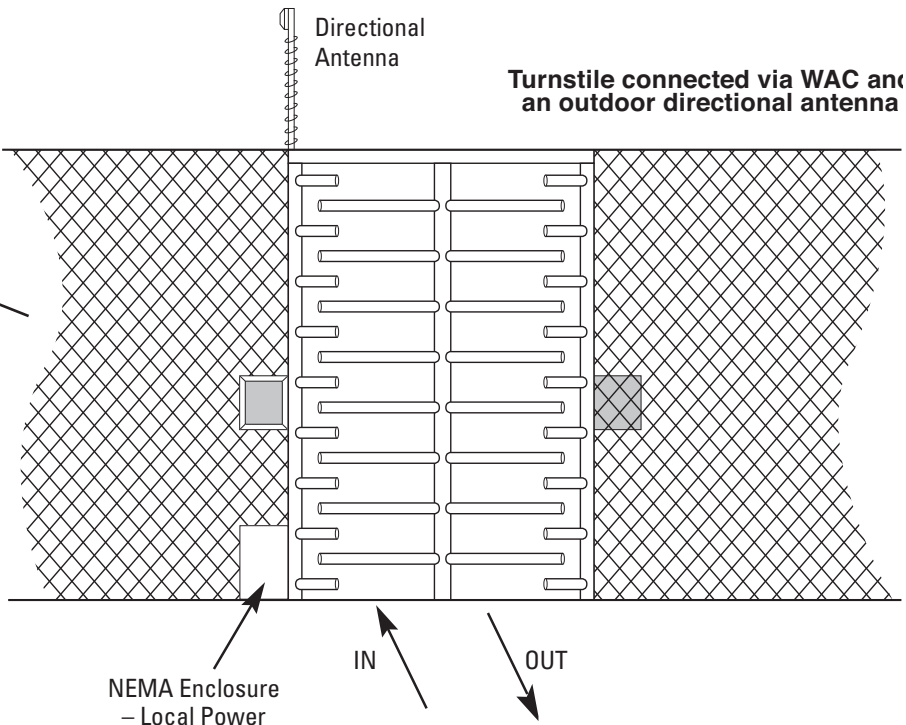


WIRELESS PORTAL GATEWAY – FEATURES

- Communicates at 2.4GHz spread spectrum to wireless readers or wireless access controllers
- Uses 802.15.4 protocol with clear channels above 802.11 to allow Wi-Fi interoperability
- 10/100 Base-T bit Ethernet
- Provides redundant communication (locks attached to the strongest signal)
- Non-dedicated portal can communicate with 1 to 128 readers (Does not imply that 128 readers/locks will be within distance of RF range to connect. Total number of portal gateways required is based on individual system survey and requirements.)
- Ceiling mounted Omnidirectional antenna included as standard
- Does not require typical controller hardwiring, simply plug the Portal Gateway into an existing TCP/IP network and provide local power.

WIRELESS ACCESS CONTROLLER

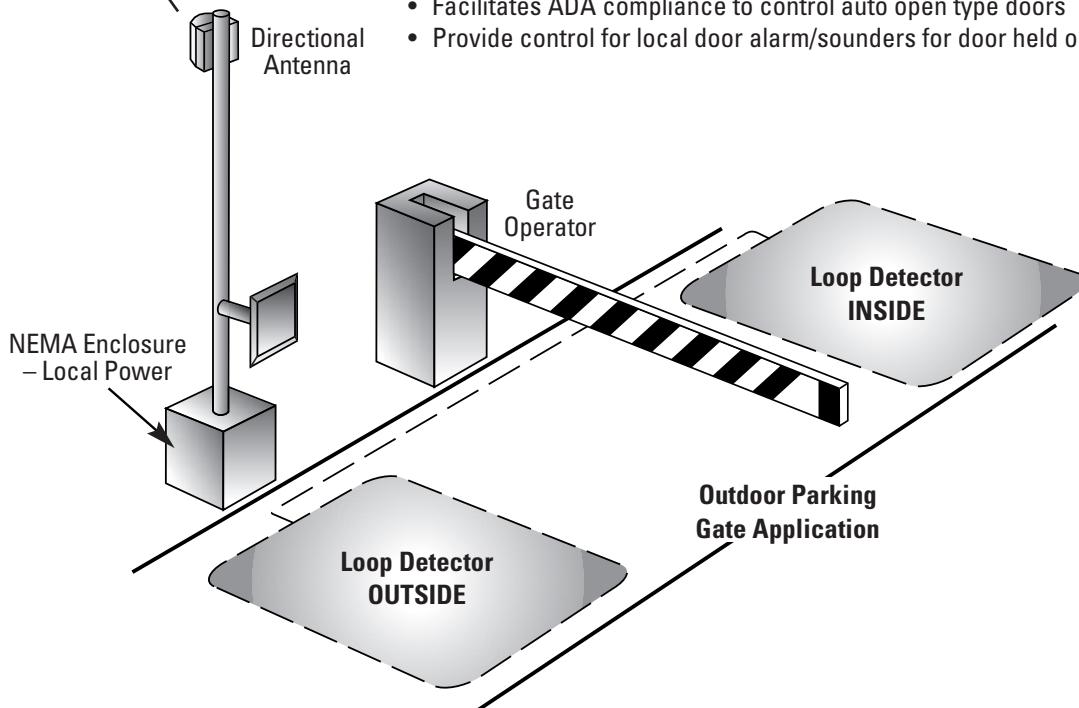
Wireless Access Controller (WAC) for turnstiles, parking gate arms, store front entry doors and existing hard-wired card access doors in retrofit applications.



WQX-WAC
Wireless Access Controller

WIRELESS ACCESS CONTROLLER – FEATURES

- Provides wireless control of electric locks on glass/aluminum doors
- Provides relay control for various locking devices
- Recommended for exterior door applications
- Existing wired system can be converted to wireless technology
- 2 output relays (Form-C) control external devices (alarms, electrified hardware, etc.)
- Monitors door latch, door status and request-to-exit
- Facilitates ADA compliance to control auto open type doors
- Provide control for local door alarm/sounders for door held open events



MORTISE LOCK



45HQ
Proximity Reader



Case: 0.095" cold rolled steel, 5 7/8" (149mm) H x 7/8" (22mm) D x 4 1/16" (149mm) W. Steel is zinc dichromate plated for corrosion protection.

Faceplate: Brass or bronze material, 8" (203mm) H x 1 1/4" (31mm) W x 1/16" (1mm) T. Lock face automatically adjusts to proper bevel during installation.

Strike: Brass, bronze, or stainless steel base material, 4 7/8" (124mm) H x 1 1/4" (31mm) W x 3/32" (2mm) T. Fits standard door frame cut-out as specified in ANSI A115.1. Universal (non-handed) strike supplied standard with lock.

Backset: 2 3/4" (69mm)

Door thickness: Standard lock configuration designed for doors 1 3/4" (44mm) thick.

Latchbolt: Solid stainless steel, 3/4" (19mm) throw. Latch is oil-impregnated for anti-friction operation. Reversible without opening case.

Deadbolt: Stainless steel, 1" (25mm) throw.

Auxiliary bolt: Stainless steel, non-handed.

Lever handle: Brass, bronze, or stainless steel base material. Lever styles 3, 14, and 15 return to a minimum of 1/2" (12mm) of door surface. Levers 12, 16, and 17 do not return.

Escutcheons: 10 3/8" (263mm) H x 3 1/4" (82mm) W x 1" (25mm) D (1" (25mm) at the top, sloping down to 3/4" (19mm) at the bottom)

Finishes:

- | | |
|---|--|
| 605 – bright brass, clear coated | 619 – satin nickel plated |
| 606 – satin brass, clear coated | 625 – bright chromium plated |
| 611 – bright bronze, clear coated | 626 – satin chromium plated |
| 612 – satin bronze, clear coated | 629 – bright stainless steel |
| 613* – oxidized satin bronze, oil rubbed | 630 – satin stainless steel |
| 618 – polished nickel plated | 690** – dark bronze powder coated |

Antimicrobial Finishes

- 626AM** – Satin Chrome Plated with UltraShield™ Antimicrobial coating
630AM – Satin Stainless Steel with UltraShield™ Antimicrobial coating

* 613 finish is designed to wear over time, providing an "antique" appearance.

** 690 finish will continue as a dark brown appearance over time.

ADA-Americans With Disabilities Act:

The design and operation of the mortise lock meets the intent of the standard for ANSI A117.1 section 404.2.6.

Builders Hardware Manufacturers Association:

ANSI A156.13, Series 1000, Grade 1 Operational, Strength, and Security. To meet Grade 1 Security, drill resistant cores (1CD, 1CDP, 1CDF, and 1CDX) must be used with escutcheon trims, and 1E7K4 high security cylinder must be used with sectional trims (H, R, and S).

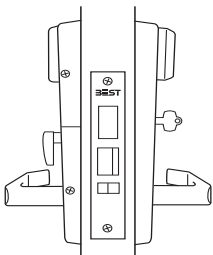
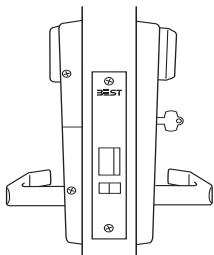
Underwriters Laboratories®

The 40H series is listed by Underwriters Laboratories for use on a 3 hour A label doors. These locks also carry the C-UL mark which is officially accepted in all of Canada, indicating compliance with appropriate Canadian standards and codes.

UltraShield™

The UltraShield protection is limited to the product's surface and is not meant to be a substitute for good hygiene. Stanley recommends instituting and maintaining a thorough cleaning regimen of all your door hardware.

MORTISE LOCK – FUNCTIONS

TV Deadbolt with key override	Latchbolt operated by:	DV Latchbolt with key override	Latchbolt operated by:
	<ul style="list-style-type: none"> • Outside key • Outside lever - unless locked by internal motor drive mechanism • Inside lever <p>Latchbolt deadlocked by:</p> <ul style="list-style-type: none"> • Auxiliary latch <p>Deadbolt operated by:</p> <ul style="list-style-type: none"> • Outside key • Inside turn knob • Outside lever when lever is unlocked by internal motor drive mechanism (retracts only) • Inside lever (retracts only) <p>Outside lever locked and unlocked by:</p> <ul style="list-style-type: none"> • Internal motor drive mechanism operated by time-activated electronic signal or by valid card/PIN <p>Inside lever is always unlocked</p>		<ul style="list-style-type: none"> • Outside key • Outside lever - unless locked by internal motor drive mechanism • Inside lever <p>Latchbolt deadlocked by:</p> <ul style="list-style-type: none"> • Auxiliary latch <p>Outside lever locked by:</p> <ul style="list-style-type: none"> • Internal motor drive mechanism operated by time-activated electronic signal or by valid card/PIN <p>Outside lever unlocked by:</p> <ul style="list-style-type: none"> • Internal motor drive mechanism operated by time-activated electronic signal or by valid card/PIN <p>Inside lever is always unlocked</p>

CYLINDRICAL LOCK

Materials: Internal parts are brass, zinc, or corrosion-treated steel.

Chassis: 2 1/16" (52mm) diameter to fit 2 1/8" (53mm) diameter hole in door.

Strike: Brass, bronze, or stainless steel base material, 4 7/8" (123mm) H x 1 1/4" (31mm) W x 3/32" (2mm) T.
Fits standard door frame cut out as specified in ANSI A115.1. Correct strike automatically supplied with unit. Strike box supplied as standard.

Backset: 2 3/4" (69mm) standard, 3 3/4" (95mm) and 5" (127mm) available.

Door thickness: Standard lock configuration designed for doors 1 3/4" (44mm) – 2 1/4" (57mm) thick.

Core housing: 7-pin core.

Latchbolt: 9/16" (24mm)

Lever handle: Manufactured from high quality zinc alloy, coated to match specified finish.

Body is approximately 1 5/8" (41mm) in diameter; handle is approximately 4 3/4" (120mm) in length (from center of chassis). Lever styles 14 and 15 return to a minimum of 1/2" (12mm) of door surface. Lever 16 does not return.

Escutcheons: 10 3/8" (263mm) H x 3 1/4" (82mm) W x 1" (25mm) D (1" (25mm) at the top, sloping down to 3/4" (19mm) at the bottom).

Finishes: **605** – bright brass, clear coated; **606** – satin brass, clear coated; **611** – bright bronze, clear coated; **612** – satin bronze, clear coated; **613*** – oxidized satin bronze, oil rubbed; **625** – bright chromium plated (brass base material); **626** – satin chromium plated (brass base material); **690**** – dark bronze coated (brass base material)

Antimicrobial finishes

626AM – Satin Chrome Plated with UltraShield™ Antimicrobial coating

630AM – Satin Stainless Steel with UltraShield™ Antimicrobial coating

* 613 finish is designed to wear over time, providing an "antique" appearance.

** 690 finish will continue as a dark brown appearance over time.

See page 6 for certification descriptions.



9KQ
Dual Validation Reader



CYLINDRICAL LOCK – FUNCTION

<p>DV Latchbolt with key override</p>	<p>Latchbolt operated by:</p> <ul style="list-style-type: none"> • Outside key • Outside lever - unless locked by internal motor drive mechanism • Inside lever <p>Outside lever locked by:</p> <ul style="list-style-type: none"> • Internal motor drive mechanism operated by time-activated electronic signal or by valid card/PIN <p>Latchbolt is deadlocked</p>	<p>Outside lever unlocked by:</p> <ul style="list-style-type: none"> • Internal motor drive mechanism operated by time-activated electronic signal or by valid card/PIN <p>Inside lever is always unlocked</p>
--	---	---

ACCESSORIES



NTD360120WBK
Magnetic Card
Access Reader



NTD360120WB
Dual Validation
Reader



HD-5365EGP00
HID Proximity
Reader



WQD12928001
POE Splitter
with Ferrite



WQD12929001
POE Injector



WQD12873001
Modem Gateway

EXIT TRIM



40HEXQ
Magnetic Stripe Reader



Materials: Internal parts are brass, zinc, or corrosion-treated steel.
Escutcheons: 10 3/8" (263mm) H x 3 1/4" (82mm) W x 1" (25mm) D. (1" (25mm) at the top, sloping down to 3/4" (19mm) at the bottom)
Door thickness: Std. lock configuration designed for doors 1 3/4" (44mm) – 2 1/4" (57mm) thick.
Lever handle: Brass, bronze, or stainless steel base material. Lever styles 14 and 15 return to a minimum of 1/2" (12mm) of door surface.
Finishes:
606 – satin brass, clear coated
613* – oxidized satin bronze, oil rubbed
626 – satin chromium plated (brass base material)
690** – dark bronze coated (brass base material)

Antimicrobial finishes:

626AM – Satin Chrome Plated with UltraShield™ Antimicrobial coating

630AM – Satin Stainless Steel with UltraShield™ Antimicrobial coating

* 613 finish is designed to wear over time, providing an "antique" appearance.

** 690 finish will continue as a dark brown appearance over time.

Exterior trim assembly compatible to exit hardware from Precision, Von Duprin, or Sargent 8000 rim device.

- Provides online lock capabilities for applications where building code requires exit hardware
- Exit trim comes standard with Door Position Switch (DS). It also comes with lead wires to connect to an optional Request-to-Exit (RQE) switch and an optional latch position switch available with the Precision line of exit devices.
- Request-to-Exit (RQE) & Latch Position Switch (LS) not available on Precision mortise
- Latch Position Switch (LS) not available
- The actual Request-to-Exit (RQE) & Latch Position Switch (LS) are never included with the EXQ trim. Those switches must be purchased separately.
- All EXQ trim must be installed by a Stanley® Certified Technician or warranty will be voided
- Exit hardware sold separately

See page 6 for certification descriptions.

EXIT TRIM – FUNCTIONS

<p>EV With key override</p>	<p>Latchbolt operated by:</p> <ul style="list-style-type: none"> • Outside key • Outside lever-unless locked by internal motor drive mechanism • Touchbar <p>Outside lever locked by:</p> <ul style="list-style-type: none"> • Internal motor drive mechanism operated by time-activated electronic signal <p>Outside lever unlocked by:</p> <ul style="list-style-type: none"> • Internal motor drive mechanism operated by time-activated electronic signal or by valid card/PIN <p>Inside hardware is always unlocked</p>
--	---

EXIT TRIM – COMPATIBILITY CHART

Device Type	Precision 2000	Von Duprin 98/99	Sargent 8800
Rim – w/o key override	2103	98TP, 99TP, 98L, 99L	8828, 8863, 8866
Surface Vertical Rod – w/o key override	2203	9827TP, 9947TP, 9827L, 9927L	N/A
Concealed Vertical Rod – w/o key override	2703	9847TP, 9847TP, 9847L, 9947L	N/A
Rim – with key override	2103	98TP, 99TP, 98L, 99L	N/A
Surface Vertical Rod – with key override	2203	9827TP, 9947TP, 9827L, 9927L	N/A
Concealed Vertical Rod – with key override	2703	9847TP, 9947TP, 9847L, 9947L	N/A

LOCKING HARDWARE TYPES AND TECHNOLOGIES

The Stanley Wi-Q™ Access Control Solutions supports:

- BEST® Mortise locks
- Precision™ Exit devices
- BEST® Cylindrical locks
- Stanley® Wireless Access Controller platforms

Lock reader types supports:

- Magnetic stripe
- Indala® proximity
- HID® proximity
- Dual validation (magnetic stripe plus keypad)

DOOR HARDWARE INTEGRATED — OFFLINE

Specifications for all readers:

Primary power: Battery pack.

Memory backup: Maintains all programming and history data for up to 3 months after loss of power.

User feedback indicators: Visual and audible.

Sealing: Weatherproof lens and gasket provides protection for outdoor use (usable in most environmental/exterior applications).

FCC Compliance: Compliant with US, Canadian, and European EMC requirements, and for FCC Class A digital apparatus interference.

Magnetic Stripe Reader:

Read rate: 5 inches per second to 50 inches per second.

Card thickness: ISO standard .030" ± .003 thick.

Operating temperature: -40°F to 167°F (-40°C to 75°C.)

Relative Humidity: 100%.

MAGNETIC STRIPE — READER



9KQ, 45HQ, EXQ
Magnetic Stripe Reader

HID Proximity Reader:

Bezel size: 2 5/8" (66mm) X 3 1/4" (82mm)

Bezel Material: High impact ABS.

ESD protection: 15 kilovolts.

Operating temperature: -31°F to 149°F (-30°C to 65°C.)

Relative Humidity: 0-95%.

Indala Proximity Reader:

Bezel size: 2 5/8" (66mm) X 3 1/4" (82mm)

Bezel Material: High impact ABS.

ESD protection: 15 kilovolts.

Operating temperature: -31°F to 149°F (-30°C to 65°C.)

Note: Can be used in direct sunlight.

PROXIMITY — READER



9KQ, 45HQ, EXQ
HID Proximity Reader or Indala
Proximity Reader

Dual Validation Reader:

Bezel size: 2 5/8" (66mm) X 3 1/4" (82mm)

Bezel Material: High impact ABS.

Keypad Material: Encapsulated elastomer.

ESD Protection: 15 kilovolts.

Keypad button operating life: 1 million cycles.

Operating temperature: -31°F to +151°F (-35°C to +66°C).

DUAL VALIDATION — READER



9KQ, 45HQ, EXQ
Dual Validation

STANLEY® WI-Q™ COMPONENTS







Portal Gateways (PG):	Part #
Portal Gateway for up to 128 Readers/Locks* with half wave dipole omnidirectional antenna (should only be used where PG is mounted in an open area (not in a ceiling or restricted signal area)	WQX-PG
Portal Gateway for up to 128 Readers/Locks* with ceiling mount omnidirectional antenna	WQX-PGC
Portal Gateway with enclosure, power supply and ceiling mount omnidirectional antenna	WQX-PG-C-B
Integrated Portal Gateway with enclosure, power supply, I/O functionality and ceiling mount omnidirectional antenna	WQX-PG-C-B-I
Portal Gateway for up to 128 Readers/Locks* with wall mount directional antenna	WQX-PG-W
Portal Gateway with enclosure, power supply and wall mount directional antenna	WQX-PG-W-B
Integrated Portal Gateway with enclosure, power supply, I/O functionality and wall mount directional antenna	WQX-PG-W-B-I
Integrated Portal Gateway with enclosure, power supply, I/O functionality and outdoor mast mount directional antenna	WQX-PG-D-B-I
Integrated Portal Gateway with enclosure, power supply, I/O functionality and outdoor mast mount omnidirectional antenna	WQX-PG-O-B-I
* Does not imply that 128 readers/locks will be within distance/RF range to connect. Total number of portal gates is based on individual system survey and requirements.	
Wireless Access Controllers (WAC):	Part #
Wireless Access Controller (WAC) with half wave dipole omnidirectional antenna (should only be used where WAC is mounted in an open area (not in a ceiling or restricted signal area)	WQX-WAC
Wireless Access Controller with ceiling mount omnidirectional antenna	WQX-WACC
Wireless Access Controller in enclosure with power supply and ceiling mount Omni-directional antenna	WQX-WAC-C-B
Wireless Access Controller with wall mount directional antenna	WQX-WACM
Wireless Access Controller in enclosure with power supply and wall mount directional antenna	WQX-WAC-W-B
Wireless Access Controller in Nema enclosure with power supply and exterior directional antenna	WQX-WAC-D-BW
Wireless Access Controller in Nema enclosure with power supply and exterior amnia directional antenna	WQX-WAC-O-BW
Power and adapters:	Part #
Plug in Transformer (wall-mount) with 6' of cable	WQD-12827
Power over Ethernet Power Supply/Inserter	WQD-12927-001
Power over Ethernet Active Splitter with Isolation	WQD-12928-001
Dial-up to Ethernet Modem	WQD-12873-001
WI-Q™ Antenna's:	Part #
2.4 GHz Interior Ceiling Mount Omnidirectional Antenna Kit*	WQD-ACMO
2.4 GHz Interior Wall mount directional antenna Kit*	WQD-AWMD
2.4GHZ Exterior directional antenna***	WQD-AEMD
2.4GHZ Exterior omnidirectional mast mount	WQD-AEMO
Exterior Antenna Grounding Kit***	WQD-AGT
Surge Protection Kit	WQD-SURG

* Antenna Kit includes: antenna, standard mount and 20' cable to connect to PG or WAC

** Antenna Kit includes: antenna, wall and post mounts and 20' cable to connect to WAC or PG

*** Grounding Kit includes: coax grounding kit and lightning arrestor




MORTISE LOCKS

45HQ	7	TV	15	MS	626	RH	
Series	Core Housing	Function Code	Lever/Knob Style	Trim Style	Finish	Door Hand	Options
45HQ – mortise wireless	0** – keyless 7 – 7 pin IC housing accepts all BEST cores	DV – latch w/key TV – deadbolt w/key LV – deadbolt w/o key NV – latch w/o key	3** – solid tube/return  4 – round knob 12 – solid tube/no return  14 – curved return  15 – contour angle return  16 – contour angle/ no return  17 – gull wing/no return 	MS – magstripe DV – dual validation (magstripe & keypad) PH – HID® proximity PM – Indala® proximity DVA – other cyl. MSA – other cyl. PHA – other cyl. PMA – other cyl.	626 630 690 Satin* 606 612 613 Bright* 605 611 625 629	RH RHRB LH LHRB	SH* – security head screws Thick door* – specify thickness TAC* – Tactile lever 7/8" LTC – Flat lip strike

DV Function: Wireless locks come with Integrated Door Hardware (IDH) as standard -Request-to-Exit (RQE), Door Position Switch (DS), Latch bolt monitor switch (LS) and Key Override Switch (KOS).

TV Function: Wireless locks come with Integrated Door Hardware (IDH) as standard -Request-to-Exit (RQE), Door Position Switch (DS), Deadbolt monitor switch (DBS) and Key Override Switch (KOS).

CYLINDRICAL LOCKS

93KQ	7	DV	15	MS	STK	626	
Series Backset	Core Housing	Function Code	Lever Style	Trim Style	Strike Package	Finish	Options
93KQ – 2-3/4" (69mm) 94KQ* – 3-3/4" (95mm) 95KQ* – 5" (127mm)	0 – keyless 6 – 6 pin non-IC cylinder 7 – 7 pin IC housing accepts all BEST cores	DV – with key override	14 – curved return  15 – contour angle return  16 – curved without return 	MS – mag stripe DV – dual validation (magstripe + keypad) PH – HID® proximity PM – Indala® proximity	STK – standard S3 – ANSI	626 690 Satin* 606 612 Bright* 605 625	LM – lost motion SH* – security head screws TAC* – tactile lever 3/4* – 3/4" (19mm) throw latch OB** – non-IC zero-bitted COR*** – non IC Corbin/Russwin MED*** – non IC Medeco SAR*** – non IC Sargent SCH*** – non IC Schlage YAL*** – non IC Yale SCHRC*** – non IC Schlage removable core (14 & 15 lever only)



Wireless locks come with Integrated Door Hardware (IDH) as standard – Request-to-Exit (RQE), Door position switch (DS) and latch bolt monitor switch (LS)

* Indicates extra cost option.

** Six-pin cylinder in Schlage "C" keyway included with OB, KA, KD options. Must specify "6" for core housing.

*** Cylinder not included with COR, MED, SAR, SCH, YAL, or SCHRC options. Must specify "0" for core housing.

EXIT TRIM

EXQ	7	EV	15	MS	626	RHR	PH2	RM	
Series	Core Housing	Function Code	Lever Style	Trim Style	Finish	Door Hand	Manufacturer	Locking Type	Options
EXQ – wireless	0** – keyless 7 – 7 pin IC housing accepts all BEST cores	EV – with key**	14 – Curved return  15 – Contour angle return 	MS – magstripe DV – dual validation (magstripe + keypad) PH – HID® proximity PM – Indala® proximity	626 690 Satin* 606 613	RHRB LHRB	VD9 – Von Duprin 98/99 series PH2 – Precision Hardware 2000 series SA8 – Sargent 8000 series***	RM – rim*** MO – mortise RD – surface and concealed vertical rods	SH* – security head screws Thick Door* – specify thickness

Wireless locks come with door position switch (DS) and connector/input to connect to Request-to-Exit (RQE) switch inside exit device.

Latch switch monitoring capability is available for Precision Exit devices that include the latch monitor option.

* Indicates extra cost option. ** The EV function (key override) is not available on the Von Duprin mortise type or Sargent rim type device.

*** SA8 Only available with rim type device.

WIRELESS CONVERSION KITS

Series	
WQDNKT-1 – Cylindrical wireless upgrade kit	Kit to convert a B.A.S.I.S.® 9K V/G stand-alone lockset to a Stanley® Wi-Q™ Wireless Lockset. Note: Kit includes a new 9K chassis with new motor, RQE hub and door position switch.
WQDNKT-2 – Mortise DV function (without deadbolt) wireless upgrade kit with alarm functionality	Kit to convert a B.A.S.I.S.® 35H V/G or B.A.S.I.S.® 45H V/G stand-alone lockset to a Stanley® Wi-Q™ Wireless Lockset. Note: Kit also contains a new 45H DV mortise case which includes RQE, Door Position Switch, Latch Position Switch, and Key Override Sensor to provide full alarm functionality.
WQDNKT-3 – Mortise TV function (with deadbolt) wireless upgrade kit with alarm functionality	Kit to convert a B.A.S.I.S.® 35H V/G or B.A.S.I.S.® 45H V/G stand-alone lockset to a Stanley® Wi-Q™ Wireless Lockset. Note: Kit also contains a new 45H TV mortise case which includes RQE, Door Position Switch, Deadbolt Position Switch, and Key Override Sensor to provide full alarm functionality.

Upgrade kits must be installed by a Stanley Security Solutions technician for warranty purposes.

Hardware Features

STANLEY® Security Solutions	Power		Hardware Programming		User Information			Keypad/Reader Type						Miscellaneous			Decision Location		
	Battery Operated	Program w/PDA	Program w/laptop @ door	Program w/computer @ central location	# of Users per lock	Audit Trail Function	# of Time Zones	Key Override Capability	Key Pad Reader	Length of Pin #s	Mag Stripe Reader	Prox. Reader	Mag/Pin	Prox/Pin	Exit Trim Available	Control for offline electrified locks	Control for online electrified locks	Decisions made at Controller	Decisions made at Reader
Keypad EZ	X				50		0	X	X	3-6					X				X
IDH Max®					Software Controlled	Software Controlled	Software Controlled	X	X	Software Controlled	X	X	X				Software Controlled	X	
OP2000	X	X				X		X	X		X	X	X	X					X
B.A.S.I.S.® G	X	X			5K	X	4	X	X	4	X		X		X				X
B.A.S.I.S.® V	X	X			5K	X	32	X	X	4	X	X	X		X				X
NT500 Offline Battery Operated	X	X	X		5K	X	100	X	X	4-9	X	X	X		X	X			X
NT500 Offline AC512	X	X	X		40K	X	100	X	X	4-9	X	X	X	X		X			X
NT500 Online				X	40K	X	100	X	X	4-9	X	X	X	X			X		X
B.A.S.I.S.® Online				X	Unlimited	X	32K	X	X	4-9	X	X	X	X			X	X	
Stanley® Wireless	X			X	65K	X	144	X	X	4-6	X	X	X	Coming Soon	X		X		X

Software Features

STANLEY® Security Solutions	Database Integration Capable	Real Time Monitoring of Door Status	System Wide Lockdown	ID Badging Module	CCTV Module	CCTV Integration	Offline Management	Online Management	Wireless Management	Guest Housing Ability	Offline Reader Capacity	Online Reader Capacity	# of Clients
Keypad EZ													
IDH Max®		X	X					X				X	Software Controlled
OP2000							X				X		
B.A.S.I.S.® G	X						X			X	Unlimited		Unlimited
B.A.S.I.S.® V	X						X				Unlimited		Unlimited
NT500 Offline Battery				X			X				Unlimited		1-5
NT500 Offline AC512				X			X				Unlimited		1-6
NT500 Online		X	X	X	X		X	X			Unlimited	1000	1-5
B.A.S.I.S.® Online	X	X	X	X		X	X	X		X	Unlimited	Unlimited	Unlimited
B.A.S.I.S.® Wireless	X	X	X	X	X	X	X	X	X	X	Unlimited	Unlimited	Unlimited
Stanley® Wi-Q™ Control Software	X	X	X					X	X			1000	100

Stanley Security Solutions, Inc.

6161 E. 75th Street Indianapolis, Indiana 46250

© 2011 Stanley Security Solutions, Inc. • www.stanleysecuritysolutions.com

10M 4 11
BAS037