

**INSTALLATION INSTRUCTIONS** (SEE FIG. 1)

1. PREPARE DOOR JAMB/STILE PER DRAWING.
2. INSTALL MOUNTING CLIPS TO JAMB/STILE USING 8-32 X 3/8 SCREWS & PRESSED METAL NUTS. LEAVE SCREWS SLIGHTLY LOOSE TO PERMIT EASY ALIGNMENT OF CASE ASSEMBLY & CLIPS.
3. SPACERS ARE PROVIDED TO ASSURE FLUSH FINAL ASSEMBLY OF FACE PLATE & JAMB/STILE. ADD ONE OR MORE SPACERS BETWEEN JAMB/STILE & MOUNTING CLIP WHEN FACE PLATE EXTENDS BEYOND THE JAMB/STILE. WHEN THE FACE PLATE SETS INSIDE THE JAMB/STILE, SPACERS MUST BE ADDED BETWEEN THE MOUNTING CLIP & THE ELECTRIC STRIKE FACE PLATE. SEE DETAIL "A" TO ATTACH SPACER TO MOUNTING CLIP. REMOVE PROTECTIVE COATING FROM SPACER & PRESS TO DESIRED MOUNTING CLIP SURFACE. MAKE SURE CLEARANCE HOLE IN SPACER ALIGNS WITH HOLE IN MOUNTING CLIP.
4. ATTACH SUBCOVER AND FACE PLATE TO THE CASE ASSEMBLY USING TWO 8-32 X 1/4 SCREWS.
5. USING WIRE NUTS PROVIDED, CONNECT WIRES COMING FROM THE STRIKE TO THE WIRES COMING FROM THE LOW VOLTAGE SIDE OF THE TRANSFORMER.
6. INSERT ELECTRIC STRIKE INTO JAMB AND ATTACH TO THE CLIPS USING TWO #12 COMBINATION SCREWS.
7. SECURE 8-32 MOUNTING CLIP SCREWS HOLDING MOUNTING TO JAMB.

| STATIC STRENGTH | DYNAMIC STRENGTH | ENDURANCE      |
|-----------------|------------------|----------------|
| 1500 LBS.       | 70 FT-LB FORCE   | 500,000 CYCLES |

**7400 ALUMINUM DOOR JAMBS**

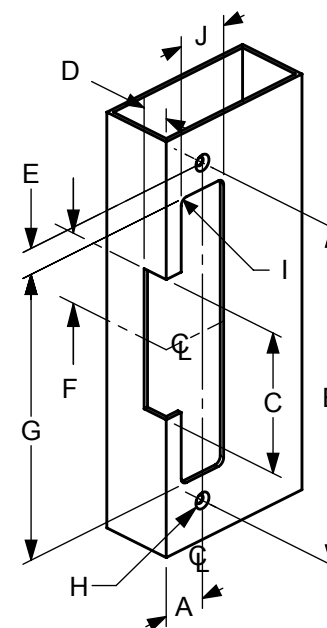
| MEASUREMENT | FRACTIONAL INCHES       | DECIMAL INCHES |
|-------------|-------------------------|----------------|
| DOOR        |                         |                |
| A           | CENTERLINE TO JAMB EDGE |                |
| B           | 6 1/8                   | 6.125          |
| C           | 3 3/8                   | 3.375          |
| D           | 21/32                   | .656           |
| E           | 5/8                     | .625           |
| F           | 1 11/16                 | 1.688          |
| G           | 4 7/8                   | 4.875          |
| H           | 8-32                    |                |
| I           | 5/32                    | .156           |
| J           | 1 1/4                   | 1.250          |

**7410 ALUMINUM JAMBS**

| MEASUREMENT | FRACTIONAL INCHES       | DECIMAL INCHES |
|-------------|-------------------------|----------------|
| DOOR        |                         |                |
| A           | CENTERLINE TO JAMB EDGE |                |
| B           | 9 3/16                  | 9.1875         |
| C           | 3 3/8                   | 3.375          |
| D           | 21/32                   | .656           |
| E           | 5/8                     | .625           |
| F           | 1 11/16                 | 1.688          |
| G           | 7 31/32                 | 7.969          |
| H           | 12-24                   |                |
| I           | 5/32                    | .156           |
| J           | 1 7/16                  | 1.4375         |

**7430 ALUMINUM DOOR JAMBS**

| MEASUREMENT | FRACTIONAL INCHES       | DECIMAL INCHES |
|-------------|-------------------------|----------------|
| DOOR        |                         |                |
| A           | CENTERLINE TO JAMB EDGE |                |
| B           | 8 1/8                   | 8.125          |
| C           | 3 3/8                   | 3.375          |
| D           | 21/32                   | .651           |
| E           | 5/8                     | .625           |
| F           | 1 11/16                 | 1.688          |
| G           | 6 7/8                   | 6.875          |
| H           | 8-32                    |                |
| I           | 5/32                    | .156           |
| J           | 1 1/4                   | 1.250          |

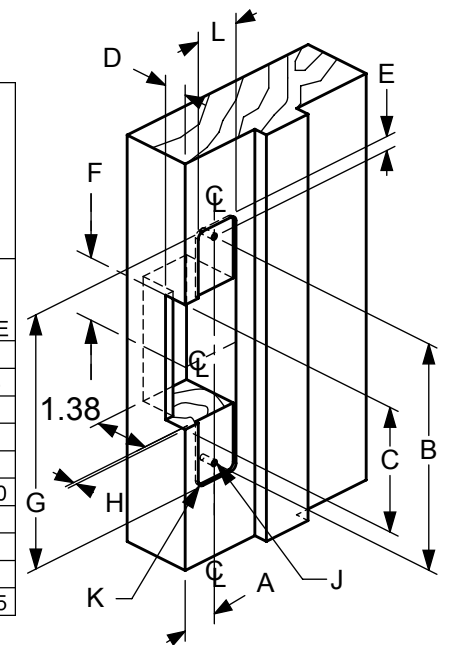


**7410 WOOD JAMBS**

| MEASUREMENT | FRACTIONAL INCHES       | DECIMAL INCHES |
|-------------|-------------------------|----------------|
| DOOR        |                         |                |
| A           | CENTERLINE TO JAMB EDGE |                |
| B           | 7 7/16                  | 7.4375         |
| C           | 3 3/8                   | 3.375          |
| D           | 21/32                   | .656           |
| E           | 1/4                     | .250           |
| F           | 1 7/16                  | 1.4375         |
| G           | 7 15/16                 | 7.9375         |
| H           | 3/32                    | .09375         |
| J           | 12-24                   |                |
| K           | 5/32                    | .156           |
| L           | 1 7/16                  | 1.4375         |

**7411 WOOD JAMBS**

| MEASUREMENT | FRACTIONAL INCHES       | DECIMAL INCHES |
|-------------|-------------------------|----------------|
| DOOR        |                         |                |
| A           | CENTERLINE TO JAMB EDGE |                |
| B           | 9 29/64                 | 9.453          |
| C           | 3 3/8                   | 3.375          |
| D           | 21/32                   | .656           |
| E           | 3/8                     | .375           |
| F           | 1 11/16                 | 1.688          |
| G           | 10 1/4                  | 10.250         |
| H           | 1/8                     | .125           |
| J           | 12-24                   |                |
| K           | 5/32                    | .156           |
| L           | 1 7/16                  | 1.4375         |

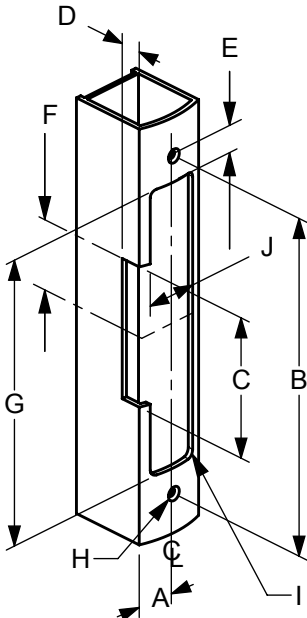


**7401 ALUMINUM STILE**

| MEASUREMENT | FRACTIONAL INCHES       | DECIMAL INCHES |
|-------------|-------------------------|----------------|
| DOOR        |                         |                |
| A           | CENTERLINE TO JAMB EDGE |                |
| B           | 6 1/8                   | 6.125          |
| C           | 3 3/8                   | 3.375          |
| D           | 21/32                   | .656           |
| E           | 5/8                     | .625           |
| F           | 1 11/16                 | 1.6875         |
| G           | 4 7/8                   | 4.875          |
| H           | 8-32                    |                |
| I           | 5/32                    | .156           |
| J           | 1 1/4                   | 1.25           |

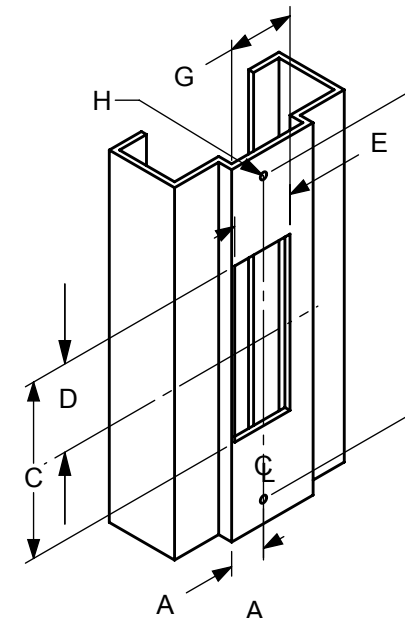
**7431 ALUMINUM STILE**

| MEASUREMENT | FRACTIONAL INCHES       | DECIMAL INCHES |
|-------------|-------------------------|----------------|
| DOOR        |                         |                |
| A           | CENTERLINE TO JAMB EDGE |                |
| B           | 8 1/8                   | 8.125          |
| C           | 3 3/8                   | 3.375          |
| D           | 21/32                   | .656           |
| E           | 5/8                     | .625           |
| F           | 1 11/16                 | 1.6875         |
| G           | 6 7/8                   | 6.875          |
| H           | 8-32                    |                |
| I           | 5/32                    | .156           |
| J           | 1 1/4                   | 1.25           |



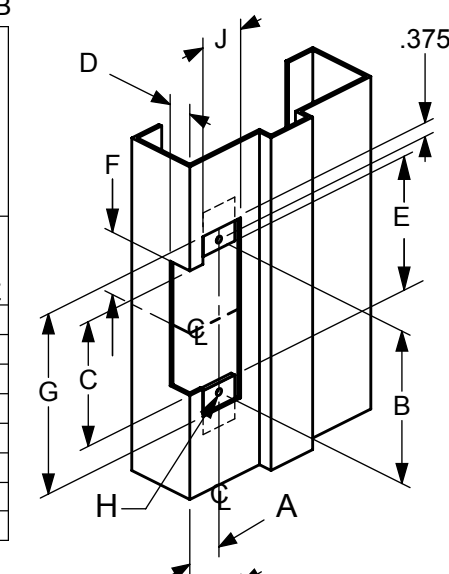
**74R1 STRIKE**

| MEASUREMENT | FRACTIONAL INCHES | DECIMAL INCHES |
|-------------|-------------------|----------------|
| A           | 15/16             | .9375          |
| B           | 8 1/4             | 8.250          |
| C           | 4 1/2             | 4.500          |
| D           | 2 1/4             | 2.250          |
| E           | 1 5/8             | 1.625          |
| G           | 1 23/32           | 1.719          |
| H           | Ø 3/16            |                |



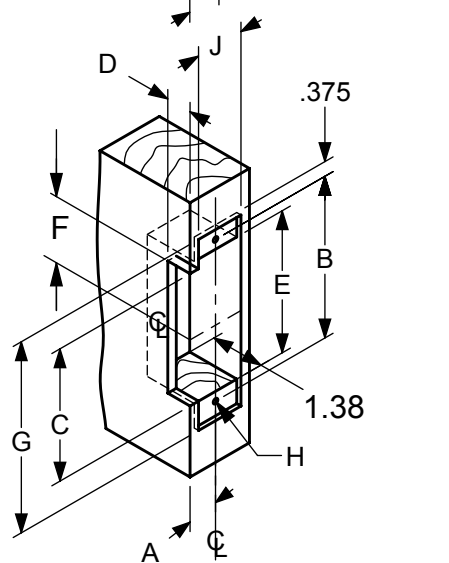
**7440 METAL JAMB**

| MEASUREMENT | FRACTIONAL INCHES       | DECIMAL INCHES |
|-------------|-------------------------|----------------|
| DOOR        |                         |                |
| A           | CENTERLINE TO JAMB EDGE |                |
| B           | 4 1/8                   | 4.125          |
| C           | 3 3/8                   | 3.375          |
| D           | 21/32                   | .656           |
| E           | 3 5/8                   | 3.625          |
| F           | 1 11/16                 | 1.6875         |
| G           | 4 7/8                   | 4.875          |
| H           | 8-32                    |                |
| J           | 1 1/4                   | 1.25           |



**7440 WOOD DOOR\***

| MEASUREMENT | FRACTIONAL INCHES       | DECIMAL INCHES |
|-------------|-------------------------|----------------|
| DOOR        |                         |                |
| A           | CENTERLINE TO JAMB EDGE |                |
| B           | 4 1/8                   | 4.125          |
| C           | 3 3/8                   | 3.375          |
| D           | 1 23/32                 | 1.718          |
| E           | 3 5/8                   | 3.625          |
| F           | 1 11/16                 | 1.6875         |
| G           | 4 7/8                   | 4.875          |
| H           | 8-32                    |                |
| J           | 1 1/4                   | 1.25           |



\* REQUIRES WDC7400

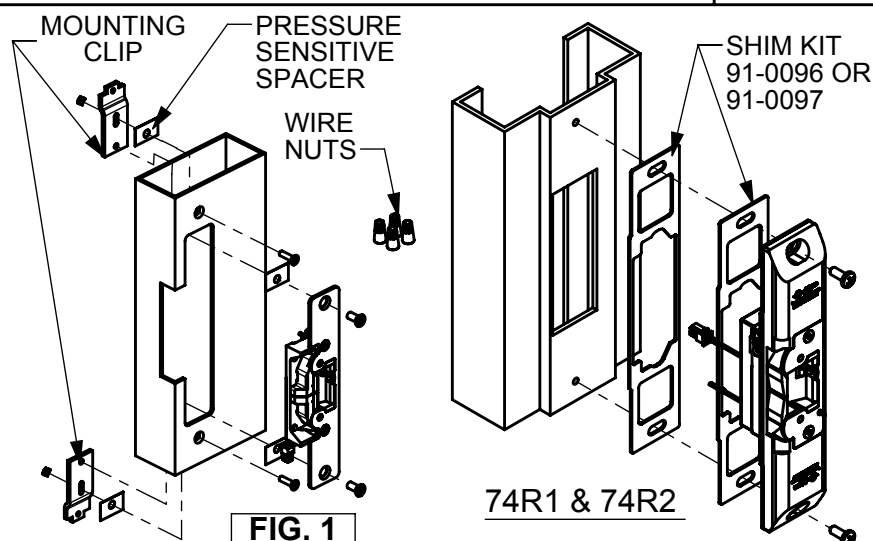


FIG. 1

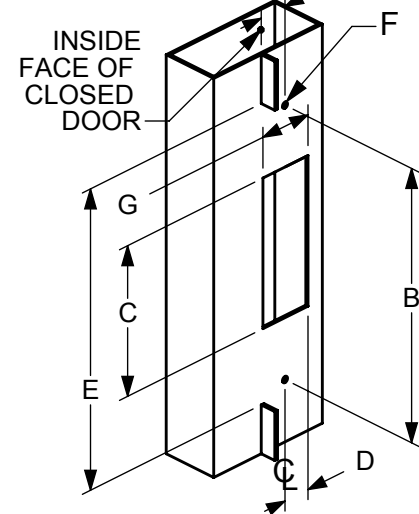
**FOR EXTENDED LIP:  
(DIM "A" DOOR TO JAMB EDGE)**

| DASH NO. | DIM "A" | DASH NO. | DIM "A" |
|----------|---------|----------|---------|
| NONE     | 1.06    | -08      | 2.38    |
| -01      | 1.50    | -09      | 2.50    |
| -02      | 1.63    | -10      | 2.63    |
| -03      | 1.75    | -11      | 2.75    |
| -04      | 1.88    | -12      | 2.88    |
| -05      | 2.00    | -13      | 3.00    |
| -06      | 2.13    |          |         |
| -07      | 2.25    |          |         |

**PRODUCT MUST BE INSTALLED  
ACCORDING TO ALL APPLICABLE  
BUILDING AND LIFE SAFETY CODES**

**74R2 METAL JAMB**

| MEASUREMENT | FRACTIONAL INCHES | DECIMAL INCHES |
|-------------|-------------------|----------------|
| A           | 7/8               | .875           |
| B           | 8 1/4             | 8.25           |
| C           | 4 1/2             | 4.50           |
| D           | 21/32             | .656           |
| E           | 9 1/16            | 9.063          |
| F           | 8-32              |                |
| G           | 1 5/8             | 1.625          |



**NOTES:**

**FAIL-SECURE OPERATION ( AS SHIPPED )**  
UNLOCKS WHEN ENERGIZED. IF POWER FAILS THE, STRIKE REMAIN IN LOCKED POSITION.

**FAIL-SAFE OPERATION (FIELD SELECTABLE)**  
LOCKS WHEN ENERGIZED. USED IN APPLICATIONS REQUIRING AUTOMATIC UNLOCKING IN CASE OF POWER FAILURE.

**AVAILABLE VOLTAGES**

12V AC INTERMITTENT DUTY, 12V DC CONTINUOUS DUTY,  
16V AC INTERMITTENT DUTY, \*16V DC CONTINUOUS DUTY,  
24V AC INTERMITTENT DUTY, 24V DC CONTINUOUS DUTY.

(\* REQUIRES 16 VOLT ADAPTOR )

**CURRENT DRAW**

| VOLTS  | AMPS |
|--------|------|
| 12 VDC | .440 |
| 12 AC  | .163 |
| 24 DC  | .230 |
| 24 AC  | .084 |
| 16 DC  | .458 |
| 16 AC  | .228 |

**WARNING!**

AC INTERMITTENT DUTY SOLENOIDS ARE DESIGNED TO BE ENERGIZED 30 SECONDS AT A TIME MAXIMUM. ENERGIZING FOR LONGER PERIODS WILL DAMAGE THE SOLENOID

**WIRING**

THE NUMBER OF WIRES WILL VARY DEPENDING ON FEATURES OF THE STRIKE. THE VOLTAGE AND AMPERAGE RATINGS ARE MARKED ON ALL STRIKE LABELS. THE SOLENOID WIRES ARE NOT POLARIZED.

**MONITORING (OPTIONAL)**

MONITORED STRIKES CONTAIN TWO, INTERNALLY MOUNTED, SWITCHES: ONE IS ACTIVATED BY THE LATCH BOLT'S PENETRATION OF THE STRIKE AND THE OTHER INDICATES THE ENERGIZED LOCK/UNLOCKED STATUS OF THE SOLENOID.

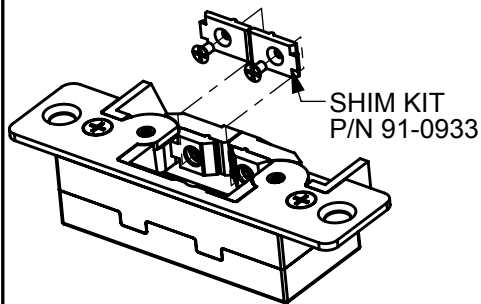
ALL UNUSED LEADS FROM MONITOR SWITCHES SHOULD BE INSULATED.

- COMMON CONTACT - BLACK
- NORMALLY OPEN CONTACT (NO) - WHITE
- NORMALLY CLOSED CONTACT (NC) - RED
- MAXIMUM SWITCHING CURRENT - 5 AMPS @ 250 VAC

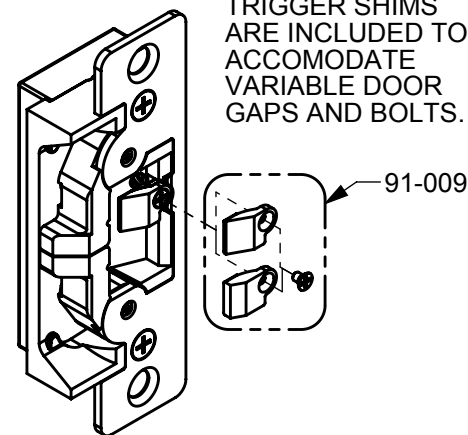
**WARNING!**

INTERMITTENT DUTY SOLENOIDS SHOULD NOT BE CONVERTED TO FAIL-SAFE CONFIGURATION. FAIL SAFE UNITS SHOULD ONLY BE OPERATED WITH DC POWER

SHIM PLATES ARE PRE-INSTALLED AT THE FACTORY. A THINNER SET OF SHIMS IS ALSO INCLUDED. IF NECESSARY, THE SHIMS CAN BE REMOVED ALTOGETHER TO CORRECT MISALIGNMENTS BETWEEN STRIKE AND LATCH.



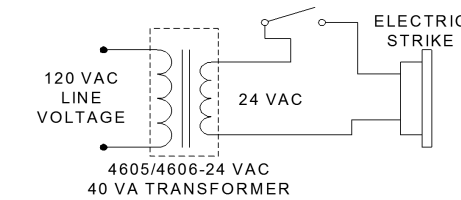
**MONITORED VERSION ONLY**



TWO ADDITIONAL TRIGGER SHIMS ARE INCLUDED TO ACCOMODATE VARIABLE DOOR GAPS AND BOLTS.

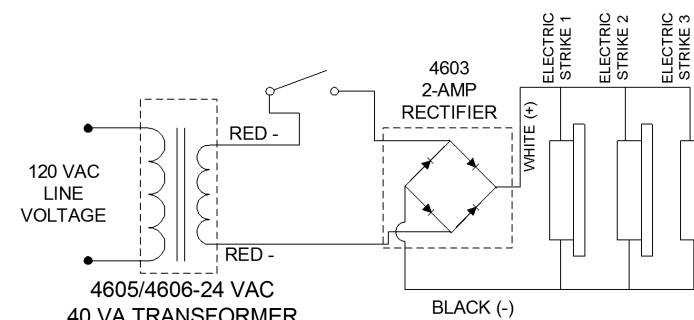
Control Switch (N.O.)  
(ex. Pushbutton, keypad, Card Reader)

**DRY CONTACTS!**



**TYPICAL ELECTRIC STRIKE WIRING DIAGRAM INTERMITTENT DUTY FAIL-SECURE 24 VAC**

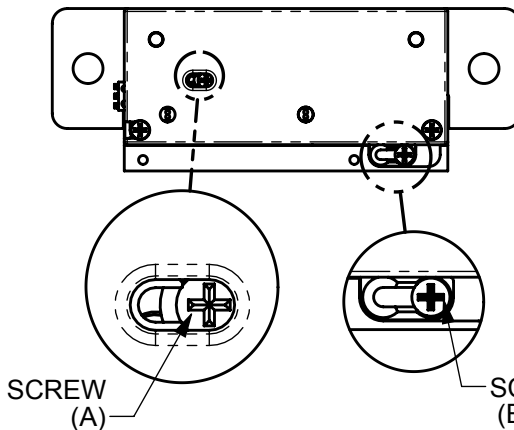
Control Switch (N.O.)  
(ex. Pushbutton, keypad, Card Reader) **DRY CONTACTS!**



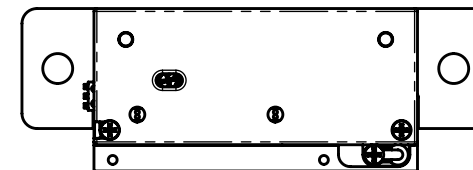
**TYPICAL ELECTRIC STRIKE WIRING DIAGRAM INTERMITTENT/CONTINUOUS DUTY 24 VDC**

**FIELD REVERSIBLE (FAIL SECURE) TO FAIL SAFE**

**FAIL SECURE CONFIGURATION**



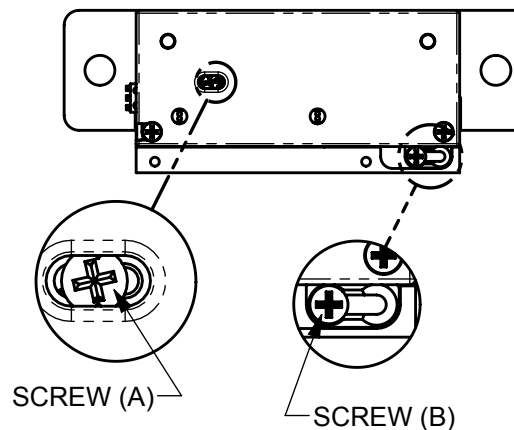
**FAIL SAFE**



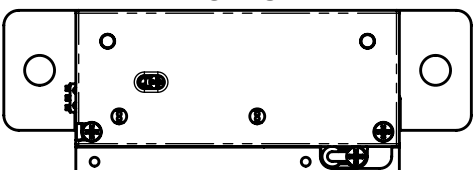
- FAIL SECURE TO FAIL SAFE**
- STEP 1** LOOSEN SCREW (A) APPROXIMATELY 2 ROTATIONS, SLIDE SCREW TO THE LEFT AND TIGHTEN.
  - STEP 2** LOOSEN SCREW (B) APPROXIMATELY 2 ROTATIONS, MOVE THE SLIDE TO THE RIGHT AND TIGHTEN. (DO NOT REMOVE SCREWS)

**FIELD REVERSIBLE (FAIL SAFE) TO FAIL SECURE**

**FAIL SAFE CONFIGURATION**



**FAIL SECURE**

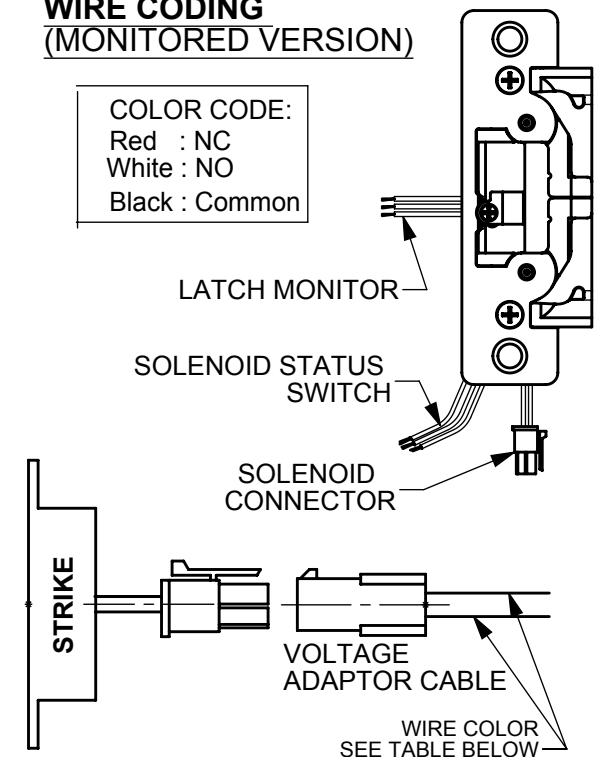


- FAIL-SAFE TO FAIL-SECURE**
- STEP 1** LOOSEN SCREW (B) APPROXIMATELY 2 ROTATIONS, AND MOVE THE SLIDE TO THE LEFT AND TIGHTEN (DO NOT REMOVE SCREWS).
  - STEP 2** LOOSEN SCREW (A) APPROXIMATELY 2 ROTATIONS AND SLIDE SCREW TO RIGHT AND TIGHTEN.

**PRODUCT MUST BE INSTALLED ACCORDING TO ALL APPLICABLE BUILDING AND LIFE SAFETY CODES**

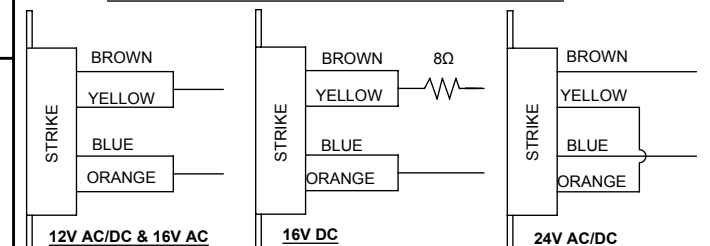
**WIRE CODING (MONITORED VERSION)**

**COLOR CODE:**  
Red : NC  
White : NO  
Black : Common



| VOLTAGE ADAPTOR CABLE       |            |                  |
|-----------------------------|------------|------------------|
| P/N#                        | WIRE COLOR | APPLICATION      |
| VA7400-12                   | BLACK      | 12VAC/DC & 16VAC |
| VA7400-24                   | RED        | 24VAC/DC         |
| VA7400-16VDC (OPTIONAL KIT) | WHITE      | 16VDC            |

**SOLENOID WIRING DIAGRAM**



**FOR WOOD DOOR APPLICATIONS**

THE SPACER IS DESIGNED TO SIMPLIFY MORTISING ON WOOD DOOR APPLICATIONS

SPACER ASSY OPTIONAL KIT P/N WDC7400

