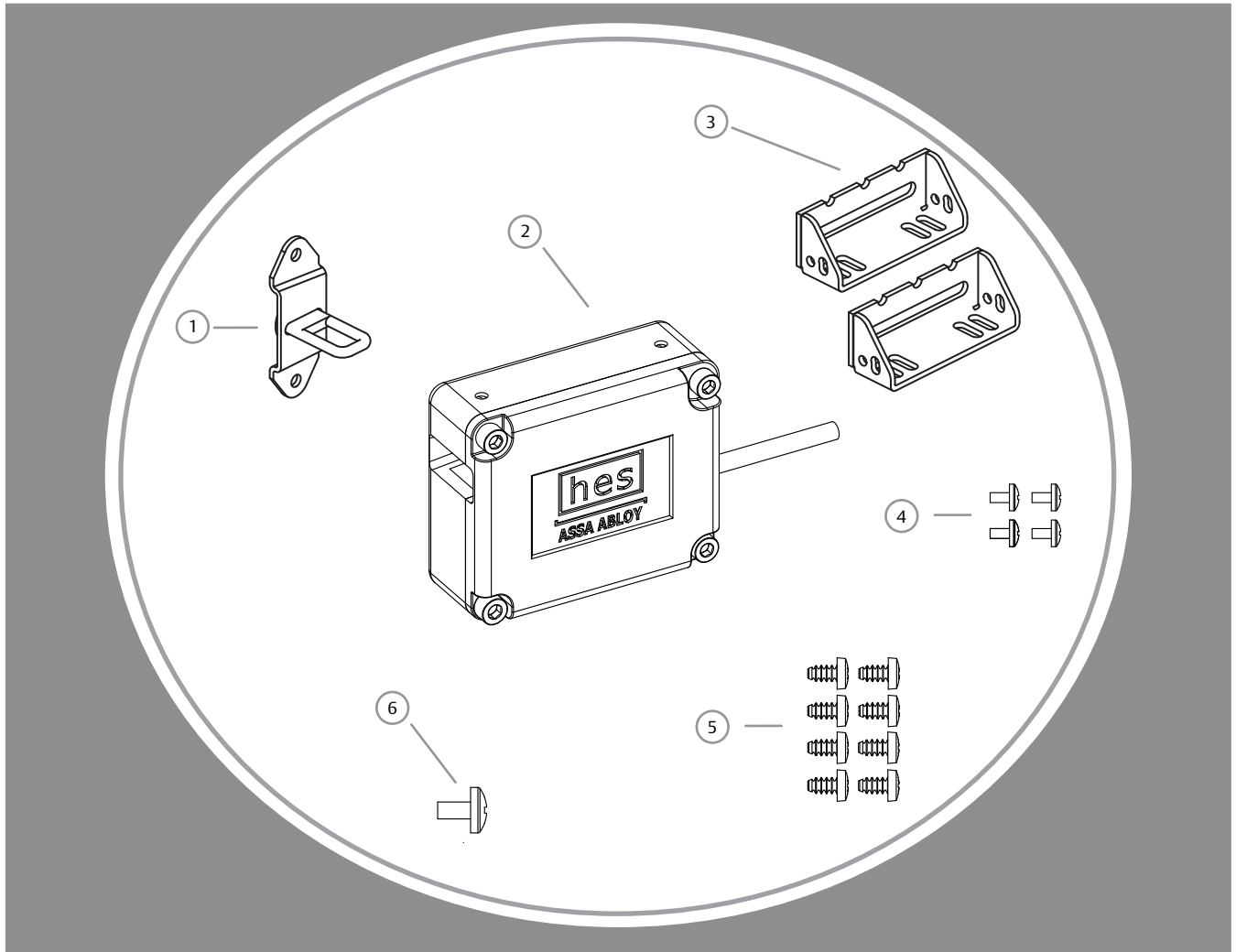


Product Components

- ① Hook Bracket Assembly
- ② 660 Multi-Purpose Lock Body
- ③ Lock Mounting Brackets
- ④ #6-32 X 3/16" Screws
- ⑤ #10 X 1/2" Screws
- ⑥ #8-32 X 5/8" Screw



Electrical Specifications

ELECTRICAL RATINGS FOR SOLENOID	CONTINUOUS DUTY STANDARD		INTERMITTENT DUTY PRELOAD		MINIMUM WIRE GAUGE REQUIREMENTS		
	12VDC	24VDC	12VDC	24VDC	SOLENOID VOLTAGE	12VDC	24VDC
Operating Voltage +/- 10%	12VDC	24VDC	12VDC	24VDC	200 feet or less	14 gauge	18 gauge
Resistance in Ohms	48	192	17	67.8	200 - 300 feet	12 gauge	18 gauge
Watts Seated	3	3	8.4	8.4	300 - 400 feet	12 gauge	16 gauge
Amps Seated	250mA	125mA	700mA	350mA			

Installation Directions

CAUTION! Before connecting any device at the installation site, verify input voltage using a multimeter. Many power supplies and low voltage transformers operate at higher levels than listed. Any input voltage exceeding 10% of the solenoid rating may cause severe damage to the unit and will void the warranty.

WARNING: The Multi-Purpose Lock Body must be wired to a power source prior to insertion of the Hook Bracket Assembly. Failure to do so may result in a permanently locked cabinet/drawer.

Prepare Lock

1. Attach both Lock Mounting Brackets to the Multi-Purpose Lock Body using four #6-32 x 3/16" screws as illustrated in Diagram 1.

2. To prevent accidental capture of the Hook Bracket Assembly prior to the Multi-Purpose Lock Body being wired, gently thread the #8-32 X 5/8" screw into the #8-32 threaded hole depicted in Diagram 2. The #8-32 X 5/8" screw must only be tightened snug by hand.

When installed the #8-32 X 5/8" screw will prevent the capture of the Hook Bracket Assembly by the Multi-Purpose Lock Body. When wiring is complete, remove the #8-32 X 5/8" screw. The Multi-Purpose Lock Body will now be able to capture and electrically release the Hook Bracket Assembly.

Prepare Cabinet/Drawer

3. Drill four 1/16" diameter pilot holes in the cabinet using the Mounting Template on page 3, and mount the Multi-Purpose Lock Body to the inside of the cabinet/drawer using four #10 X 1/2" screws.

4. Refer to Diagram 4 on page 3 to connect power to the Multi-Purpose Lock Body. If your Multi-Purpose Lock is equipped with the RJ-45 option, a diagram for pin assignments is also provided on page 3, Diagram 4. If applicable, the LBSM should also be electrically connected at this time. Remove the #8-32 X 5/8" screw installed in step 2. Verify catch and release of the unmounted Hook Bracket Assembly after power is connected.

5. Mark mounting holes for the Hook Bracket Assembly as illustrated on page 4, Diagram 5. Drill two 1/16" X 1/2" deep pilot holes for the Hook Bracket Assembly, and mount the Hook Bracket Assembly using two #10 X 1/2" screws.

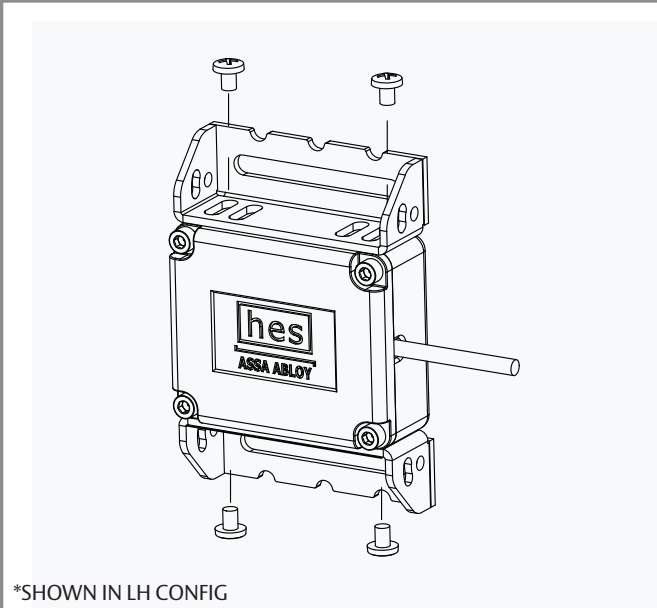
Finish Installing

6. If lock body adjustment is needed to ensure a smooth capture and release of the hook bracket assembly, loosen the #10 X 1/2" and #6-32 X 3/16" screws to adjust the Multi-Purpose Lock Body until desired clearance is reached.

7. If additional stability is desired, drill two 1/16" pilot holes and use two remaining #10 X 1/2" screws for final lockdown of the Multi-Purpose Lock Body as illustrated in Diagram 6, on Page 4.

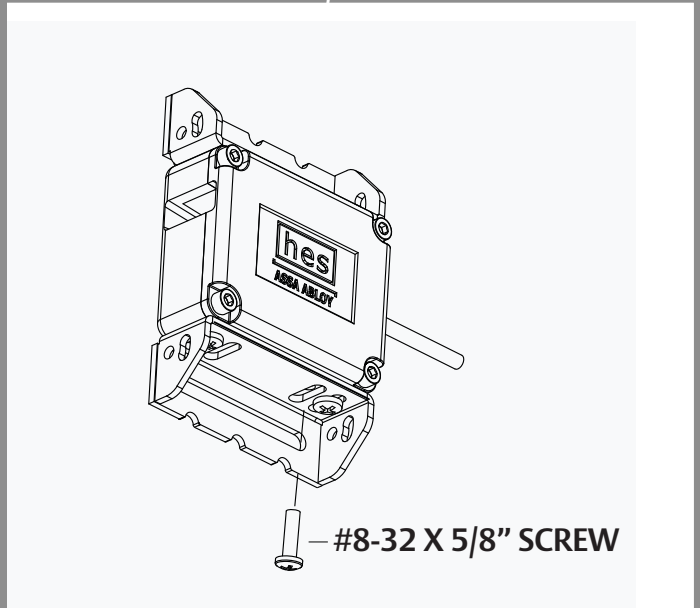
8. If the optional key override is used, prepare the cabinet/drawer as illustrated in Diagram 7, on Page 4.

DIAGRAM 1: MOUNTING BRACKET INSTALLATION



*SHOWN IN LH CONFIG

DIAGRAM 2: #8-32 X 5/8" SCREW INSTALLATION



#8-32 X 5/8" SCREW

DIAGRAM 3: MOUNTING TEMPLATE

Model 660 Mounting Template

Align dotted line with outer edge of cabinet.
Tape Model 660 Mounting Template to inside surface of cabinet.

Drill four 1/16" holes through paper template.

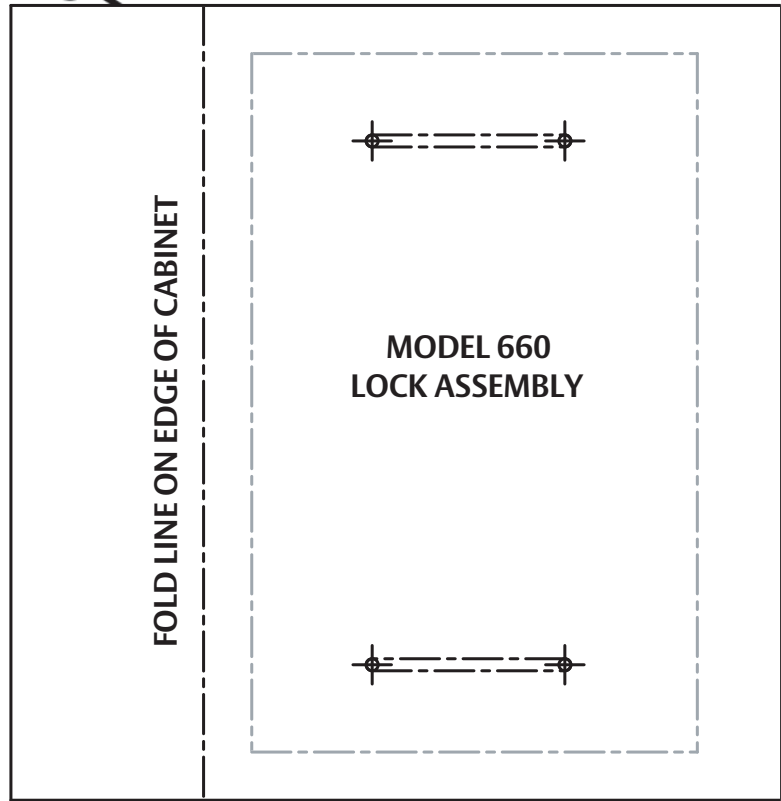
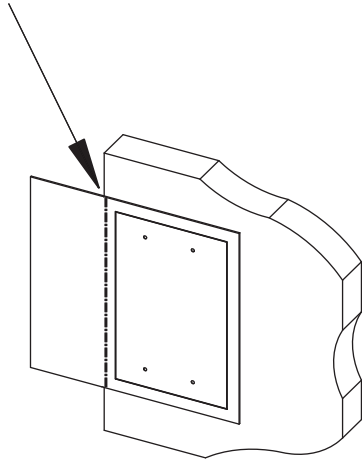
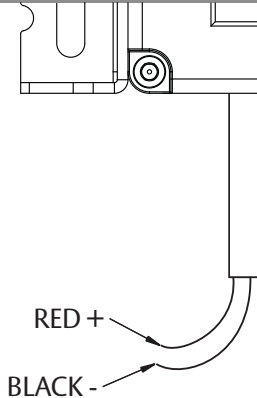


DIAGRAM 4: POWER & LBSM SWITCH WIRING

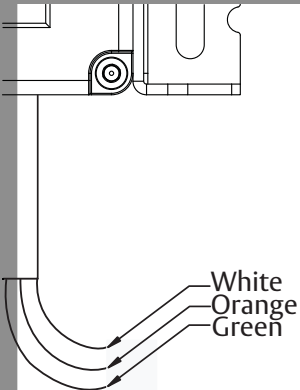
RJ-45 OPTION

POWER WIRING*	
RED	Positive +
BLACK	Negative -

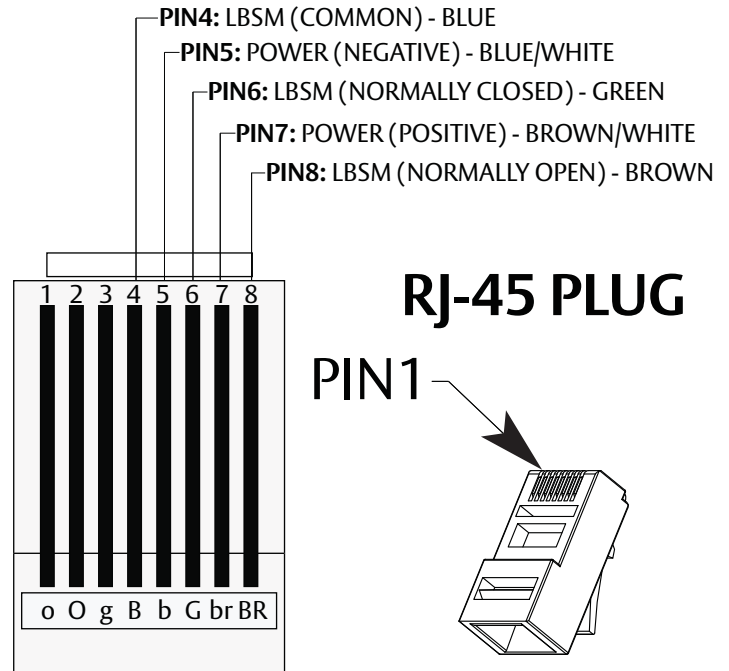
*CAUTION! The Multi-Purpose Lock Body is provided as either a 12 or 24 volt unit. Verify the power supply output before operating this device.



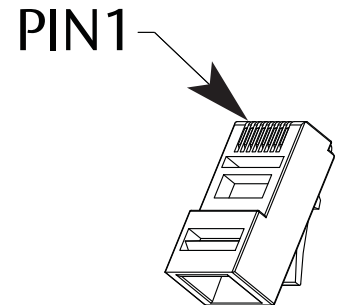
LBSM WIRING*	
White	Common
Orange	Normally Open
Green	Normally Closed



*If applicable



RJ-45 PLUG



Clip is pointed away from you

DIAGRAM 5: HOOK BRACKET INSTALLATION

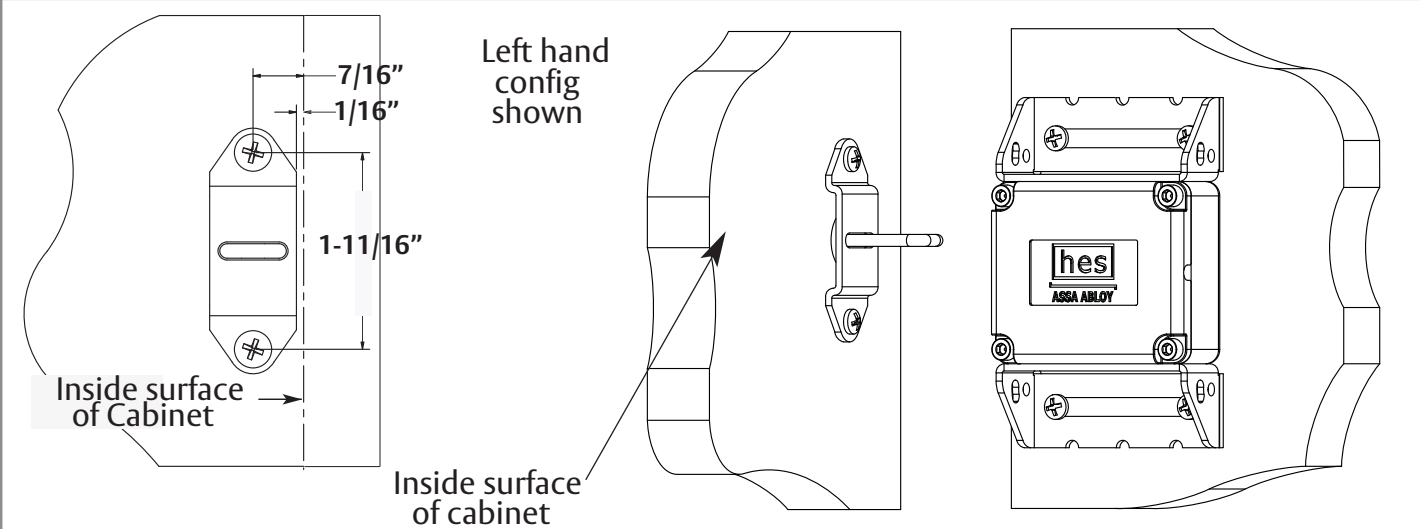


DIAGRAM 6: FINAL LOCKDOWN

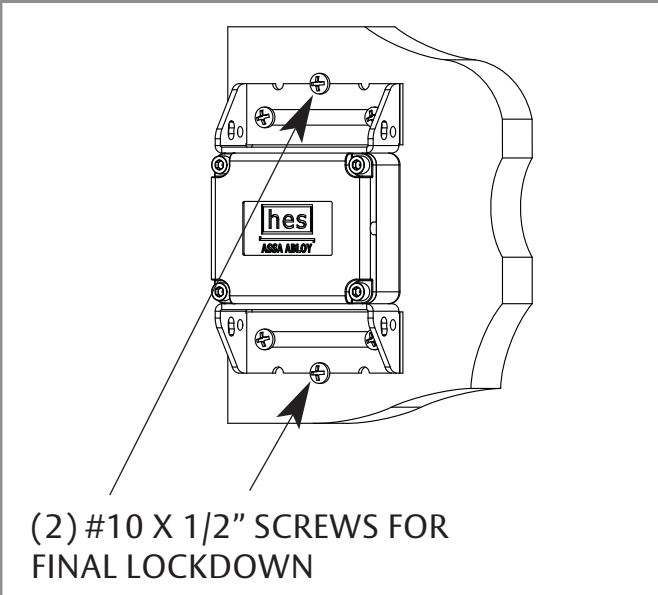


DIAGRAM 7: OPTIONAL KEY OVERRIDE

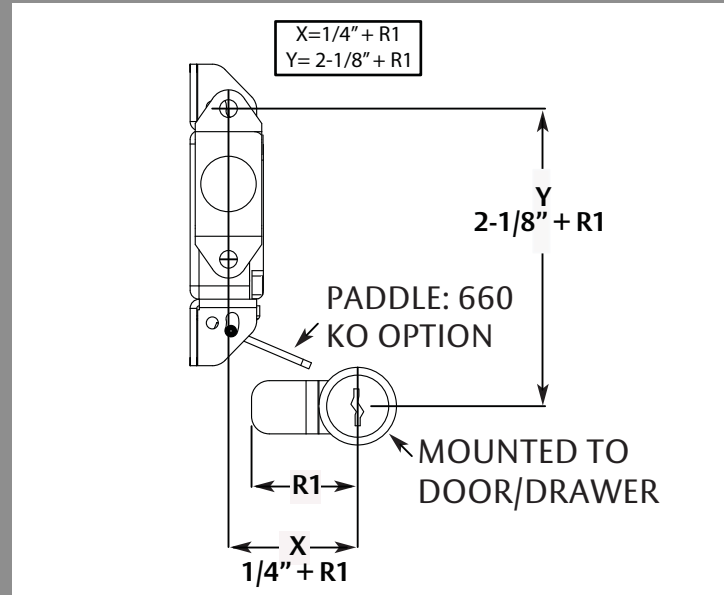


DIAGRAM 8: DIMENSIONS

