



KS100-640H with Aperio hub

Protect servers from malicious or accidental tampering without adding another credential.

The HES KS100-640H server cabinet lock and pre-paired Aperio hub tie to an existing electronic access control system using Wiegand wiring. This convenient system brings real-time access control in a single-card system to individual server cabinet doors, greatly improving the monitoring and security level of each server cabinet. It uses existing ID badges so there are no keys to control or replace and no codes to secure or remember.

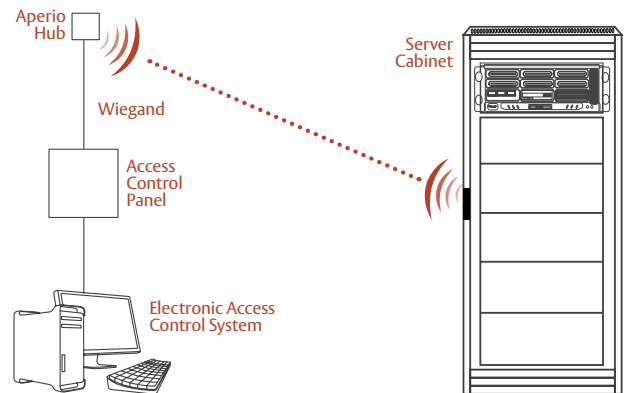


KS100-640H

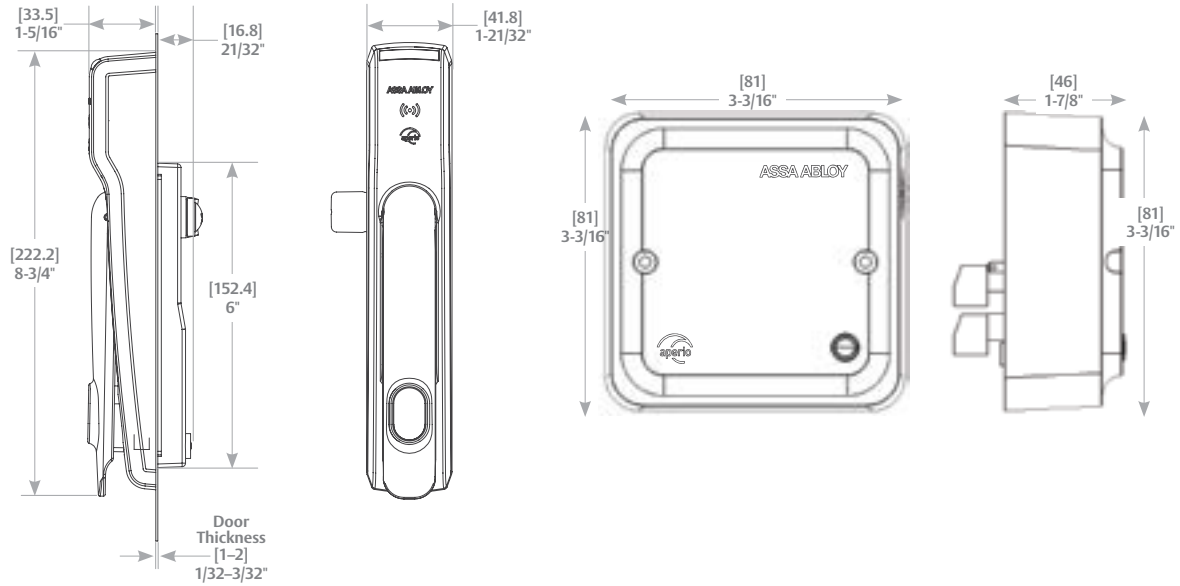
Server Cabinet Lock and Aperio® Hub Wireless possibilities for server cabinet protection

Specifications

- Operating temperature +32 to +122F [0 to +50C]
- FCC Part 15 and Industry Canada compliant



KS100-640 with green & red LED



KS100 Features & Benefits

- Easy-to-install
 - » Designed for standard 25mm x 150mm server lock opening
 - » For use on left hand or right hand doors
 - » No drilling or metal fragments
 - » Retrofit onto most cabinets without cutting or pulling wire
- Uses existing ID badges
 - » Two models are available to support low frequency of high frequency cards
 - Low frequency model supports PROX and EM PROX
 - High frequency model supports iCLASS, SEOST™, iCLASS SE, ISO14443B UID, Mifare, Mifare Plus, Desfire SE, Desfire EV1, NFC
- Hardwired power via standard, IEEE 802.3af, 48VDC Power over Ethernet (PoE)
 - » Low energy use
 - » Does not require batteries or battery changes, lowering maintenance costs
 - » PoE Injector not included

- High security asset protection with audit control
 - » Server cabinet door and lock status monitoring for regulatory compliance
 - » Online transaction audit trail capabilities and improved incident reporting without adding another system
 - » Real time alerts with extendable DPS circuit capable of covering multiple doors and panels
- SFIC (small format interchangeable core) key override allows secure manual unlock capability
 - » SFIC not included
- Ideal for collocation data centers with multiple companies requiring access

Aperio Technology

- Fully encrypted AES 128 wireless communication between the KS10 server cabinet lock and Aperio hub ensures data security

- The Aperio wireless hub connects to an access control system with Wiegand wiring plus additional DPS and tamper signal wires
- The Aperio hub should be mounted within 50' of the desired lock location and through two walls or less





ADAMS RITE
A100 Keyless Entry Control
Ideal for aluminum and glass storefront doors



HES
K100 Cabinet Lock
Ideal for cabinets, lockers and drawers—in applications such as healthcare, higher education and IT



HES
KS100 Server Cabinet Lock
Ideal for server cabinets and data centers



MEDECO
M100 eCylinder
Ideal upgrade to existing mechanical door hardware



SARGENT
IN100 Lock
Ideal for institutional and commercial applications



SARGENT
PR100 Lock
Ideal for institutional and commercial applications



SECURITRON
R100 Surface Mounted Wireless Reader
Ideal for full glass, brick, stone and marble entry doors



SECURITRON
AS100 Door Sensor
Ideal for aesthetically demanding doorways

Aperio[®] Wireless possibilities for online access control

Aperio (Latin) / a'pe.ri.o/ – to uncover, open

At ASSA ABLOY, we've uncovered the solution that will open new doors to possibilities for online access control.

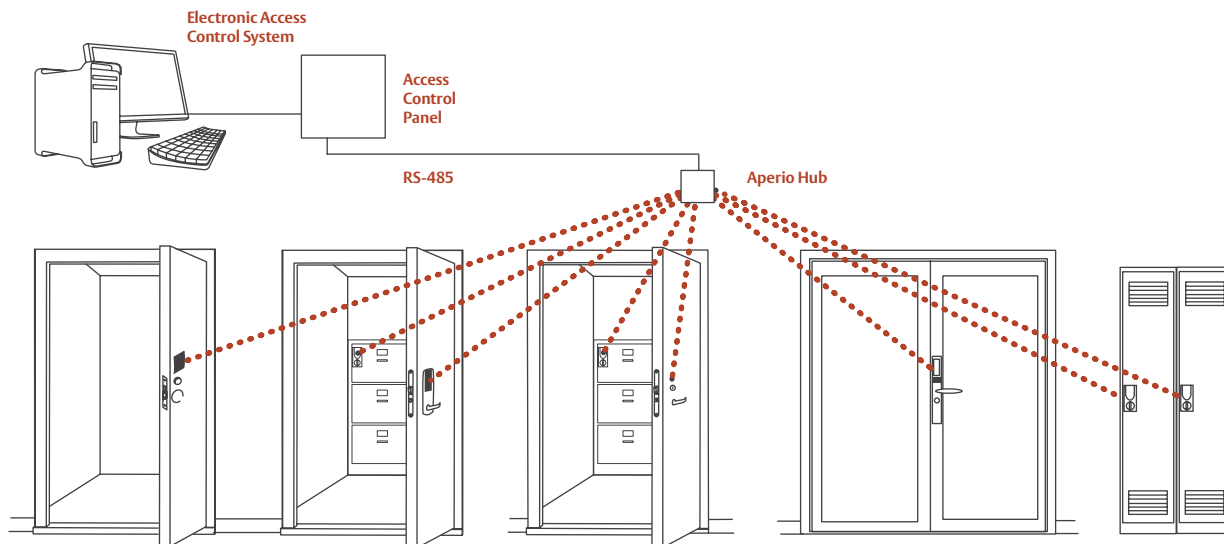
Aperio technology is a global wireless platform that reduces the cost and inconvenience of traditional access control by eliminating wiring at the door.

It utilizes local wireless communication between the lock and a communications hub to connect to an online electronic access control system. This offers facilities an easy, affordable way to expand the reach of existing access control systems and secure additional openings.

Aperio products are available through ASSA ABLOY Authorized Channel Partners.

Visit www.intelligentopenings.com/aperio for more information.

The HES K100 cabinet lock, HES KS100 server cabinet lock, Securitron R100 surface mounted wireless reader and the Adams Rite A100 keyless entry control are now available as single hub and lock kits.



Standard Features

- Utilizes IEEE 802.15.4 wireless communication between the lock and an Apero hub that is connected to the electronic access control system
- Real-time communication with the access control system for greater security and control
- Real-time door status monitoring
- Advanced data security with standard encryption techniques
- AES 128-bit encryption

- Global wireless platform that addresses a wide range of applications and security requirements
- Global Apero technology is ideal for companies who wish to deploy a standard infrastructure across multi-national locations
- Available across a range of locking hardware from ASSA ABLOY Group brands, Apero provides the flexibility to address a variety of applications throughout your facility
- Supports HID® 125 kHz proximity or 13.56 MHz iCLASS® (full authentication, all formats) credentials

Quick, Easy Wireless Deployments

- No complex site surveys
- Minimal field configuration
- Simplified installation at the opening
- Uses existing credentials

General Interest

- Visit ASSA ABLOY America's University to learn more about Apero Integration Certification training which allows configuration of multiple locks on each wireless hub.

www.assaabloyamericasuniversity.com

