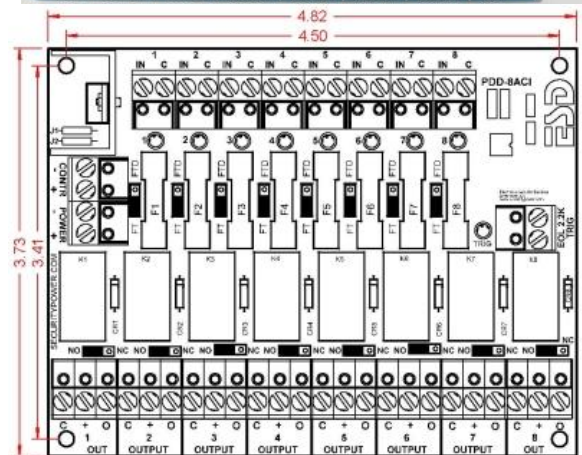
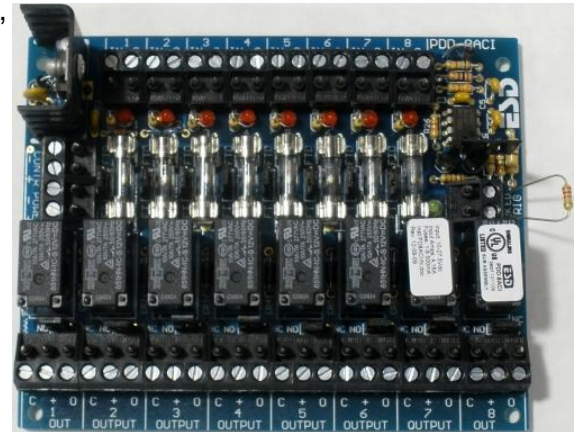


PDB-8C8R Power Distribution for Access Control with Fire Interface module

Controls and Distributes Power with 8 Control Relays with an EOL Fire trigger Interface
 Power Interface for Access Control, CCTV, Fire, HVAC, Elevator, and general low voltage system control

- **Features:**
- **8 Heavy duty Relays with individual Inputs and Status LED's**
- **Each Relay Input can be Activated from Low Current Open Collector, Normally Closed or Normally Open Switch**
- **EOL End of Line Resistor Fire Interface Master Trigger de-energizes all Output Relays that are Enabled**
- **Universal 11 – 27.5Vdc power input**
- **Available with PTC Circuit Breakers**
- **Note: Only the 500mA fuse version of the board has been evaluated by UL**
- **Note: The outputs of the PDD-8C8R are power limited when connected to the AQU243 power-Limited power supply**
- **Each Output may be Individually Configured for:**
 - **Fire Trigger (FT) Enabled or (FTD) Disabled**
 - **N/O or N/C Option Configures the Relay Switched Output**
- **Each Output 1-8 has a protected, continuous Output and a Relay controlled Output**
- **TRG LED Green Indicates Trigger Status**
- **Control Power and Main Lock Power may be Isolated (Separate Power Supplies) at Users Option**
- **Note: Dual/separate power source configuration has not been evaluated by UL and cannot be configured for UL Listed products**
- **All Terminal Blocks are Pluggable by Channel & Function**
- **Made in the USA with a Lifetime Warranty**



Description / Instructions

The PDB-8C8R is a versatile, compact way to distribute and control power for Access Control Systems with Fire Alarm Interface. The PDB-8C8R is an 8 position power distribution board with individual Relays with input (IN) control for each output (OUT). An EOL resistor trigger input (TRIG), will force all output relays to de-energize that are selected (FT). In a typical installation, the TRIG would be connected to a Fire Alarm panel via a set of contacts. When the Fire Alarm trips, all enabled relays would be forced to be de-energized to unlock electric doors, shut down air systems, and or return elevators to ground floor.

Input / Output Terminals, Jumpers and LED

Details and Specifications

Control Power (- CONTR +) Two position un-pluggable terminal block is used to power the coils of the relays. The control voltage must be between 11 and 27.5 Vdc. Each

relay energized will draw 20ma of current. By default, Control Power and Main Power are connected together with jumpers J1 & J2 so no connection would be made here unless you were using Dual/separate power as described below. Note Dual/separate power source configuration has not been evaluated by UL and cannot be configured for UL Listed products.

Main Power (- POWER +) Two position un-pluggable terminal block provides the power to the outputs to be distributed and power to Control through J1 & J2. In a normal application the Power must be between 11 and 27.5 Vdc and would be connected here.

Dual/Separate Power J1 & J2 Jumpers Note Dual/separate power source configuration has not been evaluated by UL and cannot be configured for UL Listed products. J1 Connects (-) Power to (-) Control, J2 Connects (+) Power to (+) Control. By default J1 & J2 are connected together. When J1 & J2 are cut, you must



Securitron Magnalock Corporation
 10027 S. 51st St., Ste. 102
 Phoenix, AZ 85044

Doc.# 500-33055 Rev. B specifications subject to change without notice

ASSA ABLOY, the global leader in door opening solutions.

Phone: (800) MAGLOCK
 customercare@securitron.com
 www.Securitron.com

PDB-8C8R Installation Instructions

supply 11 to 27.5Vdc to Control power, then you may connect any voltage to 32V AC or DC to the Main Power Terminals. See Dual/Separate Power application figure below.

Inputs (1-8 IN C) Eight, two position un-pluggable terminal blocks. When IN & C are shorted together, the like number output relay will energize. Each relay can also be energized by an open collector that is common to the control power, sinking 20ma for each input. Each of the C's (common) are connected to control negative power.

Input LED's (1-8) Whenever an input is active (relay energized) the associated input red LED will illuminate.

FDT/FT (1-8) Jumpers - These are three pin headers adjacent to each fuse with a shunt with handle that shorts the center pin to FTD or FT.

FTD = Fire Trigger Disabled - When selected, the Trigger will not effect that output.

FT = Fire Trigger - When selected Triggering will force that Input Relay to De-Energize.

Outputs (1-8 OUTPUT C, +, O) Eight, Three position un-pluggable terminal blocks. "C" is Power Common and is connected to (- power). "+" is connected to fused (+power) and the relay swing arm. "O" is the relay switched output as selected with N/O or N/C selector jumper

Output Relay Contacts Selector (1-8 NC/NO) Jumpers
These 3 pin headers with shunt selectors are located just above each output which selects whether the N/C or N/O contacts are connected to the "O" switched output terminal. With N/C selected, output would be normally ON, or connected to swing arm. With N/O selected, output would turn ON, or close when input is activated. **Fire Alarm Interface Trigger (2.2K EOL TRIG)** Two position un-pluggable terminal block. This input must see the 2.2K ohm EOL (End Of Line) resistor to be in the normal condition. The EOL is to be placed in a Listed fire alarm panel. See Fig 1 illustrating that shorting or opening the EOL will cause the PDB-8C8R to trigger.

TRIG LED (TRIG) Green LED normally ON. Whenever the Trigger is active the LED will be OFF.

Ordering Information

PDB-8C8R "ACIC" module only with 1.23 Amp PTC's
Not Evaluated by UL

Each ACI takes the space of a standard PDM-8. We do not charge extra for mounting when purchased with a cabinet power supply.

Specifications

Control (-contr+) 11-27.5Vdc @ 160mA
Normally no connection is made here. Note: You must add this current to your total device load calculations to be sure your load will be within the rating of the power supply as configured

Main Power (-power+) 11-27.5Vdc

Note: Must cut J1 & J2 when not using 11-27Vdc power
See Dual/Separate power source configuration Note
Dual/separate power source configuration has not been evaluated by UL and cannot be configured for UL Listed products.

Total Amps would be equal to the total current of the outputs load plus the module draw of 160ma

Rating below are as Evaluated at UL with a AQU243
Larger supplies have more available current.

Fused/Wet Outputs (12v operation):

Max. Output Current 330mA, 12V (each output)
2.64 A (total all outputs)

Fused/Wet Outputs (24V (each output):

Max. Output Current 155mA, 24V (each output):
1.24 A (total all outputs)

Dry Outputs:

Max. Output Current 3A, 30V

As evaluated with UL with 500ma fuses

Terminal blocks un-pluggable 5mm spacing 14-22 awg

Fused Outputs 1-8 500mA

Littlefuse P/N 217.500 20mm replacement

The fused outputs of the PDB-8C8R are power limited when connected to the SPS-3 power-Limited power supply

Output Relays 1-8 Dry Contacts are not to exceed
..... 7A or 100VA

Trigger Input 2.2K EOL

Operating Temperature 0° to +49°C

Mounting Holes (4) 3.4" x 4.5"

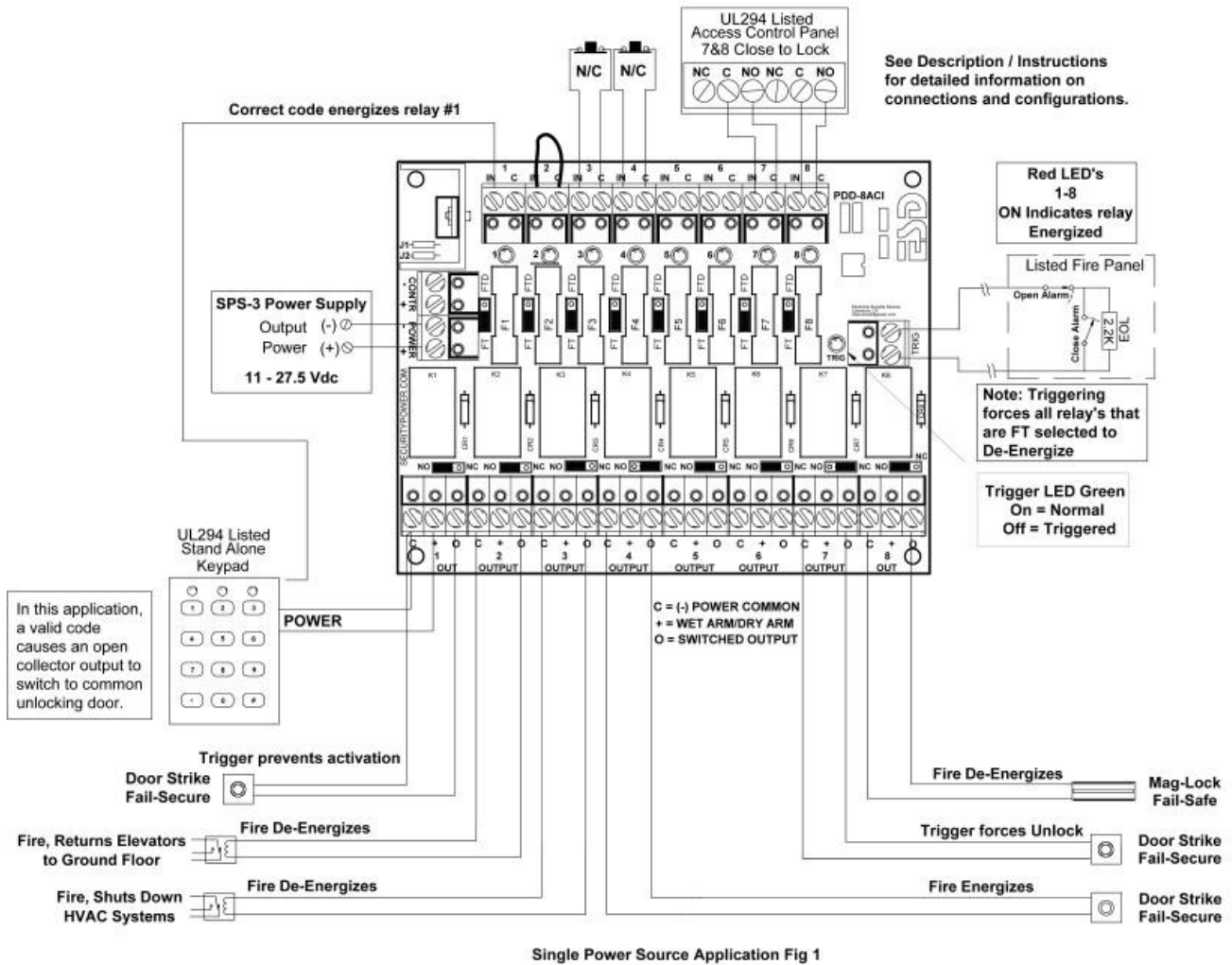
Module Size: 4.82"w x 3.84h x 1.4"d

Weight: 8oz

Mounting Note: Secure 4, #6-32 female/female hex standoffs 7/16" long onto 4, #6-32 studs provided in distribution option space to the right of SPS-3 inside E-1485 cabinet back. Place PDB-8C8R on stand offs with input terminals on top. Secure module with 4, #6-32 x 1/4" pan head screws. No metal hardware should be larger than .28" in Diameter.

PDB-8C8R Installation Instructions

PDB-8C8R Typical Applications Single Power Source Application Fig 1



Single Power Source Application Fig 1

Dual/Separate Power Supplies Fig 3

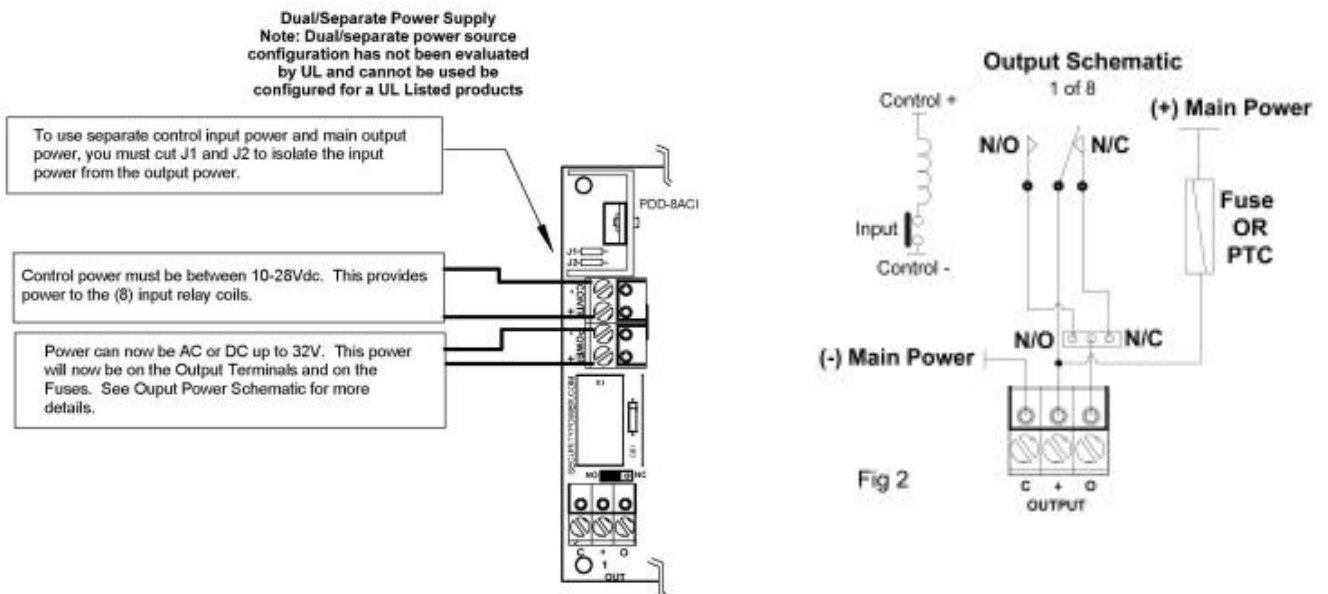


Fig 2