

## SECURITRON MODEL SLP-4 STATION LIGHT PANEL INSTALLATION AND OPERATING INSTRUCTIONS

### 1. DESCRIPTION

The SLP-4 is a simple control and monitoring station for up to **four electric locks**. It mounts four alternate action push button switches on a double gang wall plate. Each switch serves to release or secure the associated electric lock and red and green indicator lights **monitor the individual status of the lock or zone**. The SLP-4 will operate on either **12 or 24 VDC**.

### 2. WIRING

#### 2.1 FAIL SAFE LOCKS

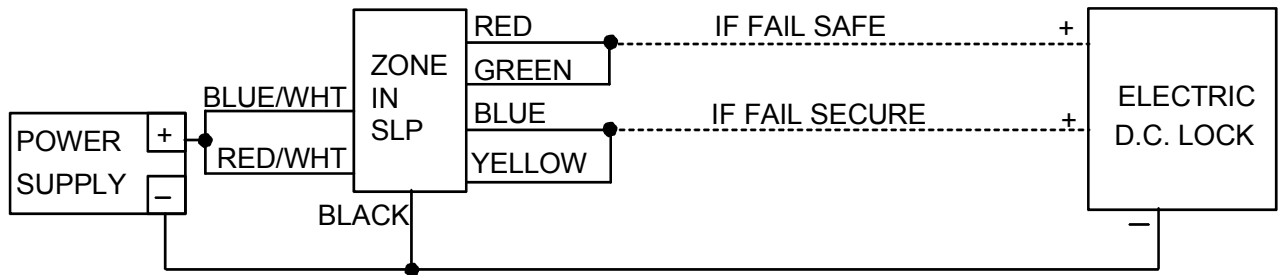
Fail Safe locks are secure when they are powered. The most common type of fail safe lock is the electromagnetic lock which includes **Securitron's Magnalock series**. The typical wiring scheme employs each switch to secure and release the lock and employs the monitoring lights to show **green equaling secure** and **red equaling released**. While "standard" two wire locks have no means of reporting to the panel that they are secure, more sophisticated locks will include separate means for reporting secure called a "lock status sensor". Note that it is also possible for multiple locks to be controlled by a single switch as a "zone". This is most commonly seen on a double door which mounts two locks. In the case of a multiple lock control zone, which includes status reporting, the green light will come on when all locks in the zone are reporting secure and the red light will come on if any lock in the zone is not reporting secure. The means that is employed to show that a lock or zone is secure could also be from a door status switch which indicates that the door is closed but not necessarily locked.

#### 2.2 FAIL SECURE LOCKS

Fail Secure locks are secure when they are not being powered. The most common type of fail safe lock is the electric strike which includes **Securitron's UnLatch** series (although electric strikes are also available in fail safe versions). The typical wiring scheme employs each switch to secure and release the lock and employs the monitoring lights to show **green equaling secure** and **red equaling released**. While "standard" two wire locks have no means of reporting to the panel that they are secure, more sophisticated locks will include separate means for reporting secure called a "lock status sensor". Note that it is also possible for multiple locks to be controlled by a single switch as a "zone". This is most commonly seen on a double door which mounts two locks. In the case of a multiple lock control zone, which includes status reporting, the green light will come on when all locks in the zone are reporting secure and the red light will come on if any lock in the zone is not reporting secure. The means that is employed to show that a lock or zone is secure could also be from a door status switch which indicates that the door is closed but not necessarily locked.

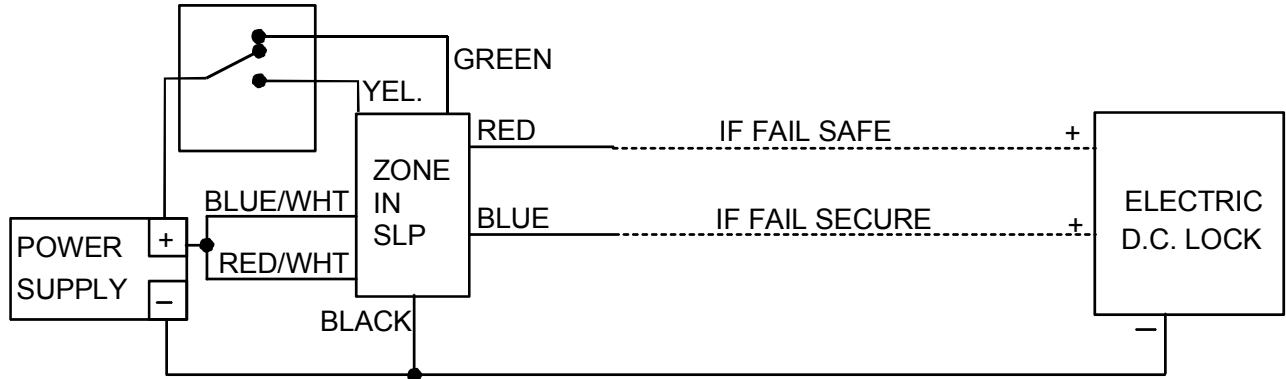
Figure 1 shows typical wiring for a single zone of the SLP-4 for either a fail safe or fail secure lock where there is no lock status sensor. With this method the green light comes on when the lock "should" be secure in terms of it receiving power (fail safe) or not receiving power (fail secure). Note that the power supply must be 12 or 24 VDC and must match the power requirement of the lock. Figure 2 shows the same typical wiring with a lock or door status sensor. In this application, the green light comes on when the door/lock is reporting secure. Note that the depiction of the door or lock status sensor shows dry SPDT contacts which are in the condition they would be for a secure zone. If your status switch has only a single pole where closed = secure, tie the yellow wire to the blue wire to illuminate the red LED when the zone is not secure.

**FIG. 1: TYPICAL WIRING WITHOUT STATUS SENSOR**



**FIG. 2: TYPICAL WIRING WITH STATUS SENSOR**

DOOR/LOCK STATUS SWITCH (SHOWN IN SECURE CONDITION)



**2.3 SETTING LAMP VOLTAGE**

Resistors are installed so that the lamps may be operated on either 12 or 24 VDC. The yellow wire on the rear of each red LED drives it and the green wire on the rear of each switch drives the green LED which illuminates the rectangular face of the switch. The yellow wire has a single resistor soldered in line and the green wire has two resistors soldered in line. If the power supply is 24 VDC, connect directly to the wires. If the power supply is 12 VDC, remove the resistor on the yellow wire and the outer resistor on the green wire for proper operation at the lower voltage.

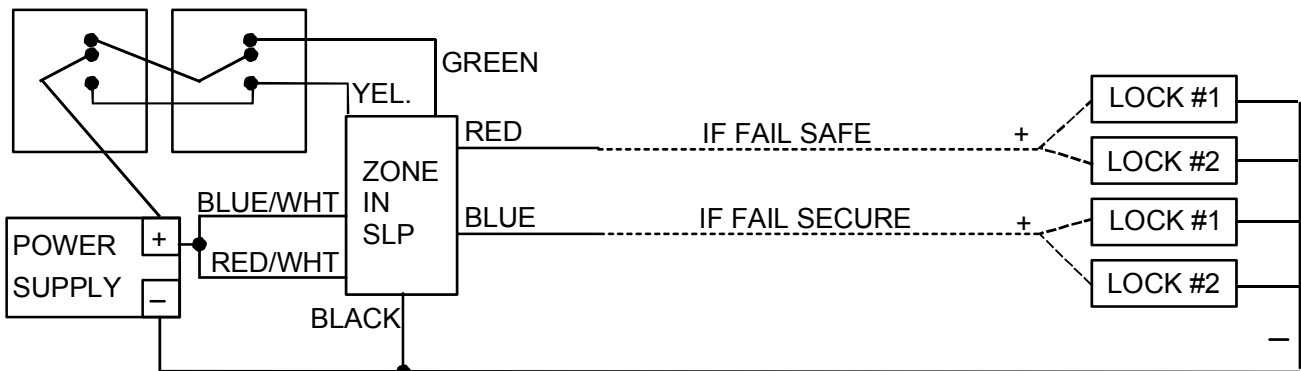
The green indicator draws 30 mA and the red indicator draws 20 mA at either voltage. For replacement: the red LED is Arcoelectric part #LE67WL3900 or Securitron part number 700-10095 and the green LED is NKK part #AT620F or Securitron part number 030-10650. The green lamp is replaced by pulling the green lens forward and removing the LED from the switch base assembly.

**2.4 MULTIPLE LOCKS CONTROLLED BY ONE ZONE**

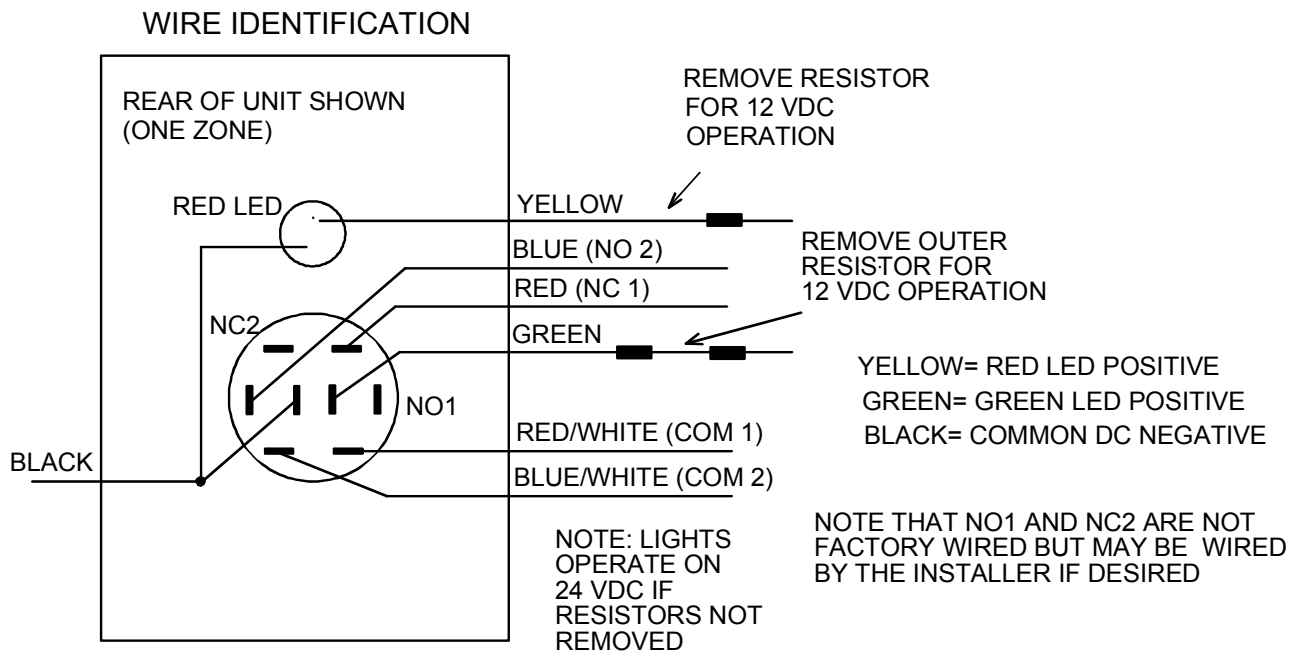
As discussed earlier, it is common to put more than one lock on a control zone. With status sensing, the green indicator will come on only when all locks in the zone are reporting secure. To accomplish this, the locks are operated in parallel but the status switches are connected to the green indicator in series. See Figure 3.

**FIG. 3: TWO LOCKS WITH STATUS SENSOR CONTROLLED BY SINGLE ZONE**

DOOR/LOCK STATUS SWITCHES (SHOWN IN SECURE CONDITION)



**FIG. 4: ZONE WIRE IDENTIFICATION**



**2.5 ZONE WIRE IDENTIFICATION (SCHEMATIC)**

The SLP-4 can be used for other applications. To facilitate this, Figure 4 shows the schematic meaning of the connection points on each switch and associated red LED. Note that as pre-wired, each switch offers DPST contacts (normally open and normally closed). However, for special applications, the installer can solder additional wires to obtain full DPDT operation from each switch.

**MAGNACARE® LIMITED LIFETIME WARRANTY**

SECURITRON MAGNALOCK CORPORATION warrants that it will replace at customer's request, at any time for any reason, products manufactured and branded by SECURITRON.

SECURITRON will use its best efforts to ship a replacement product by next day air freight at no cost to the customer within 24 hours of SECURITRON's receipt of the product from customer. If the customer has an account with SECURITRON or a valid credit card, the customer may order an advance replacement product, whereby SECURITRON will charge the customer's account for the price of the product plus next day air freight, and will credit back to the customer the full amount of the charge, including outbound freight, upon SECURITRON's receipt of the original product from the customer.

SECURITRON's sole and exclusive liability, and customer's sole remedy, is limited to the replacement of the SECURITRON product when delivered to SECURITRON's facility (freight and insurance charges prepaid by customer). The replacement, at SECURITRON's sole option, may be the identical item or a newer unit which serves as a functional replacement. In the event that the product type has become obsolete in SECURITRON's product line, this MAGNACARE warranty will not apply. This MAGNACARE warranty also does not apply to custom, built to order, or non-catalog items, items made by others (such as batteries), returns for payment, distributor stock reductions, returns seeking replacement with anything other than the identical product, or products installed outside of the United States or Canada. This MAGNACARE warranty also does not apply to removal or installation costs.

SECURITRON will not be liable to the purchaser, the customer or anyone else for incidental or consequential damages arising from any defect in, or malfunction of, its products. SECURITRON does not assume any responsibility for damage or injury to person or property due to improper care, storage, handling, abuse, misuse, or an act of God.

EXCEPT AS STATED ABOVE, SECURITRON MAKES NO WARRANTIES, EITHER EXPRESS OR IMPLIED, AS TO ANY MATTER WHATSOEVER, INCLUDING WITHOUT LIMITATION THE CONDITION OF ITS PRODUCTS, THEIR MERCHANTABILITY OR FITNESS FOR ANY PARTICULAR PURPOSE.