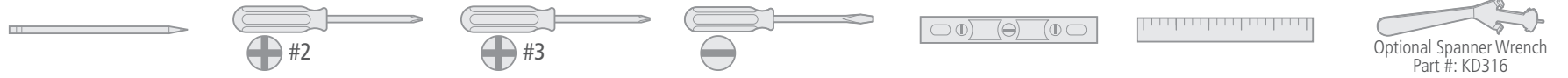
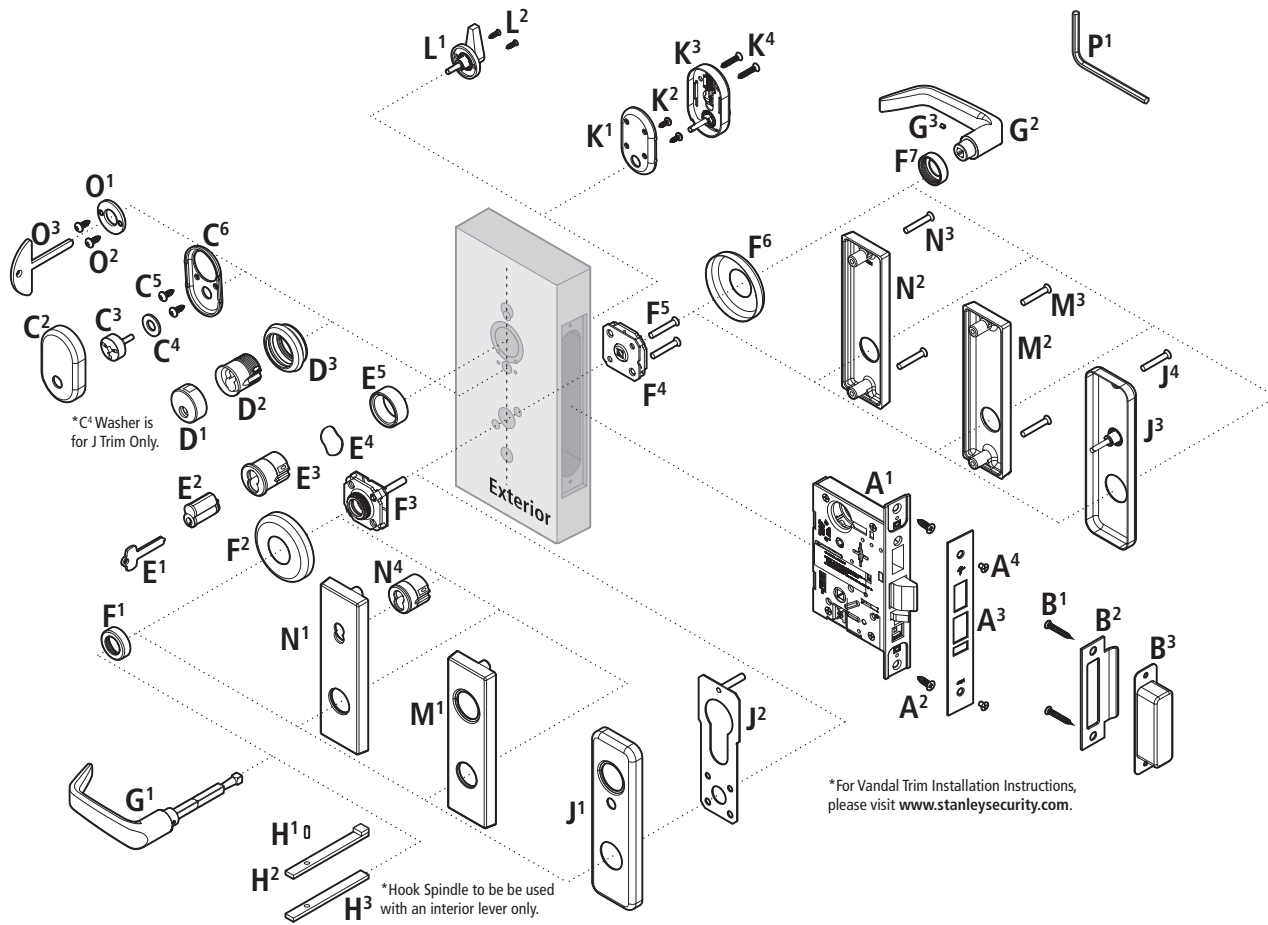


## Tools Needed



PART	DESCRIPTION	PART	DESCRIPTION
A <sup>1</sup>	Mortise Lock	N <sup>4</sup>	Exterior N Trim Cylinder
A <sup>2</sup>	Mortise Lock Screw	O <sup>1</sup>	Emergency Access Rose
A <sup>3</sup>	Faceplate	O <sup>2</sup>	Rose Screw
A <sup>4</sup>	Faceplate Screw	O <sup>3</sup>	Emergency Access Key
B <sup>1</sup>	Strike Screw	P <sup>1</sup>	Hex Wrench
B <sup>2</sup>	Strike		
B <sup>3</sup>	Strike Box		
C <sup>2</sup>	Visual Indicator Faceplate		
C <sup>3</sup>	Visual Indicator		
C <sup>4</sup>	J Trim Washer		
C <sup>5</sup>	Visual Indicator Screw		
C <sup>6</sup>	Visual Indicator Mounting Bracket		
D <sup>1</sup>	High Security Cylinder Face		
D <sup>2</sup>	High Security Cylinder		
D <sup>3</sup>	High Security Cylinder Ring		
E <sup>1</sup>	Control Key		
E <sup>2</sup>	Core		
E <sup>3</sup>	Standard Cylinder		
E <sup>4</sup>	Cylinder Washer		
E <sup>5</sup>	Cylinder Ring		
F <sup>1</sup>	Trim Ring		
F <sup>2</sup>	Rose		
F <sup>3</sup>	Trim Cassette		
F <sup>4</sup>	Interior Trim Cassette		
F <sup>5</sup>	Trim Cassette Screw		
F <sup>6</sup>	Interior Rose		
F <sup>7</sup>	Interior Trim Ring		
G <sup>1</sup>	Exterior Lever		
G <sup>2</sup>	Interior Lever		
G <sup>3</sup>	Interior Lever Set Screw		
H <sup>1</sup>	Pin		
H <sup>2</sup>	Upper Hook Spindle		
H <sup>3</sup>	Lower Hook Spindle		
J <sup>1</sup>	Exterior J Trim		
J <sup>2</sup>	Alignment Plate		
J <sup>3</sup>	Interior J Trim		
J <sup>4</sup>	J Trim Mounting Screw		
K <sup>1</sup>	VIT Mounting Bracket		
K <sup>2</sup>	VIT Screw		
K <sup>3</sup>	VIT Assembly		
K <sup>4</sup>	VIT Assembly Screw		
L <sup>1</sup>	Thumb Turn		
L <sup>2</sup>	Thumb Turn Screw		
M <sup>1</sup>	Exterior M Trim		
M <sup>2</sup>	Interior M Trim		
M <sup>3</sup>	M Trim Mounting Screw		
N <sup>1</sup>	Exterior N Trim		
N <sup>2</sup>	Interior N Trim		
N <sup>3</sup>	N Trim Mounting Screw		

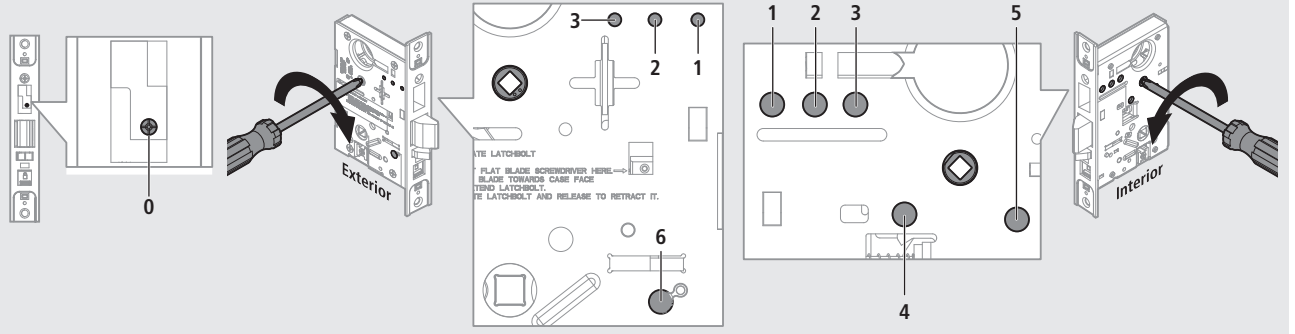


FUNCTION	TYPE
A	Office Lock
AB	Office Lock
AT	Office Lock
B	Entrance Lock
BA	Entrance Lock
BW	Entrance or Storeroom Lock
D	Storeroom Lock
H	Hotel Lock Indicator
HJ	Hotel Lock
R	Classroom Lock
RHB	Classroom Holdback Lock
T	Dormitory Lock
TA	Dormitory Lock
TD	Dormitory Lock
C	Public Entrance Lock
CHB	Holdback Lock
G	Communicating Lock
INA	Intruder Lock
IND	Intruder Lock
INL	Intruder Lock
S	Storeroom Lock
W	Storeroom Lock
AD	Deadlock Lock
RD	Classroom Deadlock
WD	Deadlock
YD	Deadlock
L	Privacy Lock
LB	Privacy Lock
LT	Privacy Lock
N	Passage Lock
NX	Exit Lock
1DT	Single Dummy Lock
2DT	Double Dummy Lock
B5	Entrance Lock
B7	Entrance Lock
XR	Classroom Lock-less exterior lever
ZD	Storeroom Lock-less interior lever
DEL	Electrically Locked-Fail Safe Lock
DEU	Electrically Unlocked-Fail Secure Lock
LEL	Electrically Locked-Fail Safe Lock
LEU	Electrically Unlocked-Fail Secure Lock
NXEL	Electrically Locked-Fail Safe Lock
NXEU	Electrically Unlocked-Fail Secure Lock
TDEL	Electrically Locked-Fail Safe Lock
TDEU	Electrically Unlocked-Fail Secure Lock
TWEL	Electrically Locked-Fail Safe Lock
TWEU	Electrically Unlocked-Fail Secure Lock
WEL	Electrically Locked-Fail Safe Lock
WEU	Electrically Unlocked-Fail Secure Lock

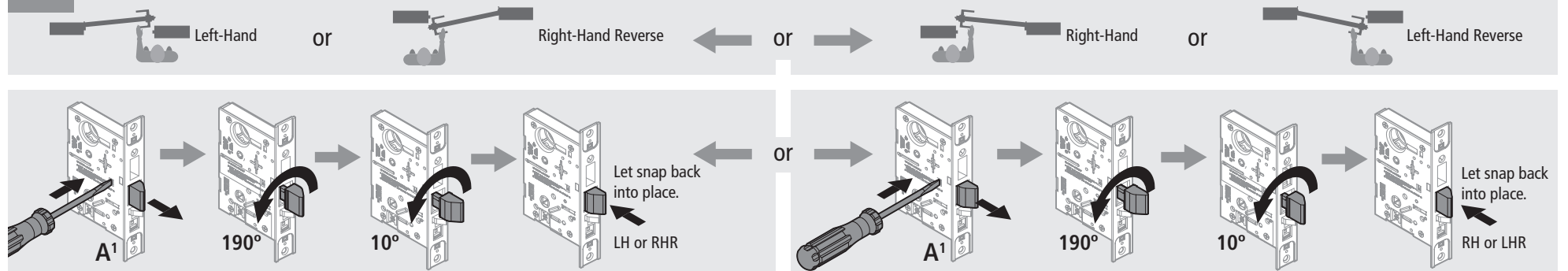
## 1 ⚠️ UNR Functions Only

Rotate the shuttle to the position according to your function and insert a stop screw.

Functions	Install Shuttle Screw Positions	Remove Shuttle Screw Positions
A	0, 2, 4	1, 3, 5, 6
AT, R	0, 5, 6	1, 2, 3, 4
D, NX	3, 5, 6	0, 1, 2, 4
N	1, 5, 6	0, 2, 3, 4

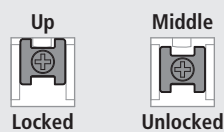


## 2 Determine Door Handing and change latch bolt handing if it does not match door handing.



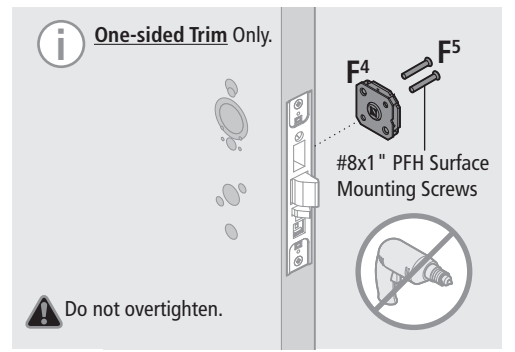
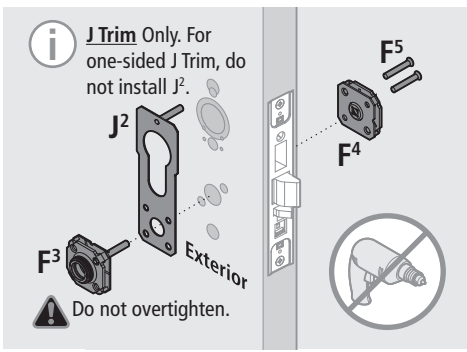
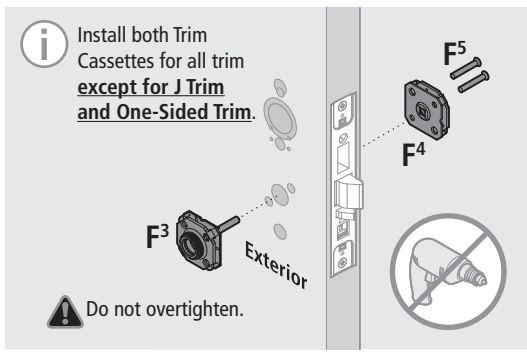
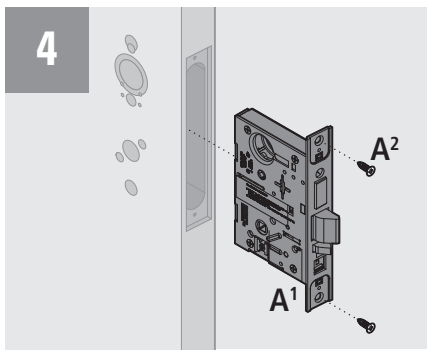
## 3 Position Hub Toggles (if necessary).

⚠️ Make sure that the Mortise is locked before adjusting the Hub Toggles.

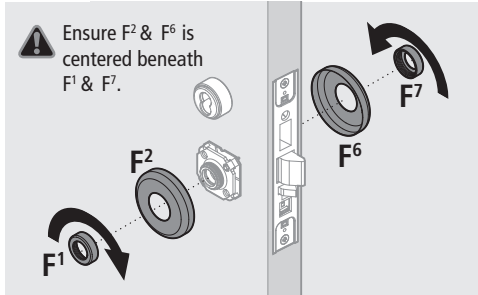
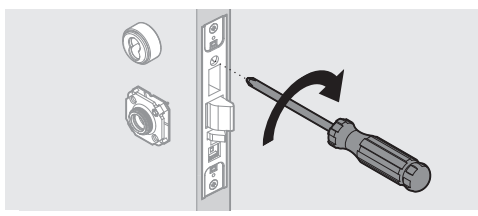
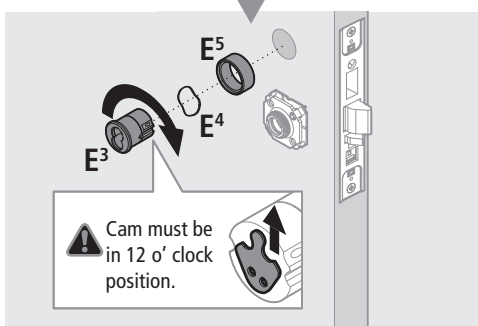


⚠️ Setting the hub toggles incorrectly can trap people in the room.

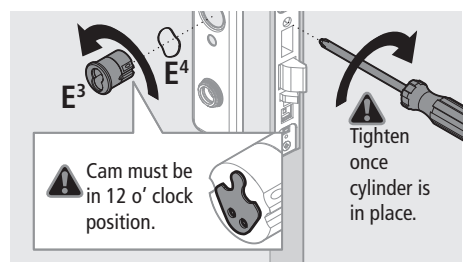
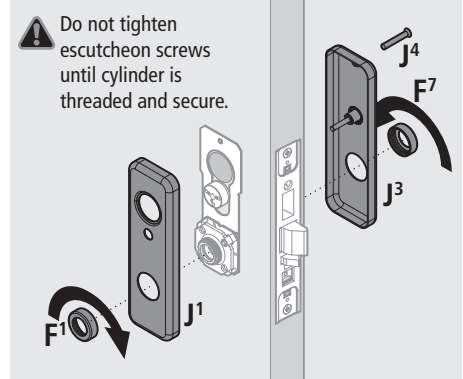
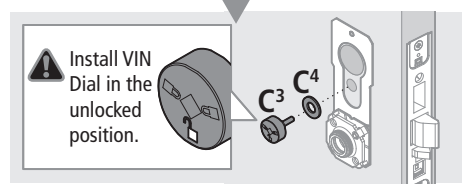
Function	Type	Function	Type	Function	Type
A, AB, AT, BA, C CHB, D, H, HJ, IND, INL, L, LT, NX, R, RHB, S, T, TA, TD, X, XR, ZD	Exterior: Up (locked) Interior: Middle (always unlocked)	B, BW, B5, B7, G, LB, W	Both Up	Both Middle	Both Middle



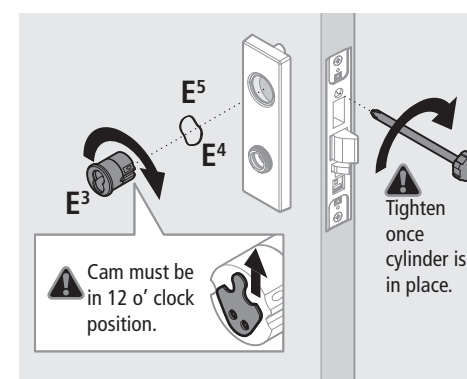
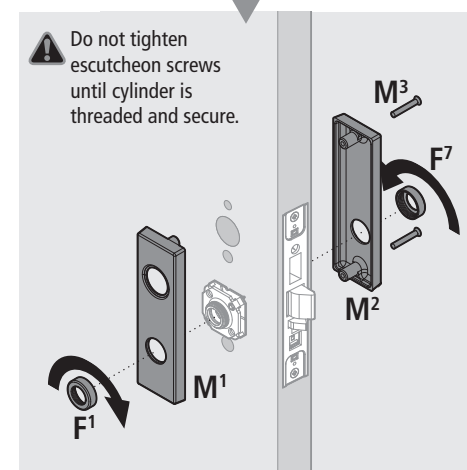
**5** Sectional Trim



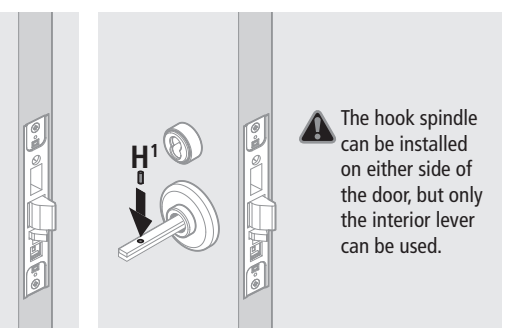
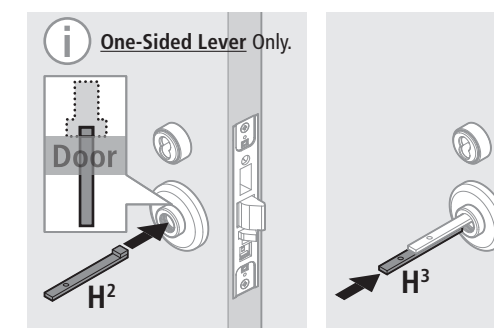
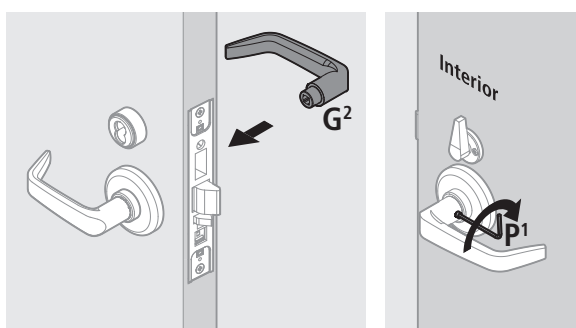
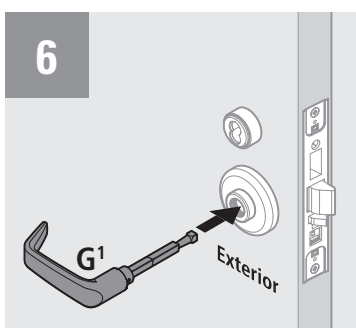
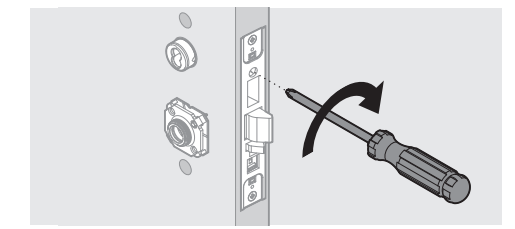
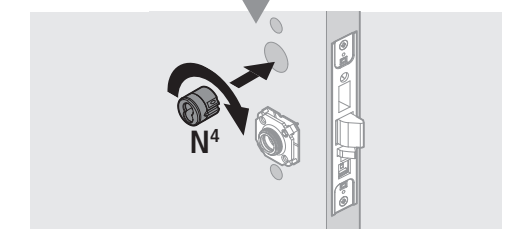
**J Trim**



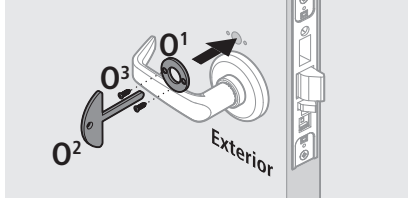
**M Trim**



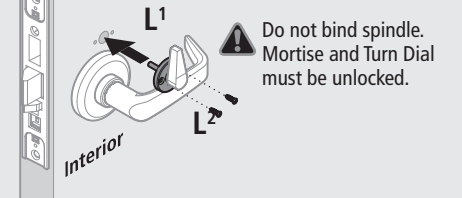
**N Trim**



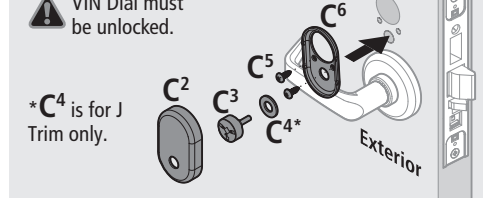
**7** **i** **Emergency Access Key Only.**



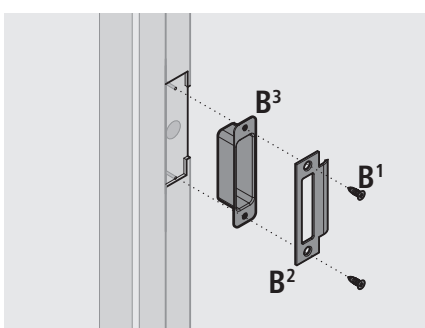
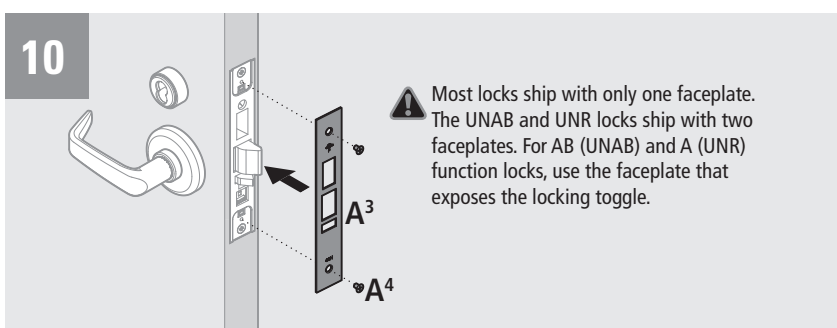
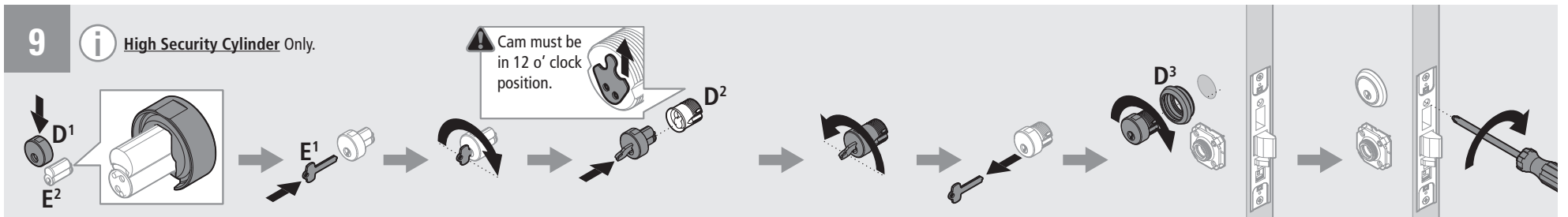
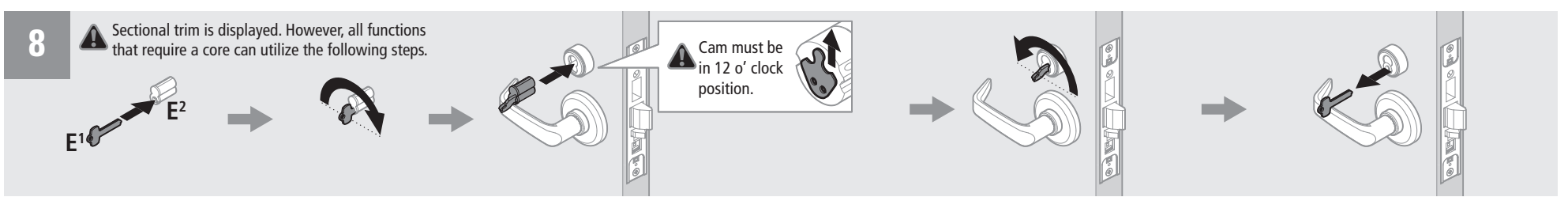
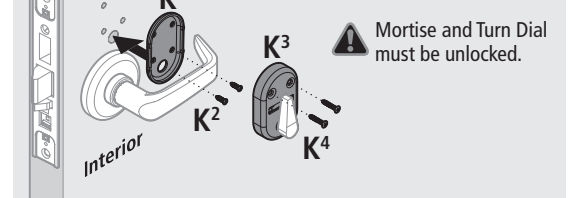
**i** **Thumb Turn Only.**



**i** **Visual Indicator Trim Only.**



**i** **Visual Indicator Thumb Turn Only.**



- Check Operation:**
- Door latches and opens properly
  - Deadbolt operates properly
  - Visual indicator and visual indicator thumb turn operates properly
  - Thumb turn operates properly
  - Key access works
  - Door gap is 1/8" (3.175 mm)
  - Auxiliary bolt is held inside the case when the door is closed

For assistance or warranty information:  
Call 1-855-365-2407 or visit  
[www.stanleysecurity.com](http://www.stanleysecurity.com)

Si desea ayuda o información sobre la garantía:  
llame al 1-855-365-2407 o visite  
[www.stanleysecurity.com](http://www.stanleysecurity.com)

Pour de l'aide ou des informations sur la garantie:  
Veuillez appeler le 1-855-365-2407 ou visiter  
[www.stanleysecurity.com](http://www.stanleysecurity.com)

**Warning:** This Manufacturer advises that no lock can provide complete security by itself. This lock may be defeated by forcible or technical means, or evaded by entry elsewhere on the property. No lock can substitute for caution, awareness of your environment, and common sense. Builder's hardware is available in multiple performance grades to suit the application. In order to enhance security and reduce risk, you should consult a qualified locksmith or other security professional.

**Advertencia:** Este fabricante debe saber que no hay cerraduras que puedan proporcionar seguridad completa por sí mismas. Esta cerradura puede fallar forzandola o utilizando medios técnicos o entrando por otra parte del edificio. No hay cerraduras que puedan sustituir precaución, estar al tanto de su entorno y sentido común. Este fabricante también ofrece cerraduras de diferentes grados y rendimientos para ajustarse a su aplicación. Para mejorar la seguridad y reducir riesgos, usted debe consultar con un cerrajero especializado u otro profesional de seguridad.

**Advertissement:** Le fabricant tient à vous aviser qu'aucun verrou ne peut à lui seul offrir une sécurité complète. Ce verrou peut être mis hors d'état par la force ou des moyens techniques ou être évité par l'utilisation d'une autre entrée sur la propriété. Aucun verrou ne peut remplacer la surveillance de votre environnement et le bon sens. La quincaillerie pour le constructeur est offerte selon différents grades de performance pour différentes applications. Afin d'augmenter la sécurité et de réduire le risque, vous devez consulter un serrurier qualifié ou un autre professionnel de la sécurité.