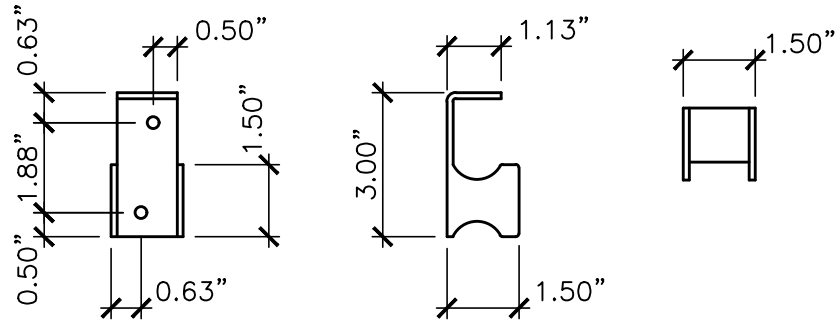
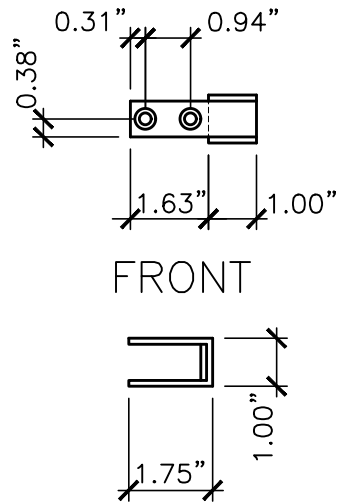


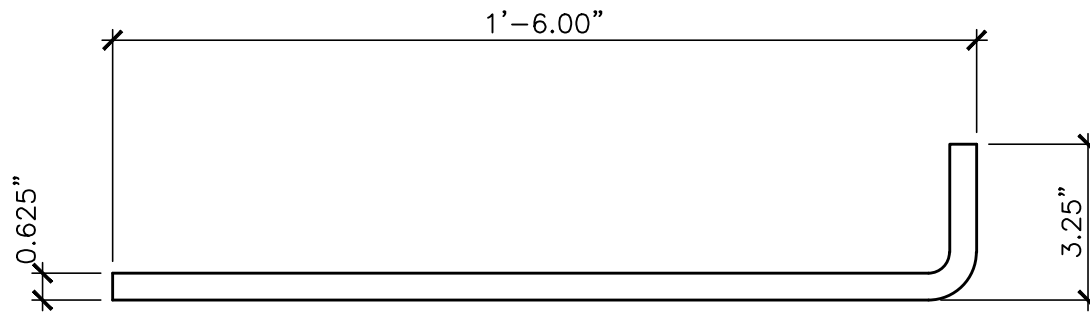
FRONT TOP
GUIDE
BRACKET X2



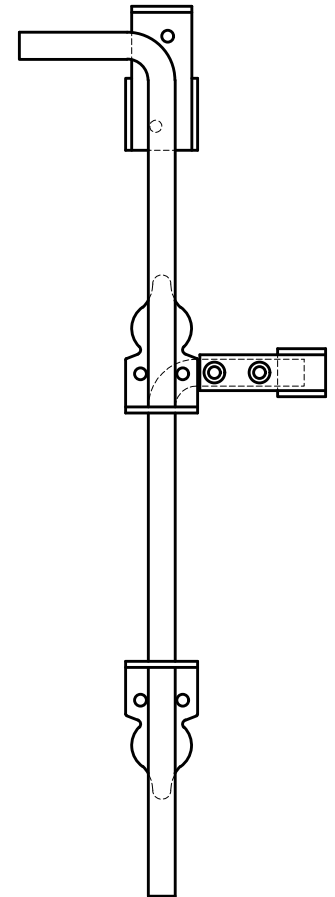
FRONT SIDE TOP
RETAINER



FRONT
SIDE
LOCKING
BRACKET

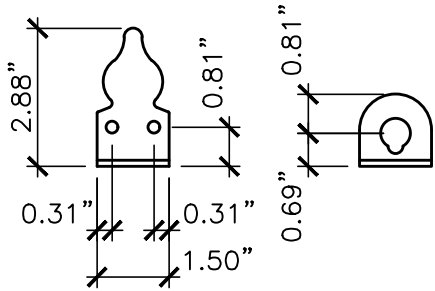


FRONT
BOLT

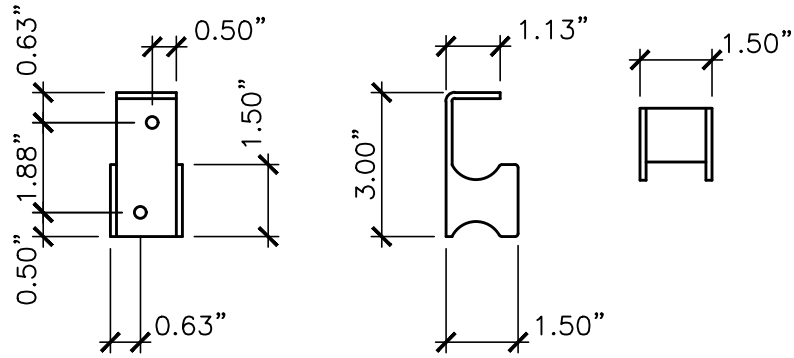


FRONT
ASSEMBLED

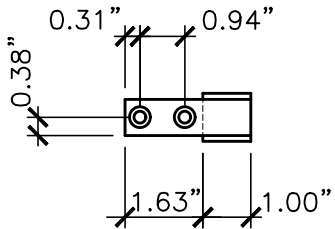
<p>PROPERTY OF: SNUG COTTAGE HARDWARE LLC MARYSVILLE MI. 48040</p>	<p>PRODUCT DESCRIPTION: 18" STAINLESS STEEL CANE BOLT ALL DIMENSIONS $\pm 0.125"$</p>	<p>PART NUMBER: 4096-18SS/18SC</p>
--	--	--



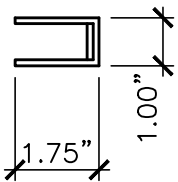
FRONT TOP
GUIDE BRACKET X2



FRONT SIDE TOP
RETAINER

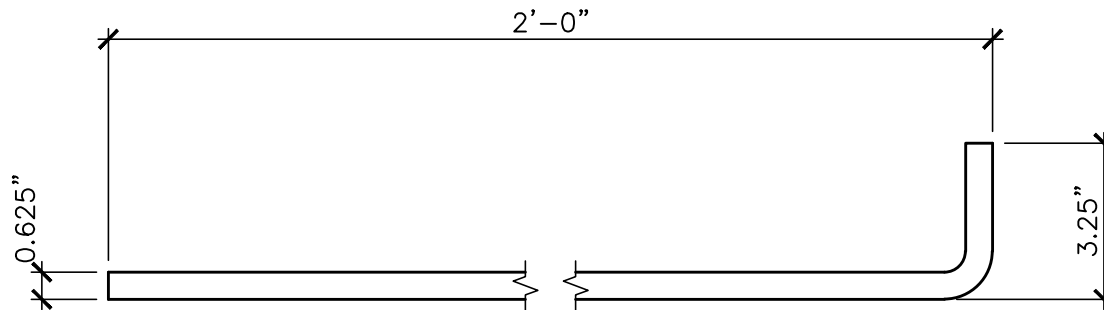


FRONT



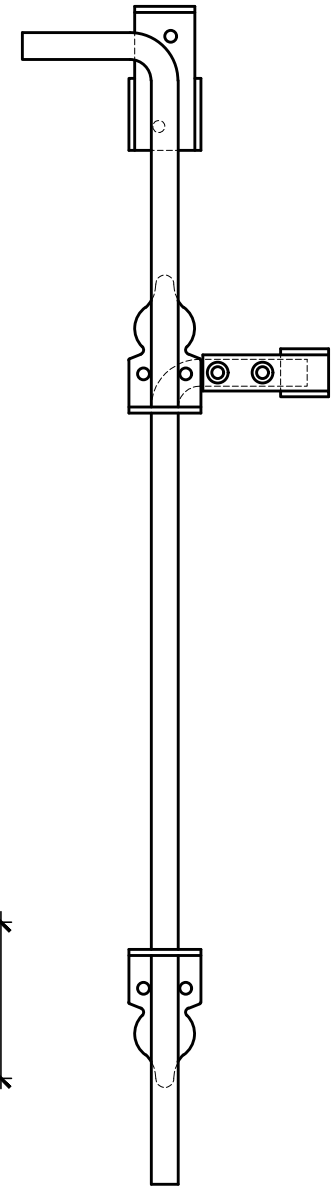
SIDE

LOCKING BRACKET



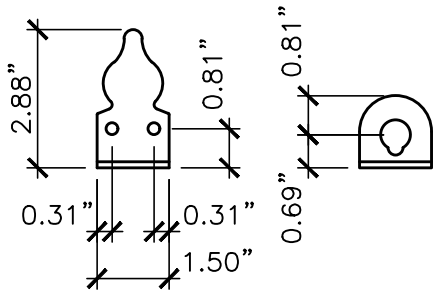
FRONT

BOLT

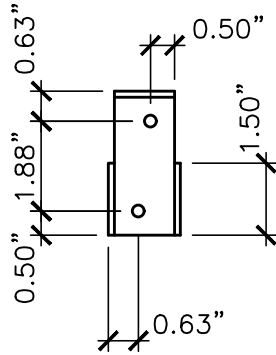


FRONT ASSEMBLED

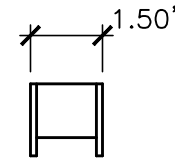
<p>PROPERTY OF: SNUG COTTAGE HARDWARE LLC MARYSVILLE MI. 48040</p>	<p>PRODUCT DESCRIPTION: 24" STAINLESS STEEL CANE BOLT ALL DIMENSIONS $\pm 0.125"$</p>	<p>PART NUMBER: 4096-24SS/24SC</p>
--	--	--



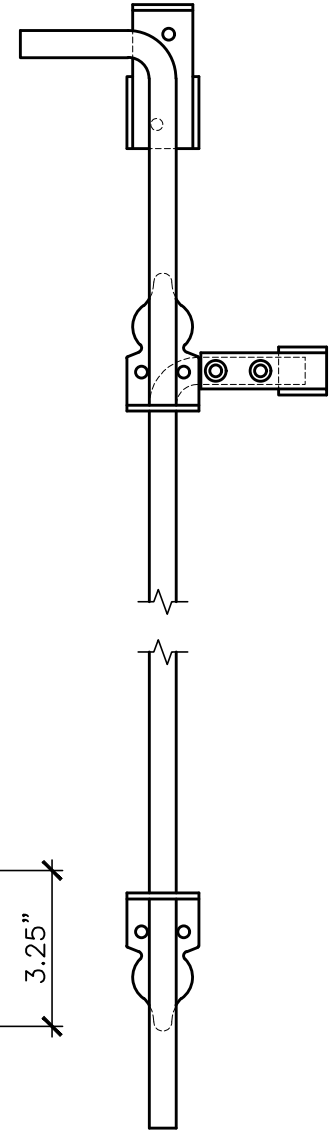
FRONT TOP
GUIDE
BRACKET X2



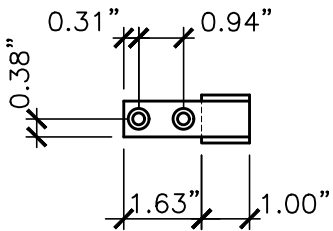
FRONT SIDE
RETAINER



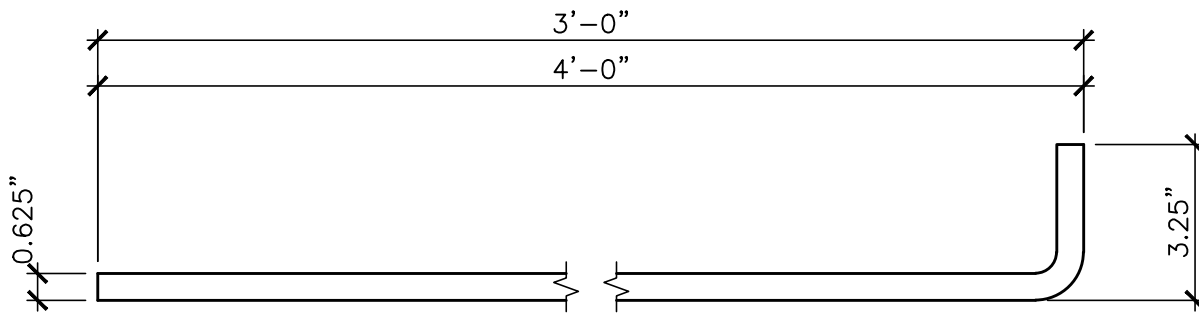
TOP



FRONT ASSEMBLED



FRONT SIDE
LOCKING
BRACKET



FRONT
BOLT

<p>PROPERTY OF: SNUG COTTAGE HARDWARE LLC MARYSVILLE MI. 48040</p>	<p>PRODUCT DESCRIPTION: 36" AND 46" STAINLESS STEEL CANE BOLT ALL DIMENSIONS $\pm 0.125"$</p>	<p>PART NUMBER: 4096-36SS/48SS</p>
--	--	--