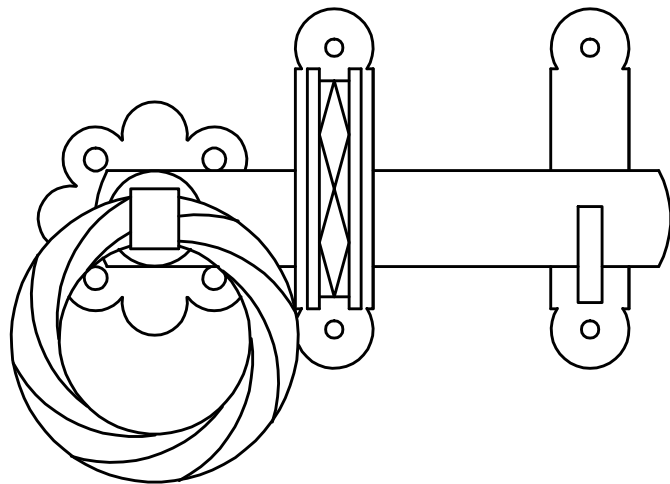
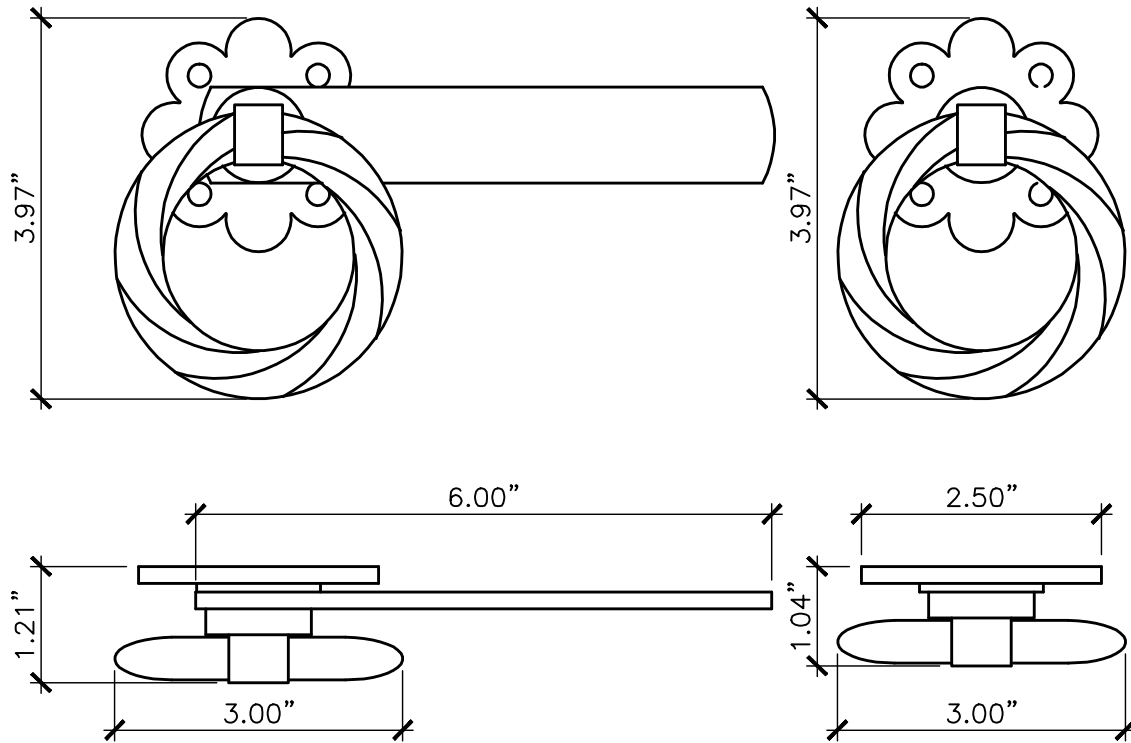


TOP ASSEMBLED



FRONT ASSEMBLED



<p>PROPERTY OF: SNUG COTTAGE HARDWARE LLC MARYSVILLE MI. 48040</p>	<p>PRODUCT DESCRIPTION: TWISTED RING GATE LATCH FLUSH MOUNTED ALL DIMENSIONS $\pm 0.125"$</p>	<p>PART NUMBER: 4149- L6SP/LESP/062</p>
--	--	---