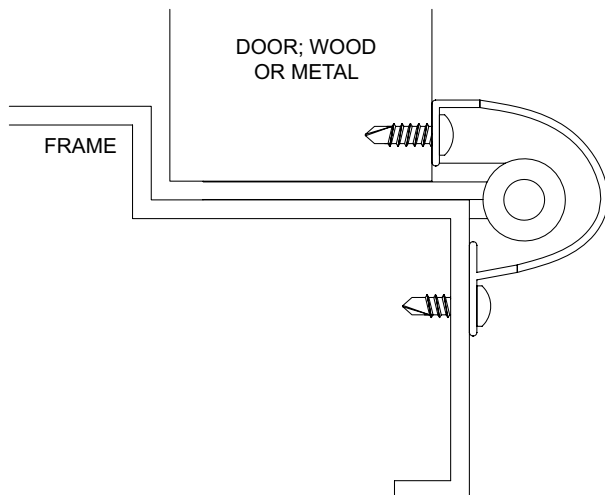




Hinge Side Finger Guard #2252

National Guard Products Hinge Side Finger Guard is designed to help prevent injury to children and others by protecting finger injury from occurring on the hinge side of the door edge. This unique product is made of flexible vinyl with a rigid thermoplastic base, and is 83" in length that can be field cut to accommodate any of your door opening needs.

Available in Brown, Charcoal and White.
Warrantied for 5 years regardless of the amount of cycles it performs. This product can be used on fire rated openings; UL listed for use on fire doors rated up to 3 hours on metal doors and 1-1/2 hours on wood doors.



Sample Request

If you would like to see a sample of this product to review with an Architect on an upcoming project, please email us at info@ngpinc.com and tell us which color works best on your project!

2252B Brown	6" Sample
2252C Charcoal	6" Sample
2252W White	6" Sample